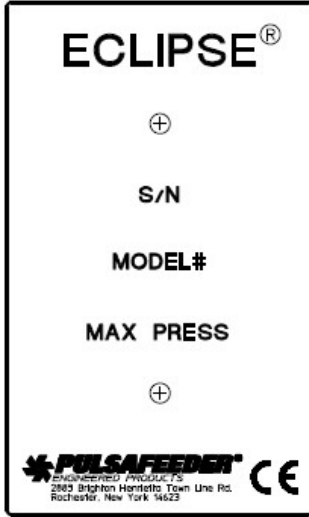


# E25 / EH25 Eclipse Pump Non-metallic

## Pump Namplate



## Eclipse Model Structure

1	2/3	4	5	6	7	8	9
E	25					-	

## Pump Model Identification

Position	Code	Specifies	Options
1	E EH	Model	E – Eclipse EH- Eclipse Hypo
2 and 3	25	Pump Size	25 – Max. Capacity 7.4 gpm (28.0 lpm)
4	N	Housing Material	N – PVDF, FLANGED
5	L, B	Bearings	L – Carbon B – Silicon Carbide
6	V, E, K	O-rings	V – Viton E – EPDM K – Perfluorelastomer
7	F, O, K L, P, R, Y	Motor Mounting	F – NEMA 56C O – NEMA 143/5TC-182/4C K – IEC 80 B3/B14 L – IEC 90 B3/B14 P – IEC 100/112 B3/B14 R – NEMA 182TC-184TC Y – No Motor Mounting Kit
8	-		Dash

## Pump Model Identification - Continued

Position	Code	Specifies	Options
9	X, A, N,B	<p><b>X</b> – Ceramic shafts and Teflon gears</p> <p><b>A</b>- Bearing Flush Port (1x 1/8” FNPT / BSPT Connection located in the center front cover)</p> <p><b>N</b> – Pump Wet End Only</p> <p><b>B</b>- Combination Of 9th Position Options “A” AND “N”</p> <p><b>X-ATEX</b>- Standard Pump with ATEX Directive - CE-EX II 2G T6 II 2D T6</p> <p><b>A-ATEX</b> - Bearing Flush with ATEX Directive - CE Ex II 2G T6 II 2D T6</p> <p><b>N-ATEX</b> - Wet end only with ATEX Directive - CE-EX II 2G T6 II 2D T6</p> <p><b>B-ATEX</b> -Wet End Only and Bearing Flush with ATEX Directive - CE Ex II 2G T6 II 2D</p>	

# KOPkit Part Number Identification

## Eclipse KOP kit Structure

1	2/3	4	5	6	Suffix
E	25				-

Position	Code	Specifies	Options
1	E EH	Model	E – Eclipse EH- Eclipse Hypo
2 and 3	25	Pump Size	25 – Max. Capacity 7.4 gpm (28 lpm)
4	X	Housing Material	X – All Non-Metallic pumps
5	L, B	Bearings	L – Carbon B – Silicon Carbide
6	V, E, K	O-rings	V – Viton E – EPDM K – Perfluorelastomer
Suffix	LTE, STD PRO		

### KOPKit Suffix Selection Bills of Material

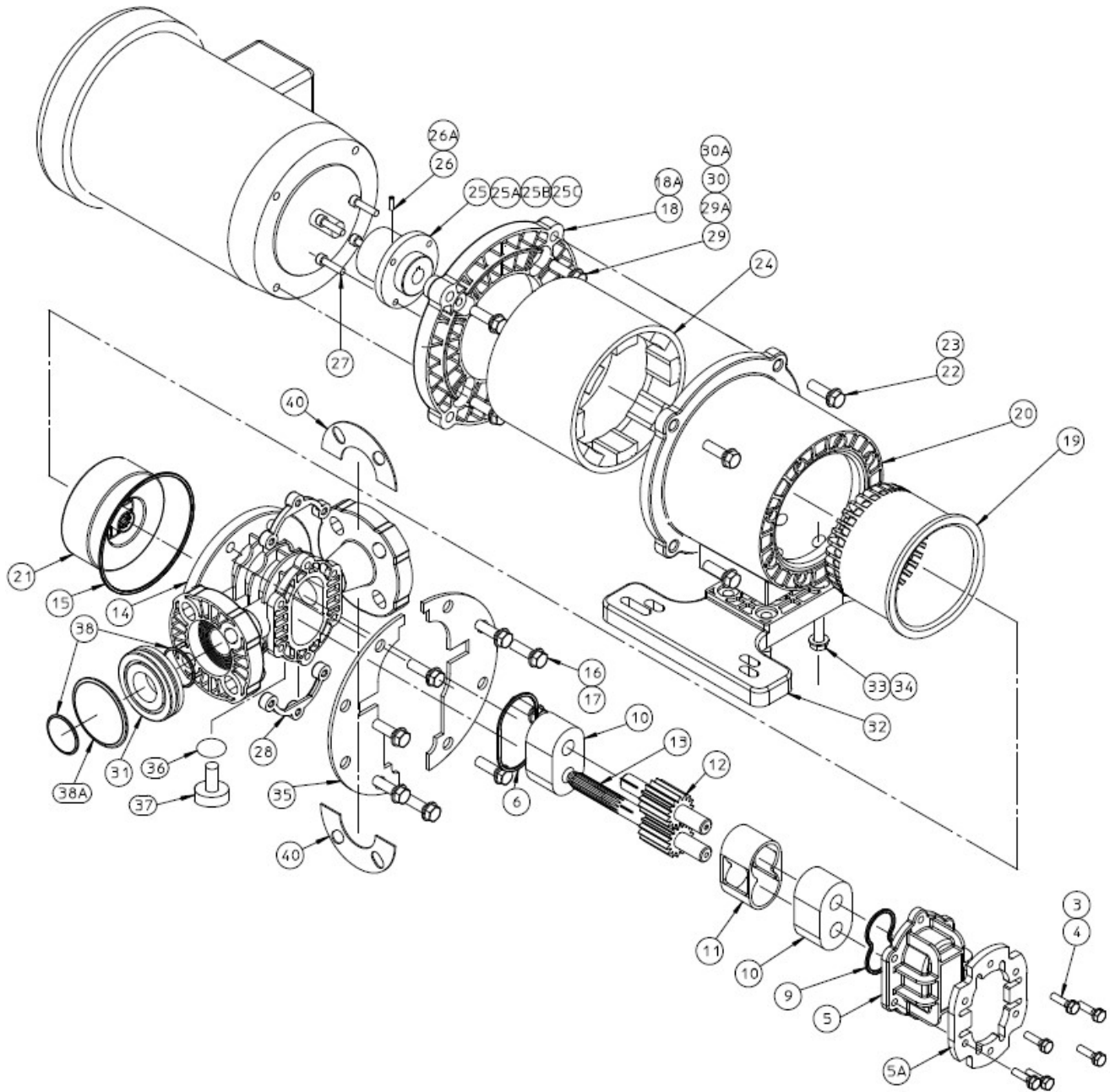
(Select one option)

	Description	Item	Qty
<b>-LTE</b>	Liner, Housing	11	1
	Gear Assembly, Drive	13	1
	Gear Assembly, Idler	12	1
	O-ring Cover	6	1

	Description	Item	Qty
<b>-STD</b>	Bearing	10	2
	Liner, Housing	11	1
	Gear Assembly, Drive	13	1
	Gear Assembly, Idler	12	1
	O-ring Cover	6	1
	O-ring Compression	9	2

	Description	Item	Qty
<b>-PRO</b>	Bearing	10	2
	Liner, Housing	11	1
	Gear Assembly, Drive	13	1
	Gear Assembly, Idler	12	1
	O-ring Cover	6	1
	O-ring Compression	9	2
	Bolt	3	6
	Washer	4	6
	Plate, Nut	28	2

# Parts Diagram and List, Eclipse 25 Non-metallic



## Eclipse Pump Series Size 25 Non-Metallic

### Consolidated Bill of Material

#### Position 1,2,3,4 - Pump Housing Material/Port

#### Position 4 Base Pump Material and Port Connection

#### PVDF Flanged (N)

E25	Description	Item	Part Number:	Material	Qty
<b>Common Parts</b>	Bolt	3	W770405-188	Stainless Steel	6
	Washer	4	NG990018-188	Stainless Steel	6
	Plate, Nut	28	NG990010-188	Stainless Steel	2
	Plate, Reinforcement	35	NG120007-188	Stainless Steel	2
	Bolt	16	W770426-188	Stainless Steel	8
	Washer	17	NG990019-188	Stainless Steel	8
	Name Plate	1	NG550003-304	Stainless Steel	1
	Drive Screw	2	W771000-188	Stainless Steel	2
	Can, Containment	19	NG210006-PVD	Carbon filled PVDF	1
	Driven Magnet Assembly	21	NG200032-TEF	Neo / ETFE	1
	Drive Magnet	24	NG200036-STL	Neo / Steel	1
	Adapter, Spool	20	NG110009-ALU	Aluminum	1
	Base	32	NG970001-ALU	Aluminum	1
	Bolt	33	W770425-188	Stainless Steel	4
	Washer	34	NG990019-188	Stainless Steel	4
	Drain Plug	37	NG990014-FTE	ETFE	1
	Plate, Cover Reinforcement	5A	NG120013-188	Stainless Steel	1
	Plate, Flange Reinforcement	40	NG120010-188	Stainless Steel	4
<b>N</b>	Housing, Center Flanged	14	NG040023-PVD	Carbon filled PVDF	1
	Cover, Front	5	NG020003-PVD	Carbon filled PVDF	1

#### Position 5 - Bearing Materials

	Description	Item	Part Number:	Material	Qty
<b>Common Parts</b>	Liner, Housing	11	NG220004-FTE	ETFE	1
	Gear Assembly, Drive	13	NG010018-FTE	ETFE / ALA	1
	Gear Assembly, Idler	12	NG010017-FTE	ETFE / ALA	1
<b>L</b>	Bearing	10	NG080003-CBN	Carbob-92	2
<b>B</b>	Bearing		NG080003-SIC	Silicon Carbide	2

#### Position 6 - O-ring Material Selection

	Description	Item	Part Number:	Material	Qty
<b>V</b>	O-ring Containment Can	15	W209729-VTN	Viton A	1
	O-ring Cover	6	NP440147-VTN	Viton A	1
	O-ring Drain Plug	36	W059100-VTN	Viton A	1
	O-ring Compression	9	NP440138-VTN	Viton A	1
	Kit, Flange Gasket	31 / 38	NG450001-VTN	TFE / Viton A	2
<b>E</b>	O-ring Containment Can	15	NG440158-N0R	EPDM	1
	O-ring Cover	6	NG440147-N0R	EPDM	1
	O-ring Drain Plug	36	W059100-N0R	EPDM	1
	O-ring Compression	9	NG440138-N0R	EPDM	1
	Kit, Flange Gasket	31 / 38	NG450001-N0R	TFE / EPDM	2
<b>K</b>	O-ring Containment Can	15	NG440158-KLZ	Perfluoroelastomer	1
	O-ring Cover	6	NG440147-KLZ	Perfluoroelastomer	1
	O-ring Drain Plug	36	NG440012-KLZ	Perfluoroelastomer	1
	O-ring Compression	9	NG440138-KLZ	Perfluoroelastomer	1
	Kit, Flange Gasket	31 / 38	NG450001-KLZ	TFE / Perfluoroelastomer	2

## Eclipse Pump Series Size 25 Non-Metallic

### Consolidated Bill of Material - Continued

#### Position 7 - NEMA C-Face and IEC B34 Metric Frame Magnetic Coupling Arrangement 56C NEMA frame components

	Description	Item	Part Number	Material	Qty
F	Coupling Hub	25	NG940002-STL	Steel	1
	Adaptor, Motor	18	NG110006-PET	Polyester	1
	Set Screw	26	W771004-031	Steel	1
	Bolt	29	W770425-188	Stainless Steel	4
	Washer	30	NG990019-188	Stainless Steel	4
	Bolt	22	W770426-188	Stainless Steel	4
	Washer	23	NG990019-188	Stainless Steel	4
	Screw	27	W770021-188	Stainless Steel	4
<b>Motor Mount Kit #</b>	<b>E25XXXF</b>				

#### 143TC - 182C NEMA frame components

	Description	Item	Part Number	Material	Qty
O	Coupling Hub	25	NG940003-STL	Steel	1
	Adaptor, Motor	18	NG110006-PET	Polyester	1
	Set Screw	26	W771004-031	Steel	1
	Bolt	29	W770425-188	Stainless Steel	4
	Washer	30	NG990019-188	Stainless Steel	4
	Bolt	22	W770426-188	Stainless Steel	4
	Washer	23	NG990019-188	Stainless Steel	4
	Screw	27	W770021-188	Stainless Steel	4
<b>Motor Mount Kit #</b>	<b>E25XXO</b>				

#### 100/112 IEC B34 frame components

	Description	Item	Part Number:	Material	Qty
P	Coupling Hub	25A	NG940006-STL	Steel	1
	Adaptor, Motor	18	NG110006-PET	Polyester	1
	Set Screw	26A	NP991004-018	Steel	1
	Bolt	29A	W770534-188	Stainless Steel	4
	Washer	30A	NP991018-188	Stainless Steel	4
	Bolt	22	W770426-188	Stainless Steel	4
	Washer	23	NG990019-188	Stainless Steel	4
	Screw	27	W770021-188	Stainless Steel	4
<b>Motor Mount Kit #</b>	<b>E25XXXP</b>				

#### 80 IEC B34 frame components

	Description	Item	Part Number:	Material	Qty
K	Coupling Hub 80	25A	NG940005-STL	Steel	1
	Adaptor, Motor	26A	NG110020-ALU	Aluminum	1
	Set Screw	26A	NP991004-001	Steel	1
	Bolt	29A	NP999121-188	Stainless Steel	4
	Washer	30A	NP991017-188	Stainless Steel	4
	Bolt	22	W770426-188	Stainless Steel	4
	Washer	23	NG990019-188	Stainless Steel	4
	Screw	27	W770021-188	Stainless Steel	4
<b>Motor Mount Kit #</b>	<b>E25XXXK</b>				

**Position 7 - NEMA C-Face and IEC B34 Metric Frame Magnetic Coupling Arrangement  
- Continued**

**90 IEC B34 frame components**

	Description	Item	Part Number:	Material	Qty
<b>L</b>	Coupling Hub 90	25A	NG940013-STL	Steel	1
	Adaptor	26A	NG110020-ALU	Aluminum	1
	Set Screw	26A	NP991004-018	Steel	1
	Bolt	29A	NP999004-188	Stainless Steel	4
	Washer	30A	NP991018-188	Stainless Steel	4
	Bolt	22	W770426-188	Stainless Steel	4
	Washer	23	NG990019-188	Stainless Steel	4
	Screw	27	W770021-188	Stainless Steel	4
<b>Motor Mount Kit #</b>	<b>E25XXXL</b>				

**182TC-184TC Nema frame components**

	Description	Item	Part Number:	Material	Qty
<b>R</b>	Coupling Hub	25	NG940018-STL	Steel	1
	Adaptor Spool C 182/184TC	18	NG110028-PVC	PVC	1
	Set Screw	26	W771004-046	Steel	1
	Bolts	29	W770482-188	Stainless Steel	4
	Washer	30	W771009-188	Stainless Steel	4
	Bolts	22	W770425-188	Stainless Steel	4
	Screws	27	W770021-188	Stainless Steel	4
	<b>Motor Mount Kit #</b>	<b>E25XXXR</b>			

**KOPKit Suffix Selection Bills of Material  
(Select one option)**

	Description	Item	Qty
<b>-LTE</b>	Liner, Housing	11	1
	Gear Assembly, Drive	13	1
	Gear Assembly, Liner	12	1
	O-ring Cover	6	1

	Description	Item	Qty
<b>-STD</b>	Bearing	10	2
	Liner, Housing	11	1
	Gear Assembly, Drive	13	1
	Gear Assembly, Liner	12	1
	O-ring Cover	6	1
	O-ring Compression	9	2

	Description	Item	Qty
<b>-PRO</b>	Bearing	10	2
	Liner, Housing	11	1
	Gear Assembly, Drive	13	1
	Gear Assembly, Liner	12	1
	O-ring Cover	6	1
	O-ring Compression	9	2
	Bolt	3	6
	Washer	4	6
	Plate, Nut	28	2

## REVISION CONTROL

REV.	DATE	DESCRIPTION OF CHANGE(s)	APPROVAL
4	6/27/22	CHANGED KALREZ TO PERFLUOROELASTOMER	PM