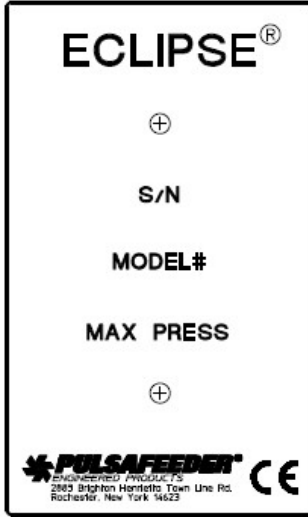


E25 / EH25 Eclipse Pump Non-metallic

Pump Namplate



Eclipse Model Structure

| | | | | | | | |
|---|-----|---|---|---|---|---|---|
| 1 | 2/3 | 4 | 5 | 6 | 7 | 8 | 9 |
| E | 25 | | | | | - | |

Pump Model Identification

| Position | Code | Specifies | Options |
|----------|-----------------------|-------------------|--|
| 1 | E EH | Model | E – Eclipse EH- Eclipse Hypo |
| 2 and 3 | 25 | Pump Size | 25 – Max. Capacity 7.4 gpm (28.0 lpm) |
| 4 | N | Housing Material | N – PVDF, FLANGED |
| 5 | L, B | Bearings | L – Carbon B – Silicon Carbide |
| 6 | V, E, K | O-rings | V – Viton E – EPDM K – Kalrez |
| 7 | F, O, K L, P, R, Y | Motor Mounting | F – NEMA 56C O – NEMA 143/5TC-182/4C K – IEC 80 B3/B14 L – IEC 90 B3/B14 P – IEC 100/112 B3/B14 R – NEMA 182TC-184TC Y – No Motor Mounting Kit |
| 8 | - | | Dash |

Pump Model Identification - Continued

| Position | Code | Specifies | Options |
|----------|-----------|--|---------|
| 9 | X, A, N,B | <p>X – Ceramic shafts and Teflon gears</p> <p>A- Bearing Flush Port (1x 1/8” FNPT / BSPT Connection located in the center front cover)</p> <p>N – Pump Wet End Only</p> <p>B- Combination Of 9th Position Options “A” AND “N”</p> <p>X-ATEX- Standard Pump with ATEX Directive - CE-EX II 2G T6 II 2D T6</p> <p>A-ATEX - Bearing Flush with ATEX Directive - CE Ex II 2G T6 II 2D T6</p> <p>N-ATEX - Wet end only with ATEX Directive - CE-EX II 2G T6 II 2D T6</p> <p>B-ATEX -Wet End Only and Bearing Flush with ATEX Directive - CE Ex II 2G T6 II 2D</p> | |

KOPkit Part Number Identification

Eclipse KOP kit Structure

| | | | | | |
|---|-----|---|---|---|--------|
| 1 | 2/3 | 4 | 5 | 6 | Suffix |
| E | 25 | | | | - |

| Position | Code | Specifies | Options |
|----------|-----------------|------------------|-------------------------------------|
| 1 | E EH | Model | E – Eclipse EH- Eclipse Hypo |
| 2 and 3 | 25 | Pump Size | 25 – Max. Capacity 7.4 gpm (28 lpm) |
| 4 | X | Housing Material | X – All Non-Metallic pumps |
| 5 | L, B | Bearings | L – Carbon B – Silicon Carbide |
| 6 | V, E, K | O-rings | V – Viton E – EPDM K – Kalrez |
| Suffix | LTE, STD PRO | | |

KOPKit Suffix Selection Bills of Material

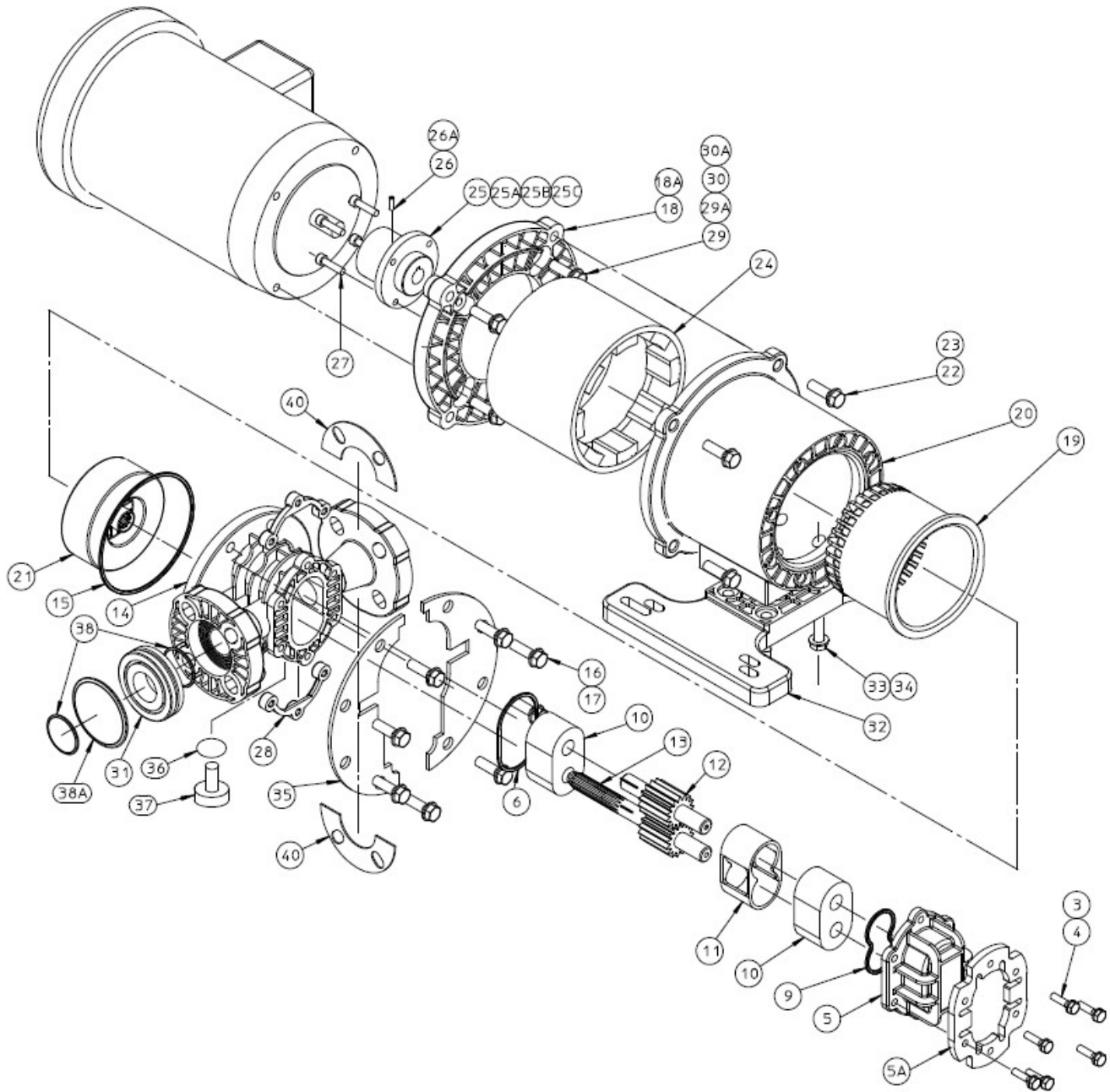
(Select one option)

| | Description | Item | Qty |
|-------------|----------------------|------|-----|
| -LTE | Liner, Housing | 11 | 1 |
| | Gear Assembly, Drive | 13 | 1 |
| | Gear Assembly, Idler | 12 | 1 |
| | O-ring Cover | 6 | 1 |

| | Description | Item | Qty |
|-------------|----------------------|------|-----|
| -STD | Bearing | 10 | 2 |
| | Liner, Housing | 11 | 1 |
| | Gear Assembly, Drive | 13 | 1 |
| | Gear Assembly, Idler | 12 | 1 |
| | O-ring Cover | 6 | 1 |
| | O-ring Compression | 9 | 2 |

| | Description | Item | Qty |
|-------------|----------------------|------|-----|
| -PRO | Bearing | 10 | 2 |
| | Liner, Housing | 11 | 1 |
| | Gear Assembly, Drive | 13 | 1 |
| | Gear Assembly, Idler | 12 | 1 |
| | O-ring Cover | 6 | 1 |
| | O-ring Compression | 9 | 2 |
| | Bolt | 3 | 6 |
| | Washer | 4 | 6 |
| | Plate, Nut | 28 | 2 |

Parts Diagram and List, Eclipse 25 Non-metallic



Eclipse Pump Series Size 25 Non-Metallic

Consolidated Bill of Material

Position 1,2,3,4 - Pump Housing Material/Port

Position 4 Base Pump Material and Port Connection

PVDF Flanged (N)

| E25 | Description | Item | Part Number: | Material | Qty |
|---------------------|-----------------------------|------|--------------|--------------------|-----|
| Common Parts | Bolt | 3 | W770405-188 | Stainless Steel | 6 |
| | Washer | 4 | NG990018-188 | Stainless Steel | 6 |
| | Plate, Nut | 28 | NG990010-188 | Stainless Steel | 2 |
| | Plate, Reinforcement | 35 | NG120007-188 | Stainless Steel | 2 |
| | Bolt | 16 | W770426-188 | Stainless Steel | 8 |
| | Washer | 17 | NG990019-188 | Stainless Steel | 8 |
| | Name Plate | 1 | NG550003-304 | Stainless Steel | 1 |
| | Drive Screw | 2 | W771000-188 | Stainless Steel | 2 |
| | Can, Containment | 19 | NG210006-PVD | Carbon filled PVDF | 1 |
| | Driven Magnet Assembly | 21 | NG200032-TEF | Neo / ETFE | 1 |
| | Drive Magnet | 24 | NG200036-STL | Neo / Steel | 1 |
| | Adapter, Spool | 20 | NG110009-ALU | Aluminum | 1 |
| | Base | 32 | NG970001-PET | Polyester | 1 |
| | Bolt | 33 | W770425-188 | Stainless Steel | 4 |
| | Washer | 34 | NG990019-188 | Stainless Steel | 4 |
| | Drain Plug | 37 | NG990014-FTE | ETFE | 1 |
| | Plate, Cover Reinforcement | 5A | NG120013-188 | Stainless Steel | 1 |
| | Plate, Flange Reinforcement | 40 | NG120010-188 | Stainless Steel | 4 |
| N | Housing, Center Flanged | 14 | NG040023-PVD | Carbon filled PVDF | 1 |
| | Cover, Front | 5 | NG020003-PVD | Carbon filled PVDF | 1 |

Position 5 - Bearing Materials

| | Description | Item | Part Number: | Material | Qty |
|---------------------|----------------------|------|--------------|-----------------|-----|
| Common Parts | Liner, Housing | 11 | NG220004-FTE | ETFE | 1 |
| | Gear Assembly, Drive | 13 | NG010018-FTE | ETFE / ALA | 1 |
| | Gear Assembly, Idler | 12 | NG010017-FTE | ETFE / ALA | 1 |
| L | Bearing | 10 | NG080003-CBN | Carbob-92 | 2 |
| B | Bearing | | NG080003-SIC | Silicon Carbide | 2 |

Position 6 - O-ring Material Selection

| | Description | Item | Part Number: | Material | Qty |
|----------|------------------------|---------|--------------|---------------|-----|
| V | O-ring Containment Can | 15 | W209729-VTN | Viton A | 1 |
| | O-ring Cover | 6 | NP440147-VTN | Viton A | 1 |
| | O-ring Drain Plug | 36 | W059100-VTN | Viton A | 1 |
| | O-ring Compression | 9 | NP440138-VTN | Viton A | 1 |
| | Kit, Flange Gasket | 31 / 38 | NG450001-VTN | TFE / Viton A | 2 |
| E | O-ring Containment Can | 15 | NG440158-N0R | EPDM | 1 |
| | O-ring Cover | 6 | NG440147-N0R | EPDM | 1 |
| | O-ring Drain Plug | 36 | W059100-N0R | EPDM | 1 |
| | O-ring Compression | 9 | NG440138-N0R | EPDM | 1 |
| | Kit, Flange Gasket | 31 / 38 | NG450001-N0R | TFE / EPDM | 2 |
| K | O-ring Containment Can | 15 | NG440158-KLZ | Kalrez | 1 |
| | O-ring Cover | 6 | NG440147-KLZ | Kalrez | 1 |
| | O-ring Drain Plug | 36 | NG440012-KLZ | Kalrez | 1 |
| | O-ring Compression | 9 | NG440138-KLZ | Kalrez | 1 |
| | Kit, Flange Gasket | 31 / 38 | NG450001-KLZ | TFE / Kalrez | 2 |

Eclipse Pump Series Size 25 Non-Metallic

Consolidated Bill of Material - Continued

Position 7 - NEMA C-Face and IEC B34 Metric Frame Magnetic Coupling Arrangement 56C NEMA frame components

| | Description | Item | Part Number | Material | Qty |
|--------------------------|----------------|------|--------------|-----------------|-----|
| F | Coupling Hub | 25 | NG940002-STL | Steel | 1 |
| | Adaptor, Motor | 18 | NG110006-PET | Polyester | 1 |
| | Set Screw | 26 | W771004-031 | Steel | 1 |
| | Bolt | 29 | W770425-188 | Stainless Steel | 4 |
| | Washer | 30 | NG990019-188 | Stainless Steel | 4 |
| | Bolt | 22 | W770426-188 | Stainless Steel | 4 |
| | Washer | 23 | NG990019-188 | Stainless Steel | 4 |
| | Screw | 27 | W770021-188 | Stainless Steel | 4 |
| Motor Mount Kit # | E25XXXF | | | | |

143TC - 182C NEMA frame components

| | Description | Item | Part Number | Material | Qty |
|--------------------------|----------------|------|--------------|-----------------|-----|
| O | Coupling Hub | 25 | NG940003-STL | Steel | 1 |
| | Adaptor, Motor | 18 | NG110006-PET | Polyester | 1 |
| | Set Screw | 26 | W771004-031 | Steel | 1 |
| | Bolt | 29 | W770425-188 | Stainless Steel | 4 |
| | Washer | 30 | NG990019-188 | Stainless Steel | 4 |
| | Bolt | 22 | W770426-188 | Stainless Steel | 4 |
| | Washer | 23 | NG990019-188 | Stainless Steel | 4 |
| | Screw | 27 | W770021-188 | Stainless Steel | 4 |
| Motor Mount Kit # | E25XXO | | | | |

100/112 IEC B34 frame components

| | Description | Item | Part Number: | Material | Qty |
|--------------------------|----------------|------|--------------|-----------------|-----|
| P | Coupling Hub | 25A | NG940006-STL | Steel | 1 |
| | Adaptor, Motor | 18 | NG110006-PET | Polyester | 1 |
| | Set Screw | 26A | NP991004-018 | Steel | 1 |
| | Bolt | 29A | W770534-188 | Stainless Steel | 4 |
| | Washer | 30A | NP991018-188 | Stainless Steel | 4 |
| | Bolt | 22 | W770426-188 | Stainless Steel | 4 |
| | Washer | 23 | NG990019-188 | Stainless Steel | 4 |
| | Screw | 27 | W770021-188 | Stainless Steel | 4 |
| Motor Mount Kit # | E25XXXP | | | | |

80 IEC B34 frame components

| | Description | Item | Part Number: | Material | Qty |
|--------------------------|-----------------|------|--------------|-----------------|-----|
| K | Coupling Hub 80 | 25A | NG940005-STL | Steel | 1 |
| | Adaptor, Motor | 26A | NG110020-ALU | Aluminum | 1 |
| | Set Screw | 26A | NP991004-001 | Steel | 1 |
| | Bolt | 29A | NP999121-188 | Stainless Steel | 4 |
| | Washer | 30A | NP991017-188 | Stainless Steel | 4 |
| | Bolt | 22 | W770426-188 | Stainless Steel | 4 |
| | Washer | 23 | NG990019-188 | Stainless Steel | 4 |
| | Screw | 27 | W770021-188 | Stainless Steel | 4 |
| Motor Mount Kit # | E25XXXK | | | | |

**Position 7 - NEMA C-Face and IEC B34 Metric Frame Magnetic Coupling Arrangement
- Continued**

90 IEC B34 frame components

| | Description | Item | Part Number: | Material | Qty |
|--------------------------|-----------------|------|--------------|-----------------|-----|
| L | Coupling Hub 90 | 25A | NG940013-STL | Steel | 1 |
| | Adaptor | 26A | NG110020-ALU | Aluminum | 1 |
| | Set Screw | 26A | NP991004-018 | Steel | 1 |
| | Bolt | 29A | NP999004-188 | Stainless Steel | 4 |
| | Washer | 30A | NP991018-188 | Stainless Steel | 4 |
| | Bolt | 22 | W770426-188 | Stainless Steel | 4 |
| | Washer | 23 | NG990019-188 | Stainless Steel | 4 |
| | Screw | 27 | W770021-188 | Stainless Steel | 4 |
| Motor Mount Kit # | E25XXXL | | | | |

182TC-184TC Nema frame components

| | Description | Item | Part Number: | Material | Qty |
|----------|------------------------------|----------------|--------------|-----------------|-----|
| R | Coupling Hub | 25 | NG940018-STL | Steel | 1 |
| | Adaptor Spool C 182/184TC | 18 | NG110028-PVC | PVC | 1 |
| | Set Screw | 26 | W771004-046 | Steel | 1 |
| | Bolts | 29 | W770482-188 | Stainless Steel | 4 |
| | Washer | 30 | W771009-188 | Stainless Steel | 4 |
| | Bolts | 22 | W770425-188 | Stainless Steel | 4 |
| | Screws | 27 | W770021-188 | Stainless Steel | 4 |
| | Motor Mount Kit # | E25XXXR | | | |

**KOPKit Suffix Selection Bills of Material
(Select one option)**

| | Description | Item | Qty |
|-------------|----------------------|------|-----|
| -LTE | Liner, Housing | 11 | 1 |
| | Gear Assembly, Drive | 13 | 1 |
| | Gear Assembly, Liner | 12 | 1 |
| | O-ring Cover | 6 | 1 |

| | Description | Item | Qty |
|-------------|----------------------|------|-----|
| -STD | Bearing | 10 | 2 |
| | Liner, Housing | 11 | 1 |
| | Gear Assembly, Drive | 13 | 1 |
| | Gear Assembly, Liner | 12 | 1 |
| | O-ring Cover | 6 | 1 |
| | O-ring Compression | 9 | 2 |

| | Description | Item | Qty |
|-------------|----------------------|------|-----|
| -PRO | Bearing | 10 | 2 |
| | Liner, Housing | 11 | 1 |
| | Gear Assembly, Drive | 13 | 1 |
| | Gear Assembly, Liner | 12 | 1 |
| | O-ring Cover | 6 | 1 |
| | O-ring Compression | 9 | 2 |
| | Bolt | 3 | 6 |
| | Washer | 4 | 6 |
| | Plate, Nut | 28 | 2 |

REVISION CONTROL

| REV. | DATE | DESCRIPTION OF CHANGE(s) | APPROVAL |
|------|----------|--------------------------|----------|
| 0 | 01/04/19 | New Release | JM |
| | | | |
| | | | |