

ISOCHEM / ECO BOTANICAL EXTRACTION

PROVEN PUMPS FOR TINCTURE, EXTRACTS, SOLVENTS AND TERPENES

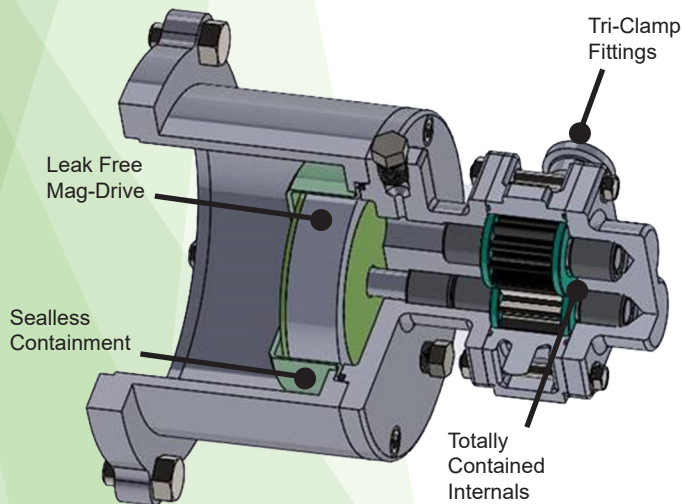
Pulsafeeder features two industry proven designs that can cover every step of a botanical extraction process. The **ISOChem** features a sealless design that can handle a wide range of viscosities and can simplify your system design. The **ECO** series is the ideal choice for positive pressure solvent recovery applications, and the perfect fit for many process steps.

FEATURES

- UL1389 Certified
- True Sealless Mag-Drive (ISOChem)
- Tri-Clamp Sanitary Connections
- Industry Proven Designs
- Chemically Compatible Gears, Bearings and Wear Plates



ISOChem Mag-Drive Series



Intertek

PUMP RATINGS OF

-40°C
& UP TO
100 PSI

BENEFITS

Industry Proven Designs

- Handle a variety of viscosities from thin solvents to thick extracts
- Applications up to 100 psig and down to -40°F
- Operate leak free and sealless, under vacuum, and up to 450°F with ISOChem

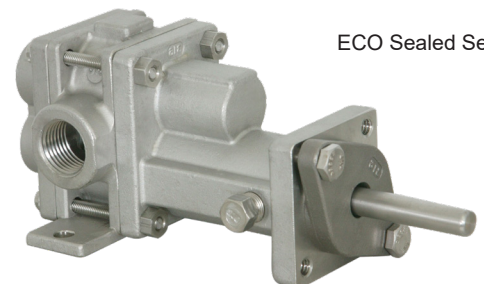
Simple Design and Easy Service

- Integrated Tri-Clamp fittings allow easy pump removal and cleaning
- Short port-to-port dimensions minimizes piping
- Eliminate the need for seal flushing systems with ISOChem

Maximize Life With The Right Materials

- Process thin fluids with self-lubricating bearings
- Extended life with hardened carbon bearings
- High temperature PEEK gears available
- Industrial design with 316 Stainless Steel, Alloy C and PTFE components

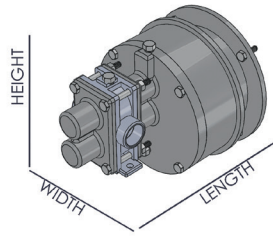
Pulsafeeder offers industry experience in botanical extraction as well as engineering support to optimize your system.



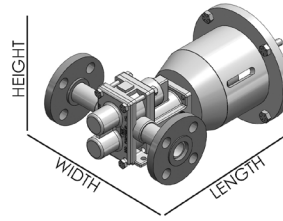
ECO Sealed Series

Technical Information

ISOChem



ECO

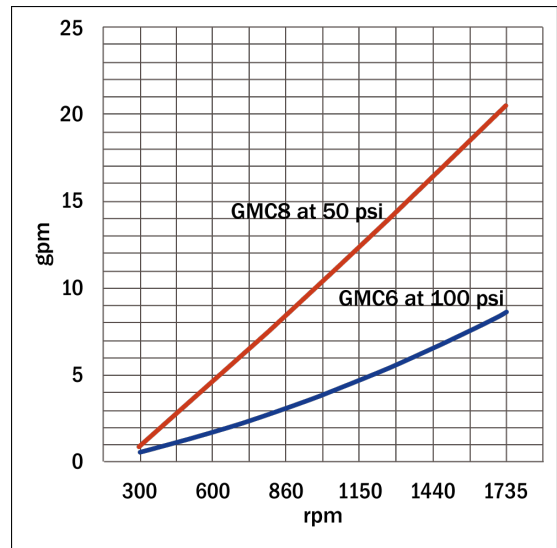
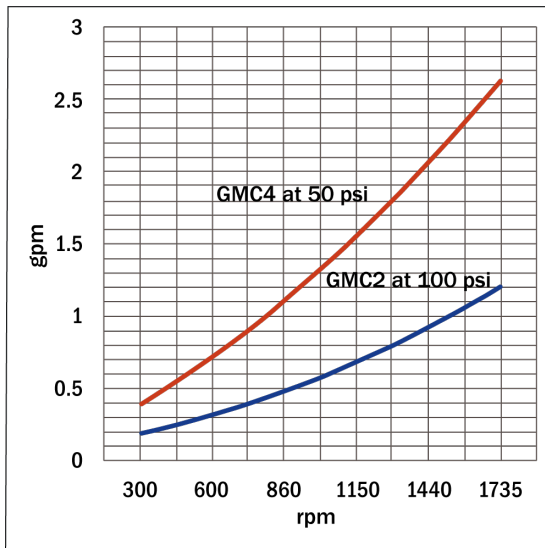


Pump Family	Model	Nominal Flow (60 Hz)		MADP ⁴ (psig)	Port Size (inches)		Port-to-Port (width - inches) ¹		Length ² (inches)	Height (inches)	Motor Mount ³	°F (°C) max	Wt ² (approx.) lbs (kg)
		gpm	rpm		npt	150#	npt	150#					
ISOChem	GMC2	1.5	1725	100	¼"	½"	2.88	6.00	7.5	6.5	56C-145TC	450 (232)	16 (35)
ISOChem	GMC4	3.0	1725	100	½"	½"	2.88	6.00	7.5	6.5	56C-145TC	450 (232)	16 (35)
ISOChem	GMC6	10.0	1725	100	¾"	¾"	3.32	8.00	9.0	6.75	56C-145TC	450 (232)	28 (62)
ISOChem	GMC8	22.0	1725	50	1"	1"	4.00	8.00	10.25	6.82	56C-145TC	450 (232)	30 (66)
ECO	GC2	1.5	1725	100	¼"	½"	2.88	6.00	10.3	6.5	56C-145TC	250 (121)	4.2 (1.9)
ECO	GC4	3.0	1725	100	½"	½"	2.88	6.00	10.3	6.5	56C-145TC	250 (121)	4.2 (1.9)
ECO	GC6	10.0	1725	100	¾"	¾"	3.32	8.00	11.2	6.5	56C-145TC	250 (121)	7 (3.2)
ECO	GC8	22.0	1725	50	1"	1"	4.00	8.00	12.4	6.5	56C-145TC	250 (121)	10 (4.5)

1 – NPT or Flanged. Consult Factory for Tri-Clamp sizes
2 – Less motor

3 – NEMA motor frames shown. IEC Motor frames available
4 – Maximum Allowable Differential Pressure (MADP)

Dimensions provided are for reference only
Visit www.pulsa.com for certified dimensional drawing



Pulsafeeder only works with distributors and extractors in accordance with local laws and regulations.



Pulsafeeder, Inc.
2883 Brighton Henrietta Town Line Rd
Rochester, NY 14623
Phone: +1 (585) 292-8000
pulsa@idexcorp.com | pulsa.com

Contact your local
representative:
pulsa.com/find-a-rep