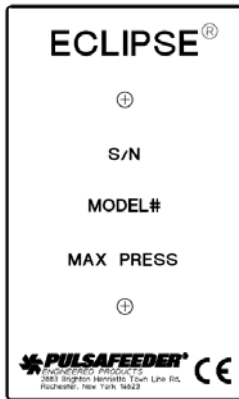


E02 / EH02 Eclipse Pump Non-metallic

Pump Nameplate



Eclipse Model Structure

1	2/3	4	5	6	7	8	9
E	02					-	

Pump Model Identification

Position	Code	Specifies	Options
1	E	Model	E- Eclipse
	EH		EH- Eclipse Hypo
2 and 3	2	Pump Size	02 – Max. Capacity .45 gpm (1.7 lpm)
4	K,M	Housing Material	K – PVDF, FNPT
			M – PVDF, BSPT
5	L,B	Bearings	L – Carbon
			B – Silicon Carbide
6	V,E,K	O-rings	V – Viton
			E – EPDM
			K – Kalrez
7	F,O,H	Motor	F – NEMA 56C
		J,K	Mounting
	H – IEC 63 B3/B14		
	J – IEC 71 B3/B14		
	K – IEC 80 B3/B14		
Y- NO MOTOR MOUNTING KIT			
8	-	Dash	

Pump Model Identification - Continued

Position	Code	Specifies	Options
9	X, N	Options	X - Ceramic shafts and Teflon gears
	X-ATEX		N - Pump Wet end only
			X-ATEX -Standard Pump with ATEX Directive - CE Ex II 2G T6 II 2D T6
	N-ATEX		N- ATEX - Wet End Only with ATEX Directive - CE Ex II 2G T6 II 2D T6

KOPkit Part Number Identification

Eclipse KOP kit Structure

1	2/3	4	5	6	Suffix
E	02				-

Position	Code	Specifies	Options
1	E EH	Model	E – Eclipse E – Eclipse Hypo
2 and 3	02	Pump Size	02 – Max. Capacity 0.45 gpm (1.7 lpm)
4	X	Housing Material	X – All Non-Metallic pumps
5	B L	Bearings	B – Silicon Carbide L – Carbon
6	V, E, K	O-rings	V – Viton E – EPDM K – Kalrez
Suffix	LTE STD PRO		

KOPKit Suffix Selection Bills of Material

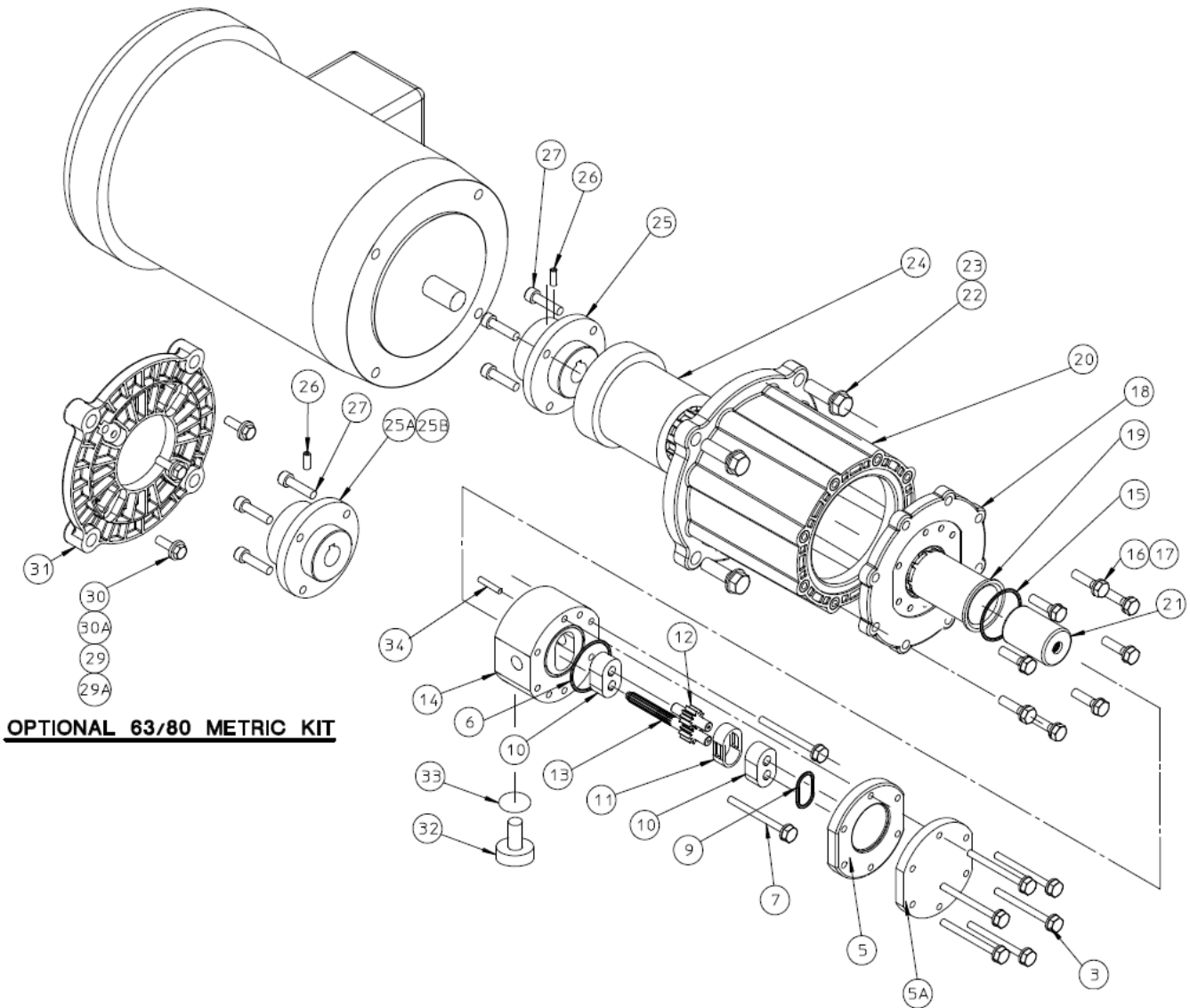
(Select one option)

	Description	Item	Qty
-LTE	Liner, Housing	11	1
	Gear Assembly, Drive	13	1
	Gear Assembly, Idler	12	1
	O-ring Cover	6	1

	Description	Item	Qty
-STD	Bearing	10	2
	Liner, Housing	11	1
	Gear Assembly, Drive	13	1
	Gear Assembly, Idler	12	1
	O-ring Cover	6	1
	O-ring Compression	9	2

	Description	Item	Qty
-PRO	Bearing	10	2
	Liner, Housing	11	1
	Gear Assembly, Drive	13	1
	Gear Assembly, Idler	12	1
	O-ring Cover	6	1
	O-ring Compression	9	2
	Bolt	16	6

Parts Diagram and List, Eclipse 02 Non-metallic



Eclipse Pump Series Size 02 Non-Metallic

Consolidated Bill of Material

Position 1,2,3,4 – Pump Housing Material/Ports

			Position 4 Base Pump Material and Port Connection		
			PVDF (K or M)		
E02	Description	Item	Part Number	Material	Qty
Common Parts	Screw	3	W770612-188	Stainless Steel	6
	Screw	7	W770611-188	Stainless Steel	2
	Name Plate	1	NG550003-304	Stainless Steel	1
	Can, Containment	19	NG210004-PVD	Carbon-filled PVDF	1
	Driven Magnet Assembly	21	NG200030-TEF	Neo / ETFE	1
	Drive Magnet	24	NG200034-STL	Neo / Steel	1
	Plate, Cover Reinforcement	5A	NG120011-188	Stainless Steel	1
	Adapter, Spool	20	NG110010-PET	Polyester	1
	Adapter, Can	18	NG110012-188	Stainless Steel	1
	Bolt	16	W770403-188	Stainless Steel	8
	Washer	17	NG990018-188	Stainless Steel	8
	Plug, Drain	32	NG990014-FTE	ETFE	1
	Roll Pin	34	W771206-002	Steel	1
	Cover, Front	5	NG020001-CTF	Carbon-filled PTFE	1
K	Housing, Center FNPT	14	NG040019-CTF	Carbon-filled PTFE	1
M	Housing, Center FBSPT		NG040020-CTF	Carbon-filled PTFE	1

Position 5 - Bearing Materials

	Description	Item	Part Number	Material	Qty
Common Parts	Liner, Housing	11	NG220002-FTE	ETFE	1
	Gear Assembly, Drive	13	NG010014-FTE	ETFE / ALA	1
	Gear Assembly, Idler	12	NG010013-FTE	ETFE / ALA	1
L	Bearing	10	NG080001-CBN	Carbon-92	2
B	Bearing		NG080001-SIC	Silicon Carbide	2

Position 6 - O-ring Material Selection

	Description	Item	Part Number	Material	Qty
V	O-ring Containment Can	15	W078452-VTN	Viton A	1
	O-ring Cover	6	W078452-VTN	Viton A	1
	O-ring Compression	9	NP440020-VTN	Viton A	1
	O-ring Drain Plug	33	W059100-VTN	Viton A	1
E	O-ring Containment Can	15	W078452-NOR	EPDM	1
	O-ring Cover	6	W078452-NOR	EPDM	1
	O-ring Compression	9	NG440020-NOR	EPDM	1
	O-ring Drain Plug	33	W059100-NOR	EPDM	1
K	O-ring Containment Can	15	NG440029-KLZ	Kalrez	1
	O-ring Cover	6	NG440029-KLZ	Kalrez	1
	O-ring Compression	9	NG440020-KLZ	Kalrez	1
	O-ring Drain Plug	33	NG440012-KLZ	Kalrez	1

Position 7 - NEMA C-Face and IEC B34 Metric Frame Magnetic Coupling Arrangement 56C NEMA frame components

	Description	Item	Part Number	Material	Qty
F	Coupling Hub	25	NG940002-STL	Steel	1
	Set Screw	26	W771004-031	Steel	1
	Bolt	22	W770425-188	Stainless Steel	4
	Washer	23	NG990019-188	Stainless Steel	4
	Screw	27	W770021-188	Stainless Steel	4
Motor Mount Kit #	E02XXXF				

**Position 7 - NEMA C-Face and IEC B34 Metric Frame Magnetic Coupling Arrangement
- Continued**

143TC-182C NEMA frame components

	Description	Item	Part Number	Material	Qty
O	Coupling Hub	25	NG940003-STL	Steel	1
	Set Screw	26	W771004-031	Steel	1
	Bolt	22	W770425-188	Stainless Steel	4
	Washer	23	NG990019-188	Stainless Steel	4
	Screw	27	W770021-188	Stainless Steel	4
Motor Mount Kit #	E02XXXO				

63 IEC B34 frame components

	Description	Item	Part Number	Material	Qty
H	Coupling Hub	25A	NG940004-STL	Steel	1
	Set Screw	26A	NP991004-017	Steel	1
	Adapter, Motor	31	NG110005-PET	Polyester	1
	Bolt	29	NP990418-188	Stainless Steel	4
	Washer	30	NP991016-188	Stainless Steel	4
	Bolt	22	W770426-188	Stainless Steel	4
	Washer	23	NG990019-188	Stainless Steel	4
	Screw	27	W770021-188	Stainless Steel	4
Motor Mount Kit #	E02XXXH				

71 IEC B34 frame components

	Description	Item	Part Number	Material	Qty
J	Coupling Hub	25A	NG940011-STL	Steel	1
	Set Screw	26A	NG990027-188	Steel	1
	Adapter, Motor	31	NG110019-ALU	Aluminum	1
	Bolt	29	W770546-188	Stainless Steel	4
	Bolt	22	W770425-188	Stainless Steel	4
	Washer	23	NG990019-188	Stainless Steel	4
	Screw	27	W770021-188	Stainless Steel	4
Motor Mount Kit #	E02XXXJ				

80 IEC B34 frame components

	Description	Item	Part Number	Material	Qty
K	Coupling Hub	25B	NG940005-STL	Steel	1
	Set Screw	26B	NP991004-001	Steel	1
	Adapter, Motor	31	NG110005-PET	Polyester	1
	Bolt	29A	W770546-188	Stainless Steel	4
	Washer	30A	NP991017-188	Stainless Steel	4
	Bolt	22	W770426-188	Stainless Steel	4
	Washer	23	NG990019-188	Stainless Steel	4
	Screw	27	W770021-188	Stainless Steel	4
Motor Mount Kit #	E02XXXK				

KOPKit Suffix Selection Bills of Material
(Select one option)

	Description	Item	Qty
-LTE	Liner, Housing	11	1
	Gear Assembly, Drive	13	1
	Gear Assembly, Liner	12	1
	O-ring Cover	6	1

	Description	Item	Qty
-STD	Bearing	10	2
	Liner, Housing	11	1
	Gear Assembly, Drive	13	1
	Gear Assembly, Liner	12	1
	O-ring Cover	6	1
	O-ring Compression	9	2

	Description	Item	Qty
-PRO	Bearing	10	2
	Liner, Housing	11	1
	Gear Assembly, Drive	13	1
	Gear Assembly, Liner	12	1
	O-ring Cover	6	1
	O-ring Compression	9	2
	Bolt	16	6

REVISION CONTROL

REV.	DATE	DESCRIPTION OF CHANGE(s)	APPROVAL
0	01/04/19	New Release	JM
1	06/05/19	Update description gear assembly liner.	KE