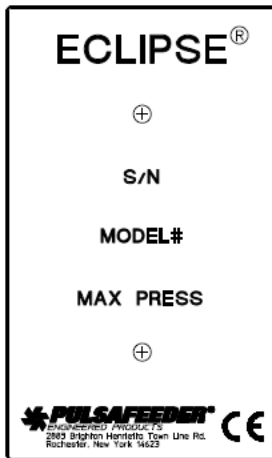


E75 / EH75 Eclipse Pump Non-metallic

Pump Nameplate



Eclipse Model Structure

1	2/3	4	5	6	7	8	9
E	75					-	

Pump Model Identification

Position	Code	Specifies	Options
1	E EH	Model	E – Eclipse EH- Eclipse Hypo
2 and 3	75	Pump Size	75 – Max Capacity 22 gpm (83.3 lpm)
4	N	Housing Material	N – PVDF, FLANGED
5	L, B	Bearings	L – Carbon B – Silicon Carbide
6	V, E, K	O-rings	V – Viton E – EPDM K – Kalrez
7	F, O, K, L P, R, W, Y	Motor Mounting	F – NEMA 56C O – NEMA 143/5TC-182/4C K – IEC 80 B3/B14 L – IEC 90 B3/B14 P – IEC 100/112 B3/B14 R - NEMA 182TC-184TC W- NEMA 213TC-215TC Y – No Motor Mounting Kit
8	-		Dash
9	X, A, N, B X-ATEX A-ATEX N-ATEX B-ATEX		X – Ceramic shafts and Teflon gears A- Bearing Flush Port (1x 1/8" FNPT / BSPT Connection located in the center of the front cover) N – Pump Wet End Only B - Combination Of 9th Position Options "A" AND "N" X-ATEX- Standard Pump with ATEX Directive - CE-EX II 2G T6 II 2D T6 A-ATEX - Bearing Flush with ATEX Directive - CE Ex II 2G T6 II 2D T6 N-ATEX - Wet end only with ATEX Directive - CE-EX II 2G T6 II 2D T6 B-ATEX - Wet End Only and Bearing Flush with ATEX Directive - CE Ex II 2G T6 II 2D T6

KOPkit Part Number Identification

Eclipse KOP kit Structure

1	2/3	4	5	6	Suffix
E	75				-

Position	Code	Specifies	Options
1	E EH	Model	E – Eclipse EH- Eclipse Hypo
2 and 3	75	Pump Size	75 – Max Capacity 20 gpm (75 lpm)
4	X	Housing Material	X – All Non-Metallic pumps
5	L, B	Bearings	L – Carbon B – Silicon Carbide
6	V, E, K	O-rings	V – Viton E – EPDM K – Kalrez
Suffix	LTE STD PRO		

KOPKit Suffix Selection Bills of Material

(Select one option)

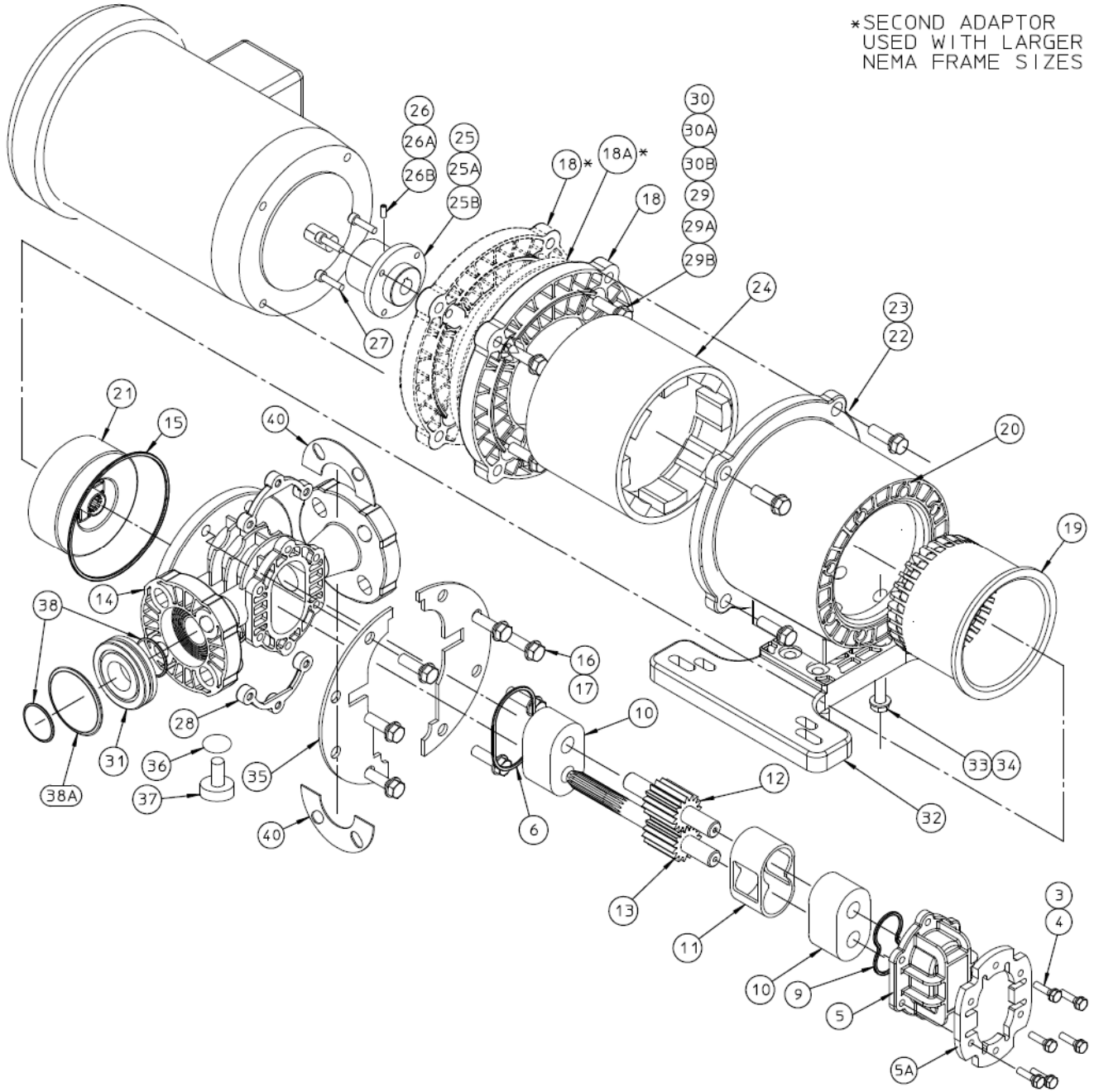
	Description	Item	Qty
-LTE	Liner, Housing	11	1
	Gear Assembly, Drive	13	1
	Gear Assembly, Idler	12	1
	O-ring Cover	6	1

	Description	Item	Qty
-STD	Bearing	10	2
	Liner, Housing	11	1
	Gear Assembly, Drive	13	1
	Gear Assembly, Idler	12	1
	O-ring Cover	6	1
	O-ring Compression	9	2

	Description	Item	Qty
-PRO	Bearing	10	2
	Liner, Housing	11	1
	Gear Assembly, Drive	13	1
	Gear Assembly, Idler	12	1
	O-ring Cover	6	1
	O-ring Compression	9	2
	Bolt	3	6
	Washer	4	6
Plate, Nut	28	2	

Parts Diagram and List, Eclipse 75 Non-metallic

*SECOND ADAPTOR
USED WITH LARGER
NEMA FRAME SIZES



Eclipse Pump Series Size 75 Non-Metallic

Consolidated Bill of Material

Position 1,2,3,4 – Pump Housing Material/Ports

Position 4 Base Pump Material and Port Connection

PVDF Flanged (N)

E75	Description	Item	Part Number:	Material	Qty
Common Parts	Bolt	3	W770429-188	Stainless Steel	6
	Washer	4	NG990019-188	Stainless Steel	6
	Plate, Nut	28	NG990011-188	Stainless Steel	2
	Plate, Reinforcement	35	NG120008-188	Stainless Steel	2
	Plate, Cover Reinforcement	5A	NG120014-188	Stainless Steel	1
	Plate, Flange Reinforcement	40	NG120015-188	Stainless Steel	4
	Bolt	16	W770429-188	Stainless Steel	8
	Washer	17	NG990019-188	Stainless Steel	8
	Gasket, Flange	31	NG130002-VTN	Viton	2
	Name Plate	1	NG550004-304	Stainless Steel	1
	Drive Screw	2	W771000-188	Stainless Steel	2
	Can, Containment	19	NG210007-PVD	Carbon filled PVDF	1
	Driven Magnet Assembly	21	NG200033-TEF	Neo / ETFE	1
	Drive Magnet	24	NG200037-STL	Neo / Steel	1
	Adapter, Spool	20	NG110011-ALU	Aluminum	1
	Base	32	NG970001-PET	Polyester	1
	Bolt	33	W770425-188	Stainless Steel	4
Washer	34	NG990019-188	Stainless Steel	4	
Drain Plug	37	NG990014-FTE	ETFE	1	
N	Housing, Center Flanged	14	NG040024-PVD	Carbon filled PVDF	1
	Cover, Front	5	NG020004-PVD	Carbon filled PVDF	1

Position 5 - Bearing Materials

	Description	Item	Part Number:	Material	Qty
Common Parts	Liner, Housing	11	NG220005-FTE	ETFE	1
	Gear Assembly, Drive	13	NG010020-FTE	ETFE / ALA	1
	Gear Assembly, Idler	12	NG010019-FTE	ETFE / ALA	1
L	Bearing	10	NG080004-CBN	Carbon-92	2
B	Bearing		NG080004-SIC	Silicon Carbide	2

Position 6 - O-ring Material Selection

	Description	Item	Part Number:	Material	Qty
V	O-ring Containment Can	15	NP440163-VTN	Viton	1
	O-ring Cover	6	NP440155-VTN	Viton	1
	O-ring Drain Plug	36	W059100-VTN	Viton	1
	O-ring Compression	9	NP440152-VTN	Viton	1
	Kit, Flange Gasket	31 / 38	NG450002-VTN	TFE / Viton A	2
E	O-ring Containment Can	15	NG440163-NOR	EPDM	1
	O-ring Cover	6	NG440155-NOR	EPDM	1
	O-ring Drain Plug	36	W059100-NOR	EPDM	1
	O-ring Compression	9	NG440152-NOR	EPDM	1
	Kit, Flange Gasket	31 / 38	NG450002-NOR	TFE / EPDM	2
K	O-ring Containment Can	15	NG440163-KLZ	Kalrez	1
	O-ring Cover	6	NG440155-KLZ	Kalrez	1
	O-ring Drain Plug	36	NG440012-KLZ	Kalrez	1
	O-ring Compression	9	NG440152-KLZ	Kalrez	1
	Kit, Flange Gasket	31 / 38	NG450002-KLZ	TFE / Kalrez	2

**Position 7 - NEMA C-Face and IEC B3/14 Metric Frame Magnetic Coupling Arrangement
56C frame components**

	Description	Item	Part Number	Material	Qty
F	Coupling Hub	25A	NG940002-STL	Steel	1
	ADAPTOR	26A	NG110008-PET	Steel	1
	Set Screw	26A	W771004-031	Steel	1
	Bolts	29A	W770429-188	Stainless steel	4
	Washers	30A	NG990019-188	Stainless steel	4
	Bolt	22	W770425-188	Stainless steel	4
	Washer	23	NG990019-188	Stainless steel	4
	Screws	27	W770021-188	Stainless steel	4
Motor Mount Kit #	E75XXXF				

143TC - 182C NEMA frame components

	Description	Item	Part Number:	Material	Qty
O	Coupling Hub	25A	NG940003-STL	Steel	1
	Set Screw	26A	W771004-031	Steel	1
	Bolt	29A	W770425-188	Stainless Steel	4
	Washer	30A	NG990019-188	Stainless Steel	4
	Bolt	22	W770428-188	Stainless Steel	4
	Washer	23	NG990019-188	Stainless Steel	4
	Adapter, Motor	18	NG110008-PET	Polyester	1
	Screw	27	W770021-188	Stainless Steel	4
Motor Mount Kit #	E75XXO				

182TC - 184TC NEMA frame components

	Description	Item	Part Number:	Material	Qty
R	Coupling Hub	25	NG940007-STL	Steel	1
	Set Screw	26	W771004-046	Steel	1
	Bolt	29	W770438-188	Stainless Steel	4
	Washer	30	W771035-188	Stainless Steel	4
	Bolt	22	W770428-188	Stainless Steel	4
	Washer	23	NG990019-188	Stainless Steel	4
	Adapter, Motor	18	NG110008-PET	Polyester	1
	Screw	27	W770021-188	Stainless Steel	4
Motor Mount Kit #	E75XXR				

213TC - 215TC NEMA frame components

	Description	Item	Part Number:	Material	Qty
W	Coupling Hub	25B	NG940015-000	Steel	1
	Set Screw	26B	W771004-041	Steel	1
	Adapter, Motor	18	NG110008-PET	Polyester	2
	Mate, Motor Adaptor	18A	NG110023-STL	Steel	1
	Bolt (motor)	29	W770438-188	Stainless Steel	4
	Washer (motor)	30	W771035-188	Stainless Steel	4
	Bolt – spool	22	W770062-188	Stainless Steel	4
	Washer – spool	23	NG990019-188	Stainless Steel	4
	Screw	27	W770021-188	Stainless Steel	4
Motor Mount Kit #	E75XXW				

Position 7 - NEMA C-Face and IEC B3/14 Metric Frame Magnetic Coupling Arrangement

- Continued

80 IEC B14/B34 frame components

	Description	Item	Part Number:	Material	Qty
K	Coupling Hub 80	25A	NG940005-STL	Steel	1
	Adaptor, Motor	26A	NG110024-ALU	Aluminum	1
	Set Screw	26A	NP991004-001	Steel	1
	Bolt	29A	NP999121-188	Stainless Steel	4
	Washer	30A	NP991017-188	Stainless Steel	4
	Bolt	22	W770427-188	Stainless Steel	4
	Washer	23	NG990019-188	Stainless Steel	4
	Screw	27	W770021-188	Stainless Steel	4
Motor Mount Kit #	E75XXXX				

90 IEC B14/B34 frame components

	Description	Item	Part Number:	Material	Qty
L	Coupling Hub 90	25A	NG940013-STL	Steel	1
	Adaptor, Motor	26A	NG110024-ALU	Aluminum	1
	Set Screw	26A	NP991004-018	Steel	1
	Bolt	29A	NP999004-188	Stainless Steel	4
	Washer	30A	NP991018-188	Stainless Steel	4
	Bolt	22	W770427-188	Stainless Steel	4
	Washer	23	NG990019-188	Stainless Steel	4
	Screw	27	W770021-188	Stainless Steel	4
Motor Mount Kit #	E75XXXL				

100/112 IEC B14/B34 frame components

	Description	Item	Part Number:	Material	Qty
P	Coupling Hub	25B	NG940006-STL	Steel	1
	Set Screw	26B	NP991004-018	Steel	1
	Bolt	29B	W770534-188	Stainless Steel	4
	Washer	30B	NP991018-188	Stainless Steel	4
	Bolt	22	W770428-188	Stainless Steel	4
	Washer	23	NG990019-188	Stainless Steel	4
	Adapter, Motor	18	NG110008-PET	Polyester	1
	Screw	27	W770021-188	Stainless Steel	4
Motor Mount Kit #	E75XXXP				

KOPKit Suffix Selection Bills of Material

(Select one option)

	Description	Item	Qty
-LTE	Liner, Housing	11	1
	Gear Assembly, Drive	13	1
	Gear Assembly, Liner	12	1
	O-ring Cover	6	1

	Description	Item	Qty
-STD	Bearing	10	2
	Liner, Housing	11	1
	Gear Assembly, Drive	13	1
	Gear Assembly, Liner	12	1
	O-ring Cover	6	1
	O-ring Compression	9	2

	Description	Item	Qty
-PRO	Bearing	10	2
	Liner, Housing	11	1
	Gear Assembly, Drive	13	1
	Gear Assembly, Liner	12	1
	O-ring Cover	6	1
	O-ring Compression	9	2
	Bolt	3	6
	Washer	4	6
Plate, Nut	28	2	

REVISION CONTROL

REV.	DATE	DESCRIPTION OF CHANGE(s)	APPROVAL
0	01/04/19	New Release	JM