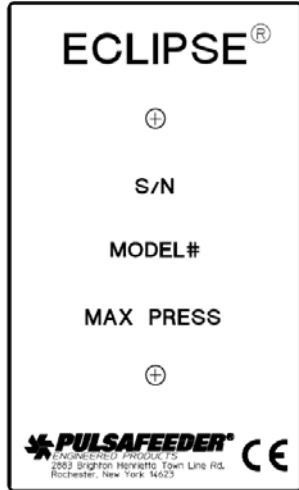


E12 / EH12 Eclipse Pump Non-metallic

Pump Nameplate



Eclipse Model Structure

1	2/3	4	5	6	7	8	9
E	12					-	

Pump Model Identification

Position	Code	Specifies	Options
1	E EH	Model	E – Eclipse EH- Eclipse Hypo
2 and 3	12	Pump Size	12 – Max. Capacity 3.5 gpm (13.21 lpm)
4	K, M	Housing Material	K – PVDF, FNPT M – PVDF, BSPT
5	L, B	Bearings	L – Carbon B – Silicon Carbide
6	V, E, K,	O-rings	V – Viton E – EPDM K – Kalrez
7	F, O, H, J K, Y	Motor Mounting	F – NEMA 56C O – NEMA 143/5TC-182/4C H – IEC 63 B3/B14 J – IEC 71 B3/B14 K – IEC 80 B3/B14 Y – No Motor Mounting Kit
8	-		Dash

Pump Model Identification - Continued

Position	Code	Specifies	Options
9	X, N A,B X-ATEX A-ATEX N-ATEX B-ATEX	Options	<p>X – Ceramic shafts and Teflon gears</p> <p>A- Bearing Flush Port (1x 1/8" FNPT / BSPT Connection located in the center of the front cover)</p> <p>N – Pump Wet End Only</p> <p>B- Combination Of 9th Position Options "A" AND "N"</p> <p>X-ATEX Standard Pump with ATEX Directive - CE-EX II 2G T6 II 2D T6</p> <p>A-ATEX Bearing Flush with ATEX Directive - CE Ex II 2G T6 II 2D T6</p> <p>N-ATEX - Wet end only with ATEX Directive - CE-EX II 2G T6 II 2D T6</p> <p>B-ATEX Wet End Only and Bearing Flush with ATEX Directive - CE Ex II 2G T6 II 2D T6</p>

KOPkit Part Number Identification

Eclipse KOP kit Structure

1	2/3	4	5	6	Suffix
E	12				-

Position	Code	Specifies	Options
1	E EH	Model	E – Eclipse EH – Eclipse Hypo
2 and 3	12	Pump Size	12 – Max. Capacity 3.5 gpm(13.2 lpm)
4	X	Housing Material	X – All Non-Metallic pumps
5	L, B	Bearings	L – Carbon B – Silicon Carbide
6	V, E, K	O-rings	V – Viton E – EPDM K – Kalrez
Suffix	LTE STD PRO		

KOPKit Suffix Selection Bills of Material

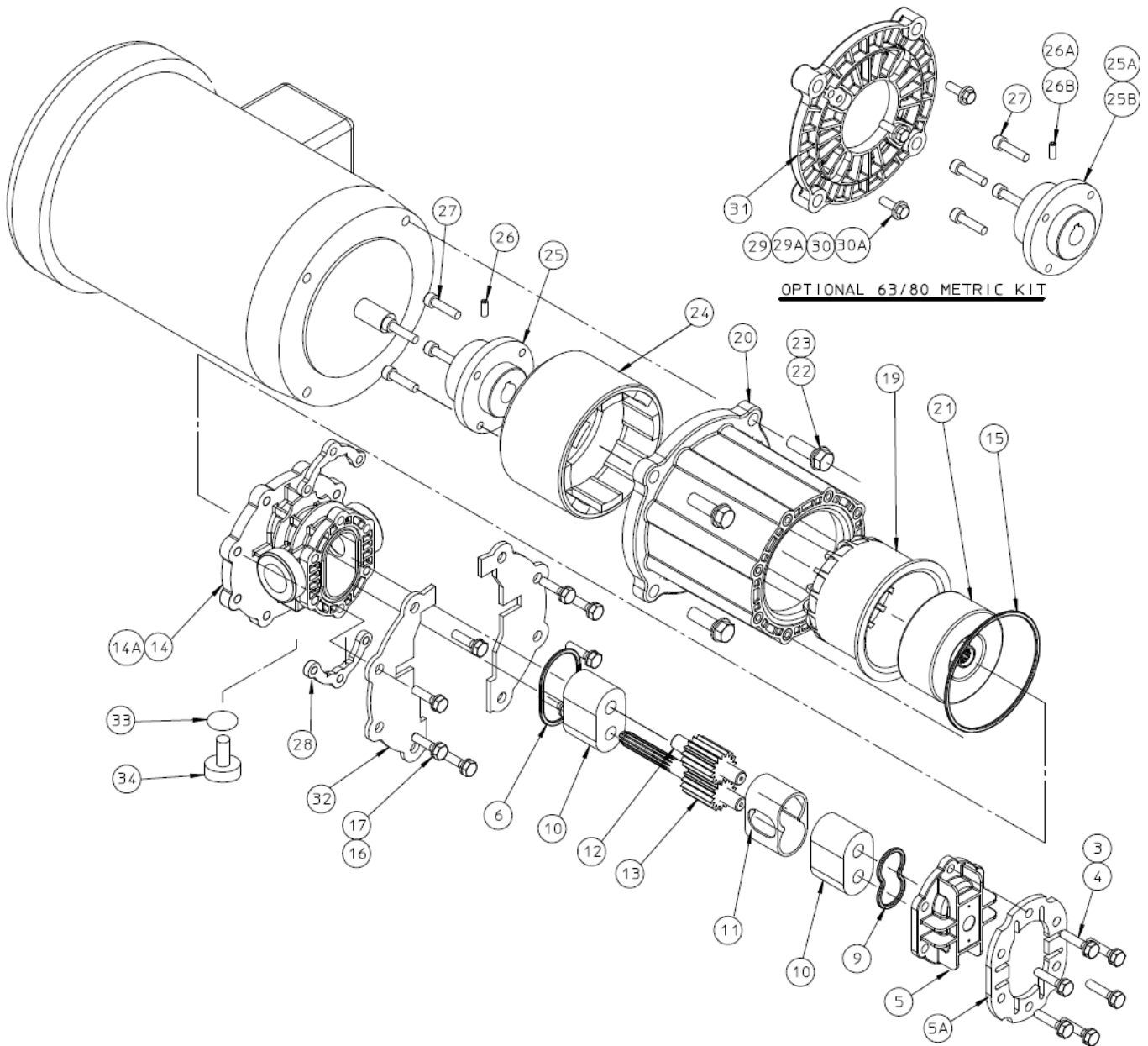
(Select one option)

	Description	Item	Qty
-LTE	Liner, Housing	11	1
	Gear Assembly, Drive	13	1
	Gear Assembly, Idler	12	1
	O-ring Cover	6	1

	Description	Item	Qty
-STD	Bearing	10	2
	Liner, Housing	11	1
	Gear Assembly, Drive	13	1
	Gear Assembly, Idler	12	1
	O-ring Cover	6	1
	O-ring Compression	9	2

	Description	Item	Qty
-PRO	Bearing	10	2
	Liner, Housing	11	1
	Gear Assembly, Drive	13	1
	Gear Assembly, Idler	12	1
	O-ring Cover	6	1
	O-ring Compression	9	2
	Bolt	3	6
	Washer	4	6
Plate, Nut	28	2	

Parts Diagram and List, Eclipse 12 Non-Metallic



Eclipse Pump Series Size 12 Non-Metallic

Consolidated Bill of Material

Position 1,2,3,4, - Pump Housing Material/Ports

Position 4 Base Pump Material and Port Connection

			PVDF (K or M)		
E12	Description	Item	Part Number	Material	Qty
Common Parts	Bolt	3	W770404-188	Stainless Steel	6
	Washer	4	NG990018-188	Stainless Steel	6
	Plate, Nut	28	NG990009-188	Stainless Steel	2
	Bolt	16	W770403-188	Stainless Steel	8
	Washer	17	NG990018-188	Stainless Steel	8
	Name Plate	1	NG550003-304	Stainless Steel	1
	Drive Screw	2	W771000-188	Stainless Steel	2
	Can, Containment	19	NG210005-PVD	Carbon-filled PVDF	1
	Driven Magnet Assembly	21	NG200031-TEF	Neo / TEF	1
	Drive Magnet	24	NG200035-STL	Neo / Steel	1
	Plate, Cover Reinforcement	5A	NG120012-188	Stainless Steel	1
	Adapter, Spool	20	NG110010-PET	Polyester	1
	Plug, Drain	34	NG990014-FTE	ETFE	1
	Cover, Front	5	NG020002-PVD	Carbon-filled PVDF	1
	Plate, Reinforcement	32	NG120006-188	Stainless Steel	2
K	Housing, Center FNPT	14	NG040028-PVD	Carbon-filled PVDF	1
M	Housing, Center BSPT		NG040028-PVD	Carbon-filled PVDF	

Position 5 - Bearing Materials

	Description	Item	Part Number:	Material	Qty
Common Parts	Liner, Housing	11	NG220006-FTE	ETFE	1
	Gear Assembly, Drive	13	NG010022-FTE	ETFE / ALA	1
	Gear Assembly, Idler	12	NG010021-FTE	ETFE / ALA	1
L	Bearing	10	NG08002-CBN	Carbon-92	2
B	Bearing		NG080002-SIC	Silicon Carbide	

Position 6 - O-ring Material Selection

	Description	Item	Part Number:	Material	Qty
V	O-ring Containment Can	15	NG440154-VTA	Viton A	1
	O-ring Cover	6	NG440137-VTA	Viton A	1
	O-ring Drain Plug	33	NG440012-VTA	Viton A	1
	O-ring Compression	9	NG440129-VTA	Viton A	1
E	O-ring Containment Can	15	NG440154-N0R	EPDM	1
	O-ring Cover	6	NG440137-N0R	EPDM	1
	O-ring Drain Plug	33	W059100-N0R	EPDM	1
	O-ring Compression	9	NG440129-N0R	EPDM	1
K	O-ring Containment Can	15	NG440154-KLZ	Kalrez	1
	O-ring Cover	6	NG440137-KLZ	Kalrez	1
	O-ring Drain Plug	33	NG440012-KLZ	Kalrez	1
	O-ring Compression	9	NG440129-KLZ	Kalrez	1

Position 7 - NEMA C-Face and IEC B34 Metric Frame Magnetic Coupling Arrangement 56C NEMA frame components

	Description	Item	Part Number	Material	Qty
F	Coupling Hub	25	NG940002-STL	Steel	1
	Set Screw	26	W771004-031	Steel	1
	Bolt	22	W770425-188	Stainless Steel	4
	Washer	23	NG990019-188	Stainless Steel	4
	Screw	27	W770021-188	Stainless Steel	4
Motor Mount Kit #	E12XXXF				

**Position 7 - NEMA C-Face and IEC B34 Metric Frame Magnetic Coupling Arrangement
-Continued**

143TC - 182C NEMA frame components

	Description	Item	Part Number	Material	Qty
O	Coupling Hub	25	NG940003-STL	Steel	1
	Set Screw	26	W771004-031	Steel	1
	Bolt	22	W770425-188	Stainless Steel	4
	Washer	23	NG990019-188	Stainless Steel	4
	Screw	27	W770021-188	Stainless Steel	4
Motor Mount Kit #	E12XXXO				

63 IEC B34 frame components

	Description	Item	Part Number	Material	Qty
H	Coupling Hub	25A	NG940004-STL	Steel	1
	Set Screw	26A	NP991004-017	Steel	1
	Adapter, Motor	31	NG110005-PET	Polyester	1
	Bolt	29	NP990418-188	Stainless Steel	4
	Washer	30	NP991016-188	Stainless Steel	4
	Bolt	22	W770426-188	Stainless Steel	4
	Washer	23	NG990019-188	Stainless Steel	4
	Screw	27	W770021-188	Stainless Steel	4
Motor Mount Kit #	E12XXXH				

71 IEC B34 frame components

	Description	Item	Part Number	Material	Qty
J	Coupling Hub	25A	NG940011-STL	Steel	1
	Set Screw	26A	NG990027-188	Steel	1
	Adapter, Motor	31	NG110019-ALU	Aluminum	1
	Bolt	29	W770546-188	Stainless Steel	4
	Bolt	22	W770426-188	Stainless Steel	4
	Washer	23	NG990019-188	Stainless Steel	4
	Screw	27	W770021-188	Stainless Steel	4
	Motor Mount Kit #	E12XXXJ			

80 IEC B34 frame components

	Description	Item	Part Number	Material	Qty
K	Coupling Hub	25B	NG940005-STL	Steel	1
	Set Screw	26B	NP991004-001	Steel	1
	Adapter, Motor	31	NG110005-PET	Polyester	1
	Bolt	29A	W770546-188	Stainless Steel	4
	Washer	30A	NP991017-188	Stainless Steel	4
	Bolt	22	W770426-188	Stainless Steel	4
	Washer	23	NG990019-188	Stainless Steel	4
	Screw	27	W770021-188	Stainless Steel	4
Motor Mount Kit #	E12XXXK				

KOPKit Suffix Selection Bill of Materials

(Select one option)

	Description	Item	Qty
-LTE	Liner, Housing	11	1
	Gear Assembly, Drive	13	1
	Gear Assembly, Idler	12	1
	O-ring Cover	6	1

	Description	Item	Qty
-STD	Bearing	10	2
	Liner, Housing	11	1
	Gear Assembly, Drive	13	1
	Gear Assembly, Idler	12	1
	O-ring Cover	6	1
	O-ring Compression	9	2

	Description	Item	Qty
-PRO	Bearing	10	2
	Liner, Housing	11	1
	Gear Assembly, Drive	13	1
	Gear Assembly, Idler	12	1
	O-ring Cover	6	1
	O-ring Compression	9	2
	Bolt	3	6
	Washer	4	6
Plate, Nut	28	2	

REVISION CONTROL

REV.	DATE	DESCRIPTION OF CHANGE(s)	APPROVAL
0	01/04/19	New Release	JM
1	06/05/19	Magnet driven assembly material updated.Update description to gear assembly liner.	KE