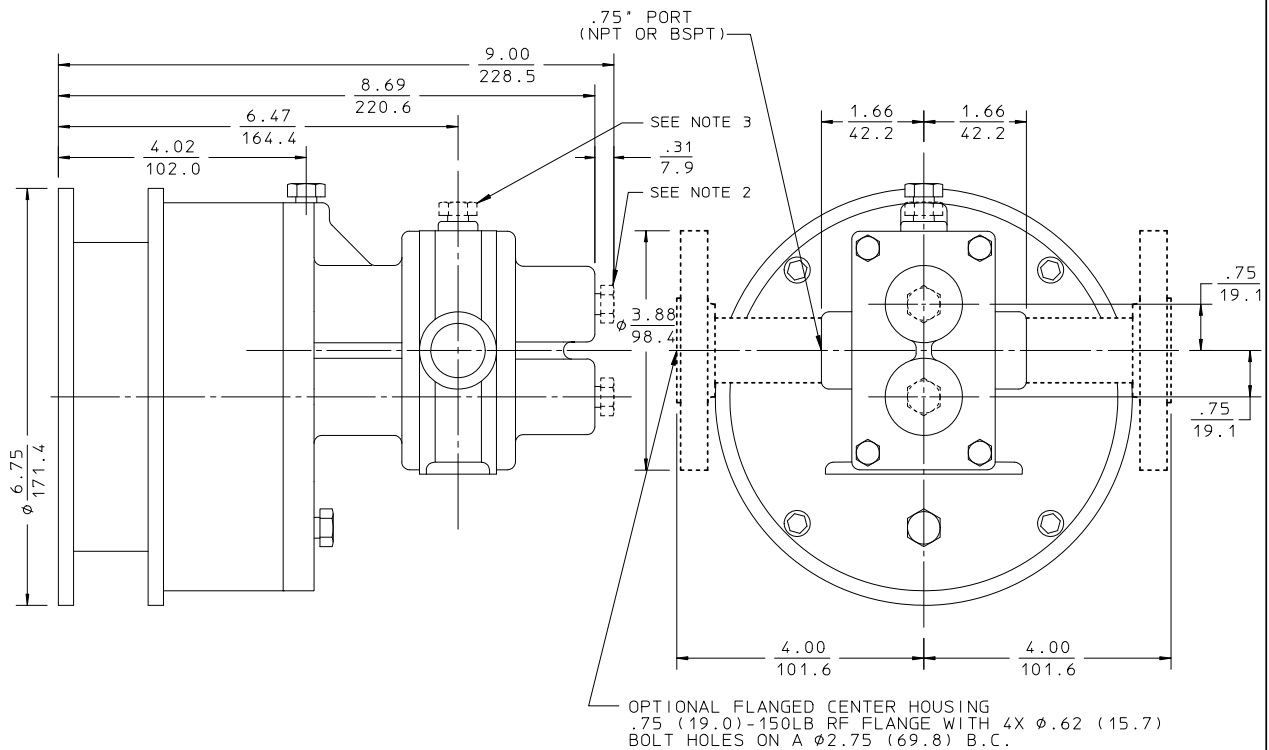


## Table of Contents

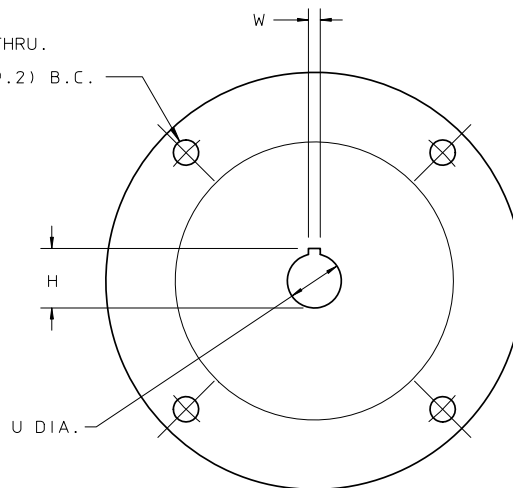
---

Pump unmted for 56C, 143TC - 184C Fr Motors	1
Pump unmted for 80C Fr Motor	2
Pump Unmted for 90C Fr Motor	3
Pump Mtd for 56C, 184C Fr Motor	4
Mtd Base and Pedestal 56-145T Fr Motor	5
Mtd Base and Pedestal 182-184T Fr Motor	6
Pedestal Mounted	7



4X  $\phi$ .41 (10.4) THRU.  
 EQUALLY SPACED  
 ON A  $\phi$ 5.875 (149.2) B.C.

MOTOR FRAME	U DIA. SHAFT	W KEY WIDTH	H KEY HIGHT
56C	.625 15.9	.188 4.7	.71 18.0
143TC	.875 22.2		.96 24.4
145TC			
182C			
184C			



### MOTOR MOUNTING

NOTES:

- SUCTION AND DISCHARGE PORTS DEPENDENT UPON PUMP SHAFT ROTATION.
- BEARING FLUSH AND DRAIN PLUGS (.12 NPT) ARE OPTIONAL.
- VENT PLUG (.12 NPT) OPTIONAL.
- MUST USE FOOT MOUNTED C-FACE MOTOR OF SPECIFIED FRAME SIZE.

ALL DIMENSIONS ARE INCHES / MM

**Isochem** **PULSAFEEDER**  
 A Unit of IDEX Corporation

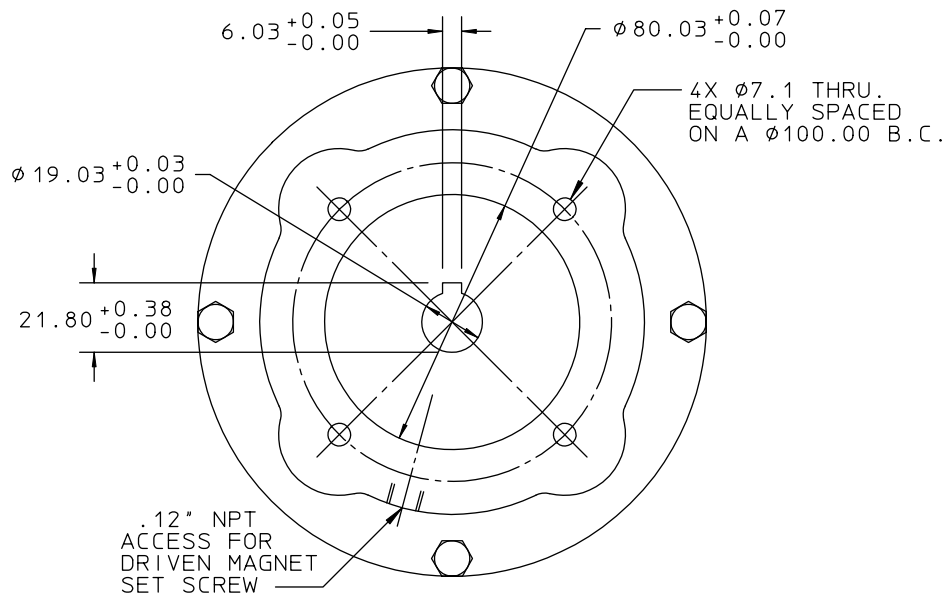
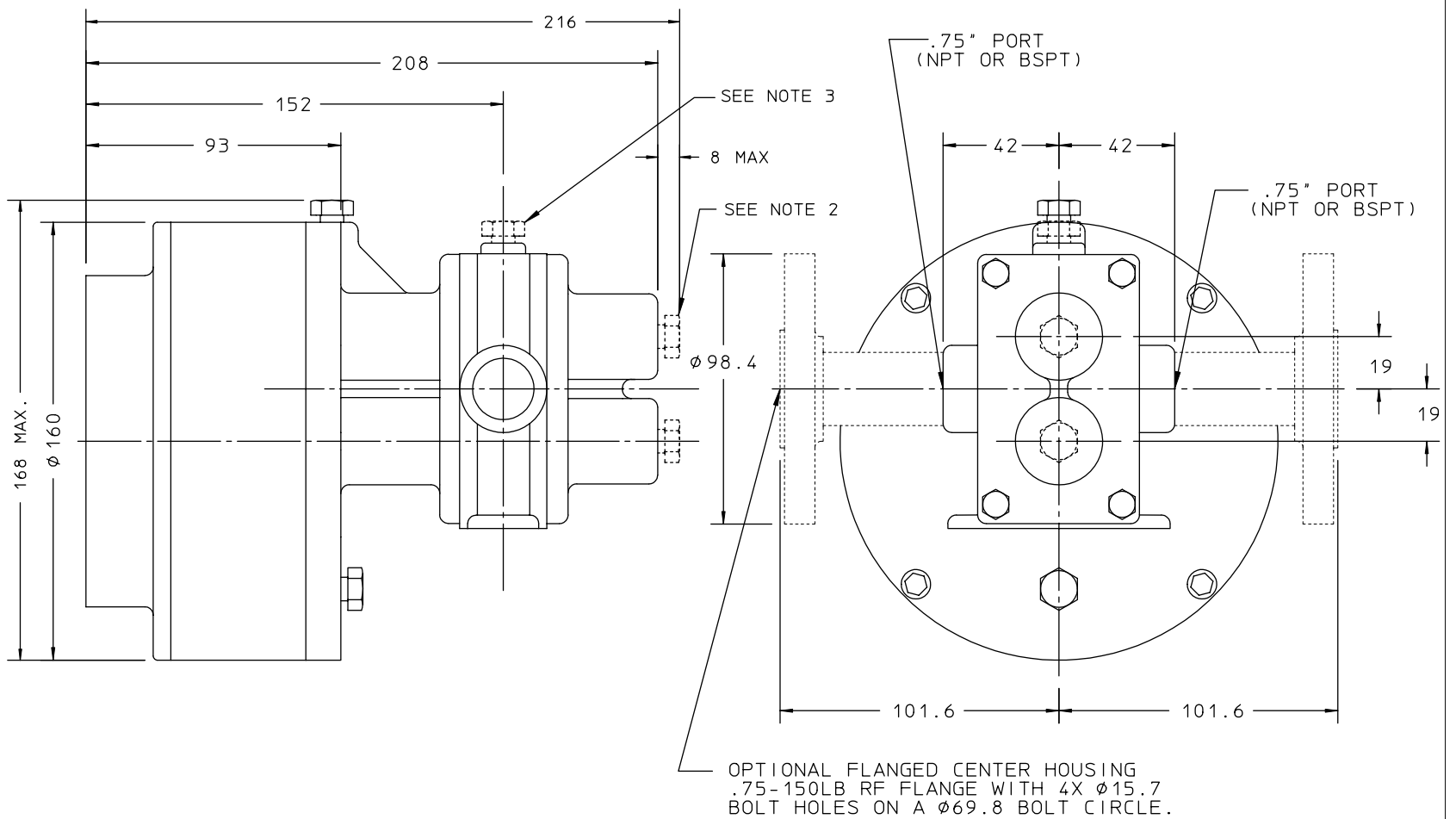
MODEL GMC6  
 PUMP UNMTD FOR 56C,  
 143TC - 184C FR MOTORS

DWN BY: CLA  
 DATE: 09/15/97

SD2568

REF	REVISION UPDATE	DATE
A	REMOVED GM FROM DESCRIPTION	08/14/13

SECTION/PAGE	MODEL GMC6 / 300
EFFECTIVE	08/14/13
SUPERSEDES	03/27/01



### MOTOR MOUNTING

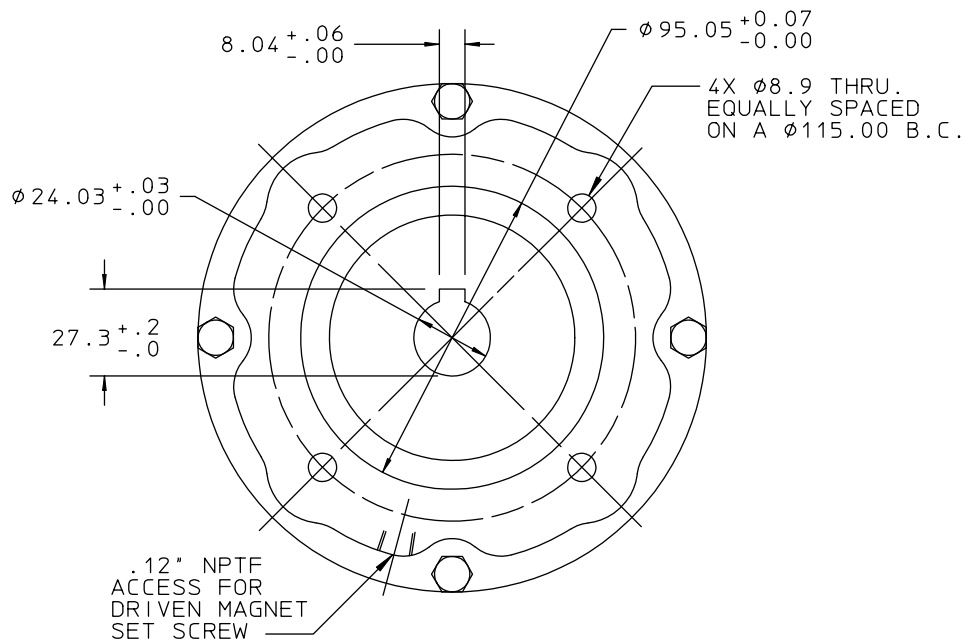
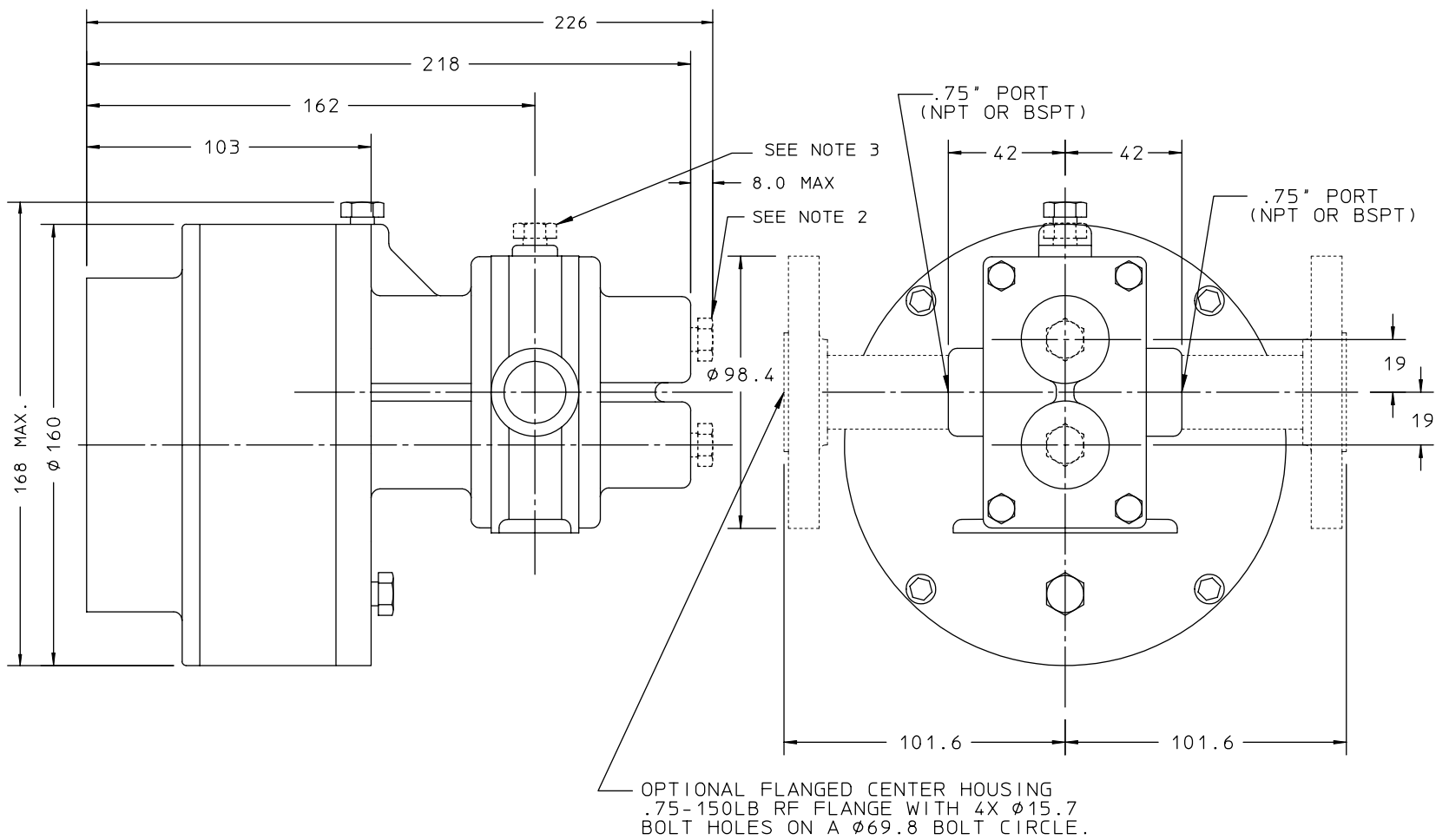
NOTES:

1. SUCTION AND DISCHARGE PORTS DEPENDENT UPON PUMP SHAFT ROTATION.
2. BEARING FLUSH AND DRAIN PLUGS (.12 NPT) ARE OPTIONAL.
3. VENT PLUG (.12 NPT) OPTIONAL.
4. MUST USE FOOT MOUNTED 80 FRAME C-FACE MOTOR.
5. FLANGE SIZE IS IN INCHES.

REF	ADDED OPTIONAL FLANGE	03/27/01
	REVISION UPDATE	DATE

SECTION/PAGE	MODEL GM6 / 301
EFFECTIVE	03/27/01
SUPERSEDES	04/01/98

ALL DIMENSIONS ARE IN MM	
<b>Isochem</b>	<b>PULSAFEEDER</b> A Unit of IDEX Corporation
MODEL GMC6 PUMP UNMTD FOR 80C FR MOTOR	
DWN BY: CLA	SD2890
DATE: 09/15/97	



## MOTOR MOUNTING

### NOTES:

- SUCTION AND DISCHARGE PORTS DEPENDENT UPON PUMP SHAFT ROTATION.
- BEARING FLUSH AND DRAIN PLUGS (.12 NPT) ARE OPTIONAL.
- VENT PLUG (.12 NPT) OPTIONAL.
- MUST USE FOOT MOUNTED 90 FRAME C-FACE MOTOR.
- FLANGE SIZE IS IN INCHES.

SECTION/PAGE	MODEL GM6 / 302
EFFECTIVE	03/27/01
SUPERSEDES	04/01/98

ALL DIMENSIONS ARE IN MM

**Ischem** **PULSAFEEDER**  
 A Unit of IDEX Corporation

MODEL GMC6  
 PUMP UNMTD FOR 90C  
 FR MOTOR

DWN BY: CLA  
 DATE: 09/15/97 SD2865

REF	ADDED OPTIONAL FLANGE REVISION UPDATE	03/27/01	DATE
-----	---------------------------------------	----------	------

REF	REMOVED GM FROM DESCRIPTION	08/14/13
	REVISION UPDATE	DATE

SECTION/PAGE	MODEL
EFFECTIVE	GMC6 / 303
SUPERSEDES	08/14/13
	03/27/01

ALL DIMENSIONS ARE IN INCHES

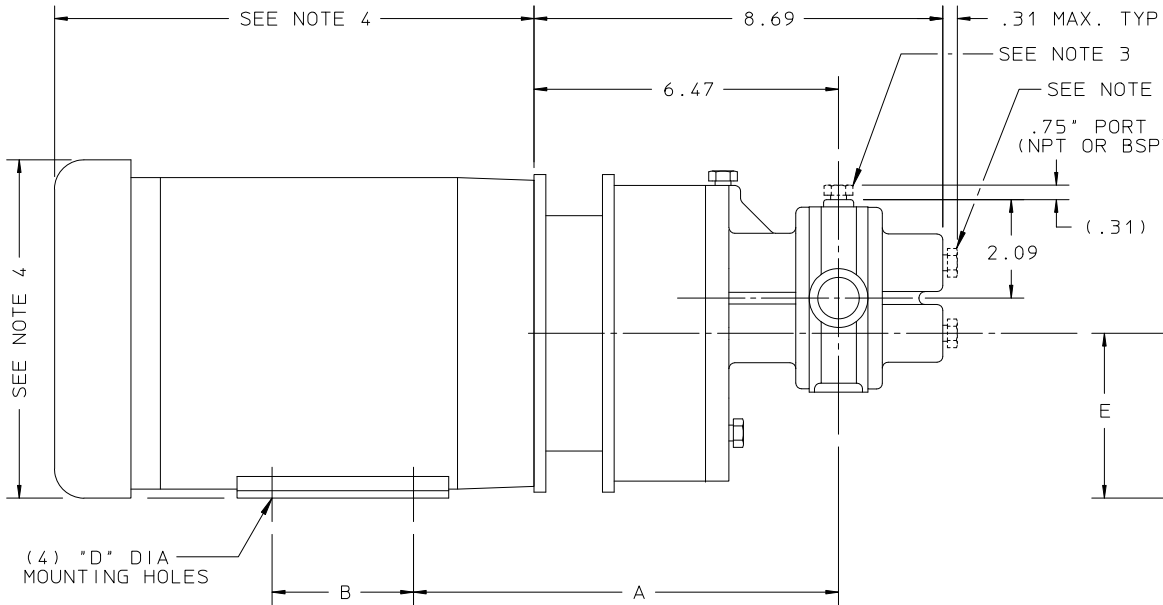
**Ischemet**  
A Unit of IDEX Corporation

**PULSAFEEDER**

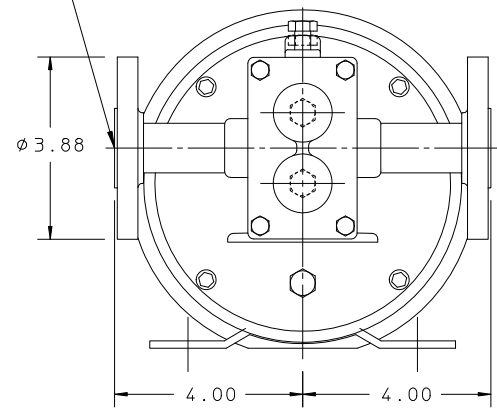
MODEL GMC6  
PUMP MTD FOR 56C MOTOR  
143TC - 184C FR MOTOR

DWN BY: PFW  
DATE: 11/09/94

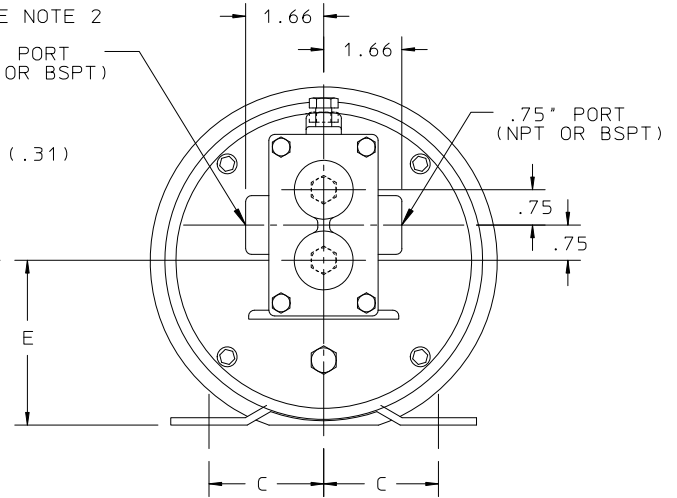
SD2571



PORT CONNECTIONS  
.75-150LB RF FLANGE WITH 4X  $\phi$ .62  
BOLT HOLES ON A  $\phi$ 2.75 BOLT CIRCLE.



VIEW WITH FLANGED  
CENTER HOUSING



(4) "D" DIA  
MOUNTING HOLES

NOTES:

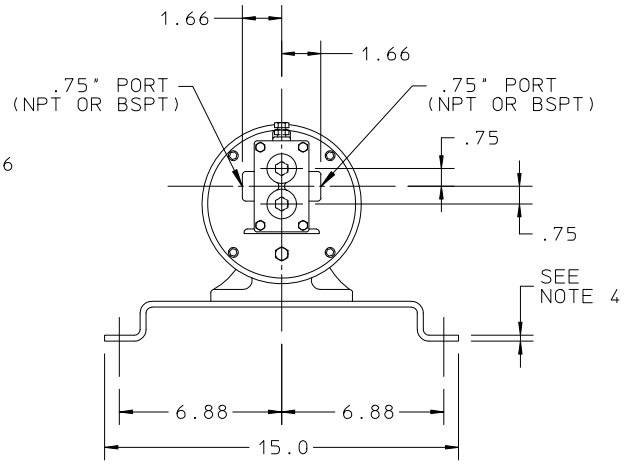
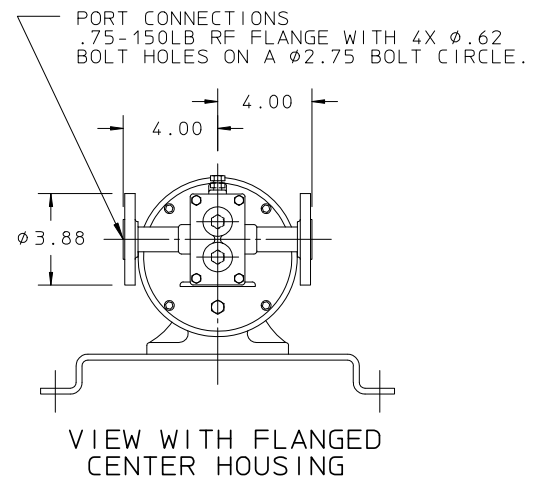
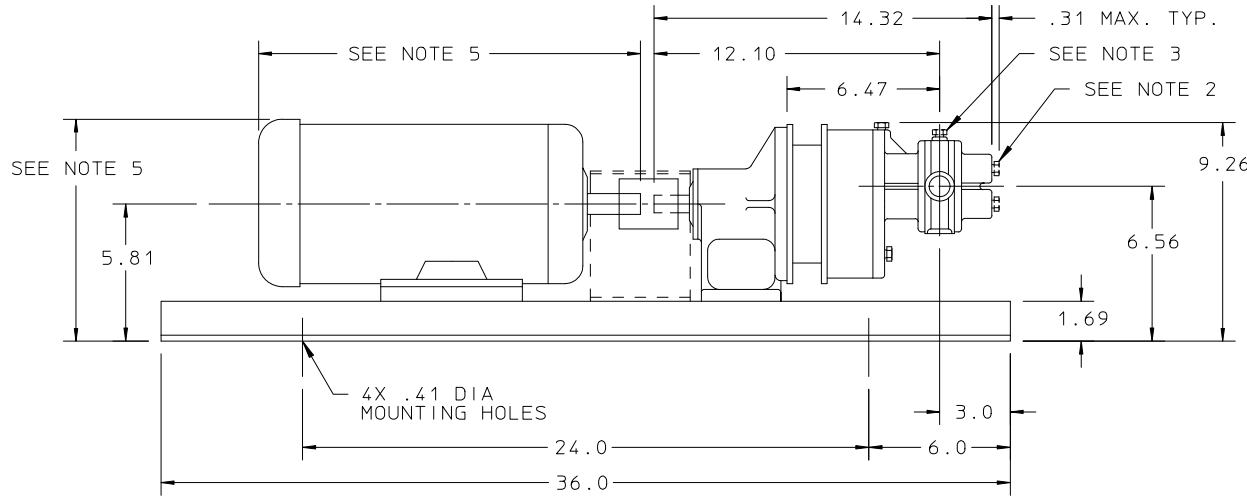
- SUCTION AND DISCHARGE PORTS DEPENDENT UPON PUMP SHAFT ROTATION.
- BEARING FLUSH AND DRAIN PLUGS (.12 NPTF) ARE OPTIONAL.
- VENT PLUG (.12 NPTF) OPTIONAL.
- MOTOR DIMENSIONS VARY BY MANUFACTURER. CONSULT MANUFACTURERS DRAWING FOR SPECIFICS.

MOTOR FRAME	A	B	C	D	E
56C	9.09	3.00	2.44	.34	3.50
143TC	9.09	4.00	2.75	.34	3.50
145TC	9.09	5.00	2.75	.34	3.50
182C	9.09	4.50	3.75	.41	4.50
184C	9.09	5.50	3.75	.41	4.50

REF REMOVED GM FROM DESCRIPTION  
 REVISION UPDATE 08/14/13

SECTION/PAGE EFFECTIVE  
 MODEL GMC6 / 304  
 08/14/13  
 SUPPERSEDES 03/27/01

ALL DIMENSIONS ARE IN INCHES  
**Inchem**  
**SPIN SAFETY**  
 A Unit of IDEX Corporation  
 MODEL GMC6  
 MTD BASE AND PEDESTAL  
 56-145T FRAME MOTORS  
 DWN BY: JEM JR  
 DATE: 10/27/89  
 SD2679



- NOTES:
1. SUCTION AND DISCHARGE PORTS ARE DEPENDENT UPON PUMP SHAFT ROTATION.
  2. BEARING FLUSH AND DRAIN PLUGS (.12 NPT) ARE OPTIONAL.
  3. VENT PLUG (.12 NPT) OPTIONAL.
  4. MATERIAL THICKNESS:  
 STEEL .25 THK.  
 STAINLESS STEEL .19 THK.
  5. MOTOR DIMENSIONS VARY BY MANUFACTURER.  
 CONSULT MANUFACTURER'S DRAWING FOR SPECIFICS.

REF REMOVED GM FROM DESCRIPTION  
REVISION UPDATE

08/14/13  
DATE

SECTION/PAGE  
EFFECTIVE  
SUPERSEDES

MODEL GMC6 / 305  
08/14/13  
03/27/01

ALL DIMENSIONS ARE IN INCHES

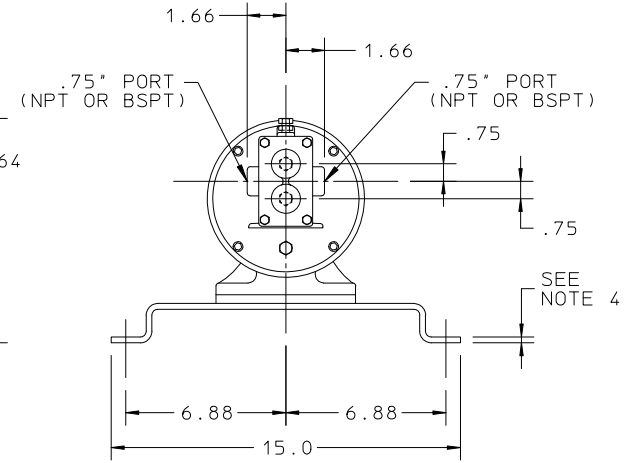
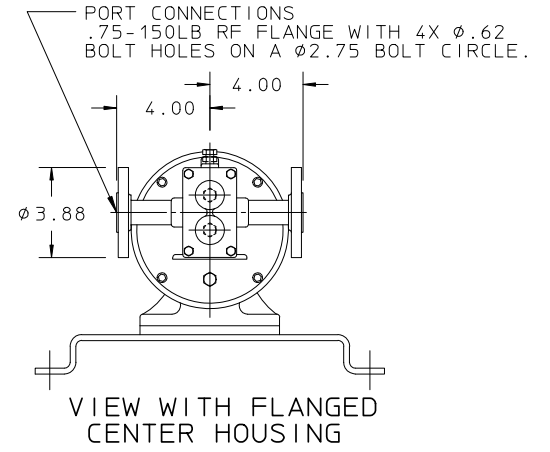
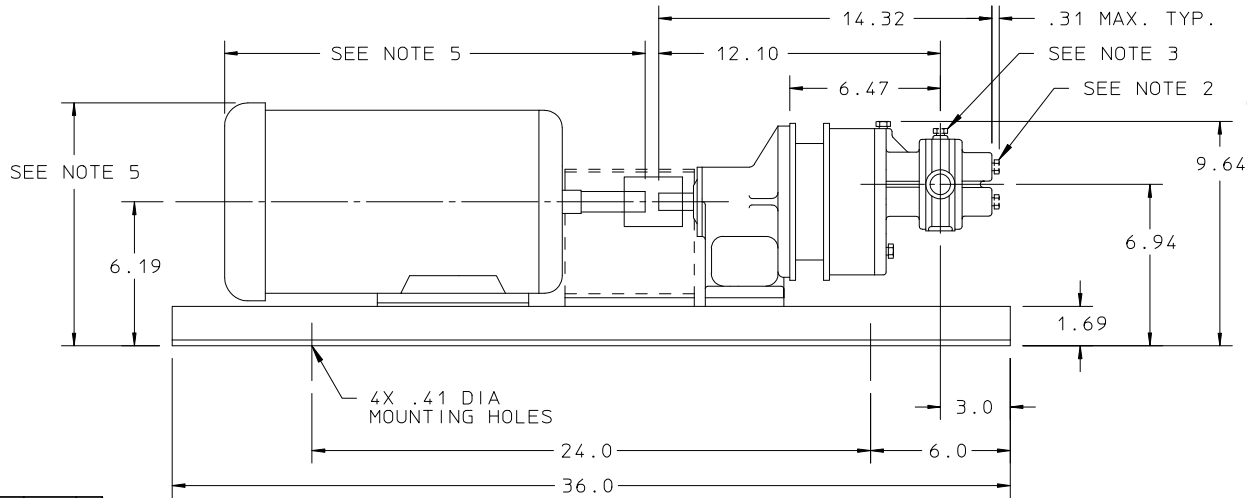
**Ischem**  
A Unit of IDEX Corporation

**Pulsafeeder**

MODEL GMC6  
MTD BASE AND PEDESTAL  
182-184T  
FRAME MOTORS

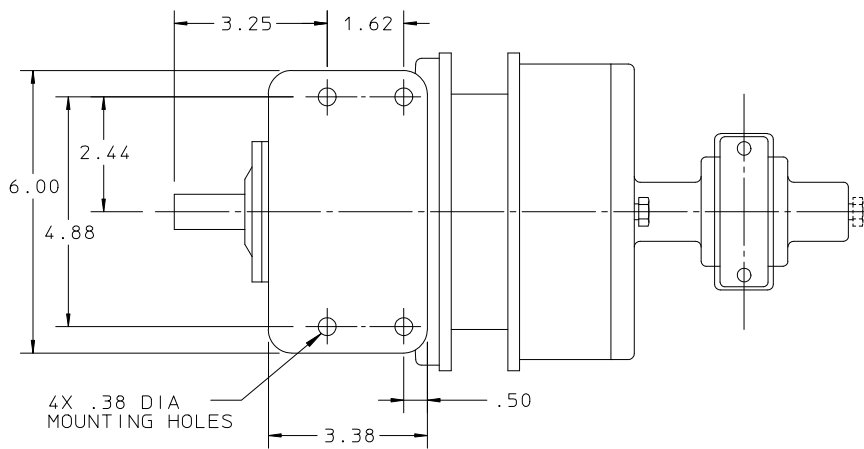
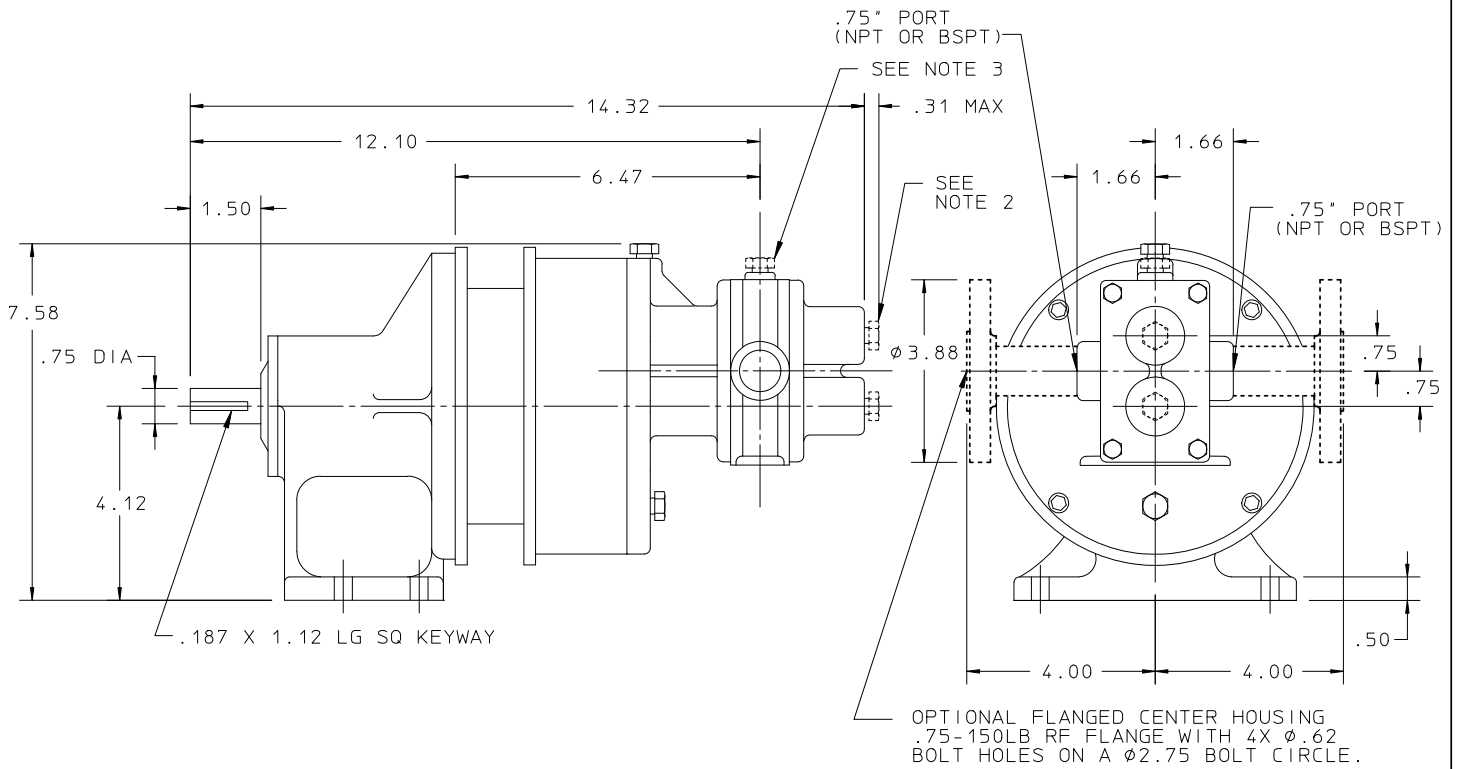
DWN BY: JEM JR  
DATE: 10/27/89

SD2680



NOTES:

1. SUCTION AND DISCHARGE PORTS ARE DEPENDENT UPON PUMP SHAFT ROTATION.
2. BEARING FLUSH AND DRAIN PLUGS (.12 NPT) ARE OPTIONAL.
3. VENT PLUG (.12 NPT) OPTIONAL.
4. MATERIAL THICKNESS:  
STEEL .25 THK.  
STAINLESS STEEL .19 THK.
5. MOTOR DIMENSIONS VARY BY MANUFACTURER.  
CONSULT MANUFACTURER'S DRAWING FOR SPECIFICS.



NOTES:

1. SUCTION AND DISCHARGE PORTS ARE DEPENDENT UPON PUMP SHAFT ROTATION.
2. BEARING FLUSH AND DRAIN PLUGS (.12 NPT) ARE OPTIONAL.
3. VENT PLUG (.12 NPT) OPTIONAL.

ALL DIMENSIONS ARE IN INCHES	
<b>Isocem</b>	<b>PULSAFEEDER</b> A Unit of IDEX Corporation
MODEL GMC6 PEDESTAL MOUNTED	
DWN BY: PFM	SD2691
DATE: 05/11/90	

SECTION/PAGE	MODEL GMC6 / 306
EFFECTIVE	08/14/13
SUPERSEDES	03/27/01

REF	REMOVED GM FROM DESCRIPTION	08/14/13
	REVISION UPDATE	DATE