

Table of Contents

---

PUMP UNMTD FOR 56c-143TC-184C FR MOTOR ..... 1

PUMP UNMTD FOR 71C FR MOTOR ..... 2

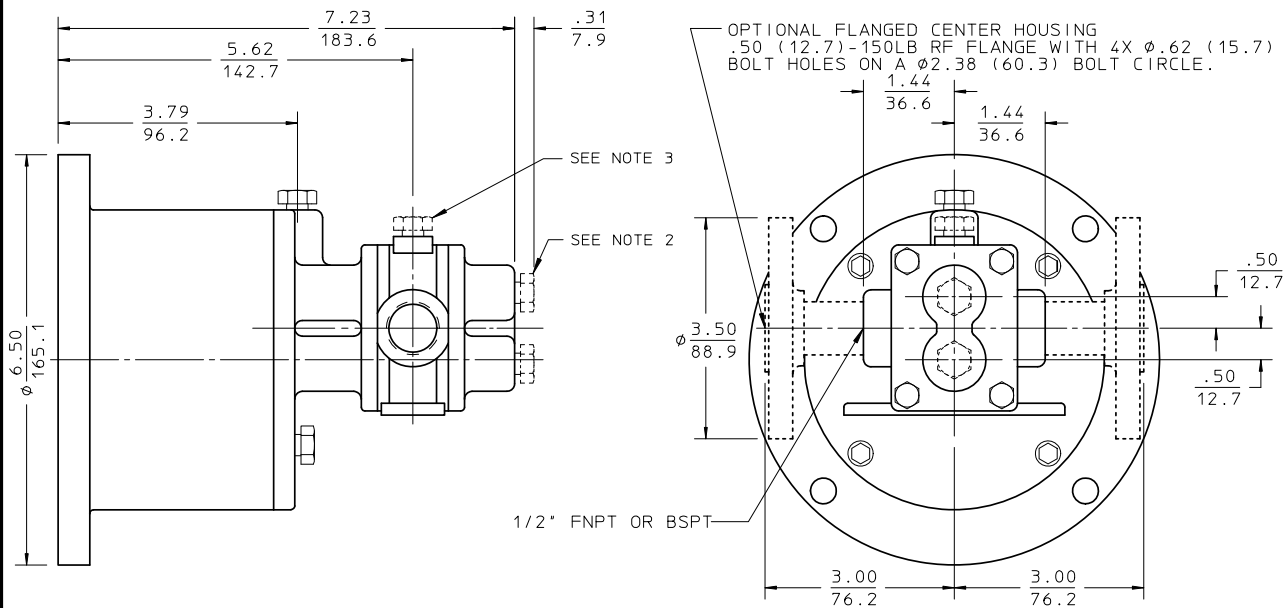
PUMP UNMTD FOR 80C FR MOTOR ..... 3

PUMP MTD FOR 56C , 143TC- 184C FR MOTOR ..... 4

MTD BASE AND PEDESTAL 56-145T FR MOTOR ..... 5

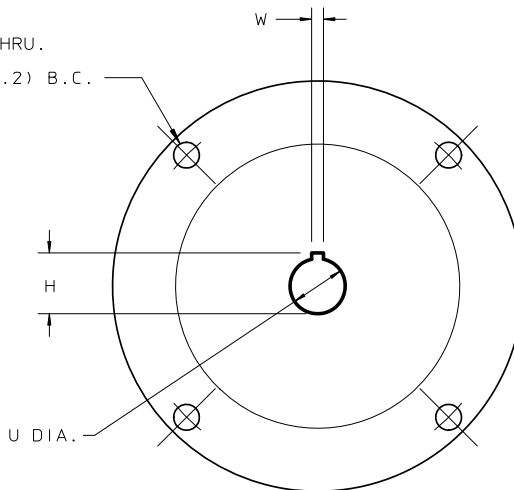
MTD BASE AND PEDESTAL 192-184T FRAME MOTORS ..... 6

PEDESTAL AND MOUNTED ..... 7



4X  $\phi$ .41 (10.4) THRU.  
EQUALLY SPACED  
ON A  $\phi$ 5.875 (149.2) B.C.

MOTOR FRAME	U DIA. SHAFT	W KEY WIDTH	H KEY HIGHT
56C	.625 15.9	.188 4.7	.71 18.0
143TC	.875 22.2		.96 24.4
145TC			
182C			
184C			



### MOTOR MOUNTING

**NOTES:**

- SUCTION AND DISCHARGE PORTS DEPENDENT UPON PUMP SHAFT ROTATION.
- BEARING FLUSH AND DRAIN PLUGS (.12 NPT) ARE OPTIONAL.
- VENT PLUG (.12 NPT) OPTIONAL.
- MUST USE FOOT MOUNTED C-FACE MOTOR OF SPECIFIED FRAME SIZE.

ALL DIMENSIONS ARE INCHES / MM

**Isochem** **PULSAFEEDER**  
A Unit of IDEX Corporation

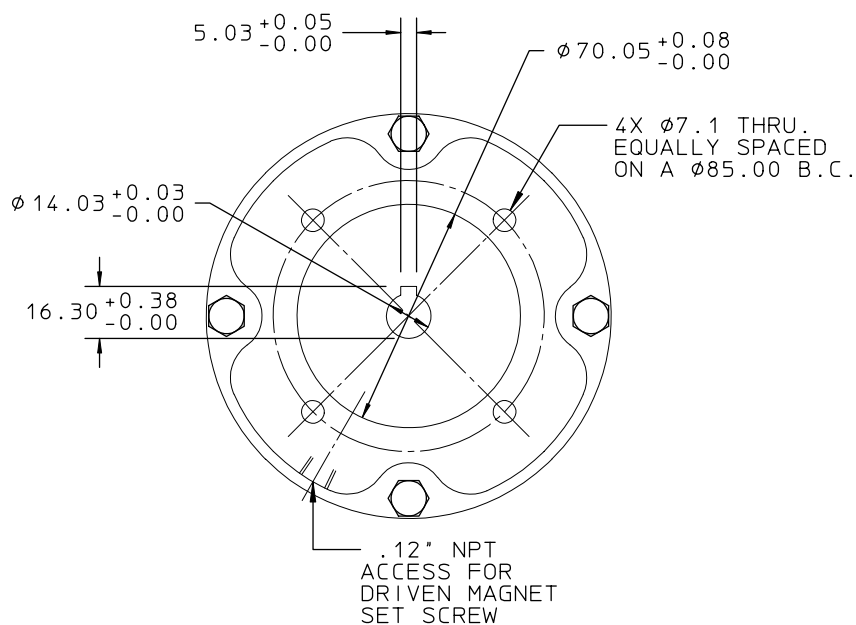
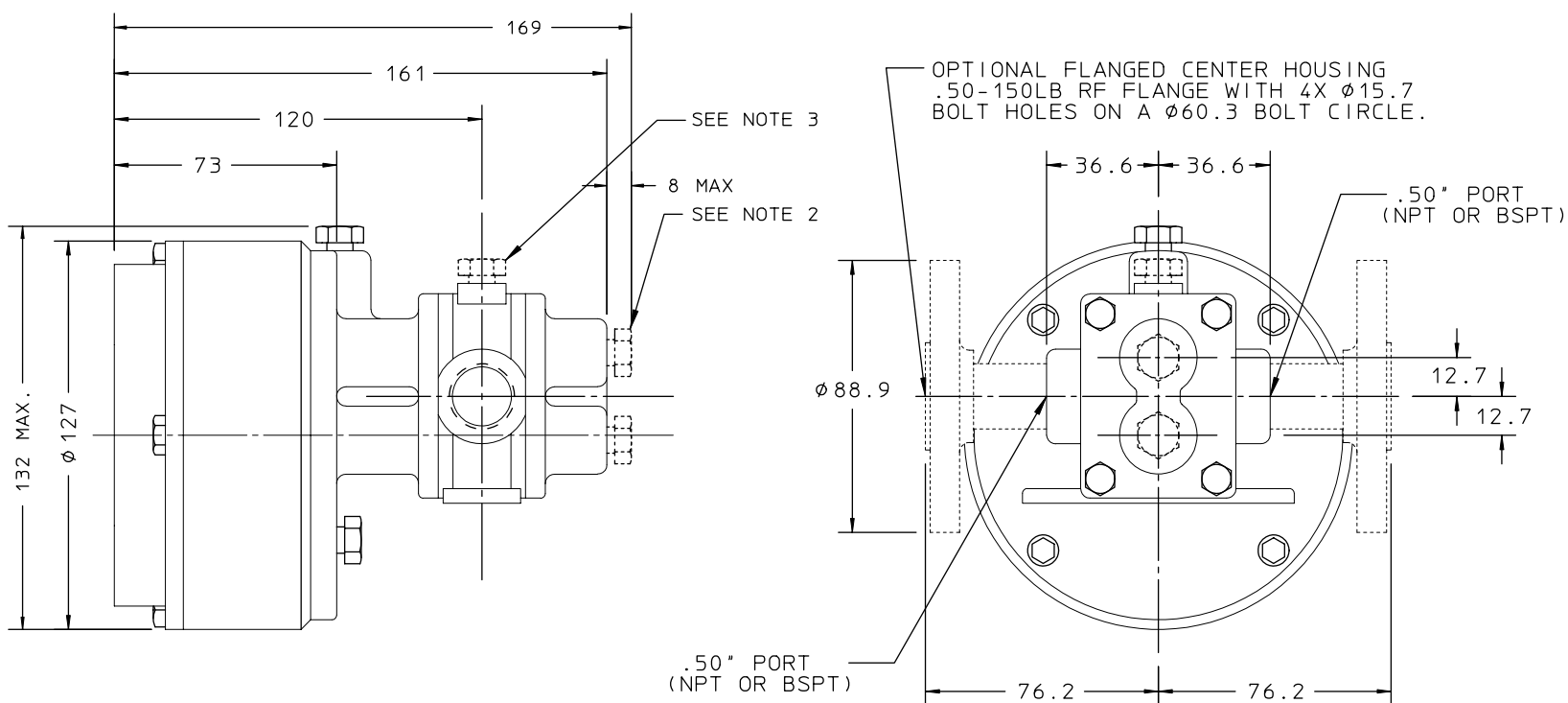
MODEL GMC4  
PUMP UNMTD FOR 56C,  
143TC - 184C FR MOTORS

DWN BY: PFM  
DATE: 07/26/90

**SD2567**

REF	REMOVED GM FROM DESCRIPTION	08/12/13
	REVISION UPDATE	DATE

SECTION/PAGE	MODEL GMC4 / 300
EFFECTIVE	08/12/13
SUPERSEDES	03/27/01



### MOTOR MOUNTING

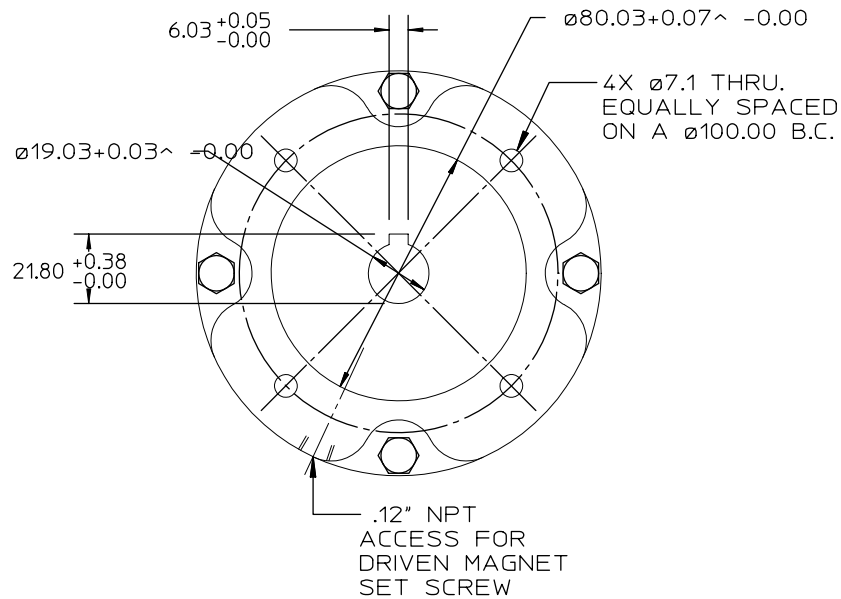
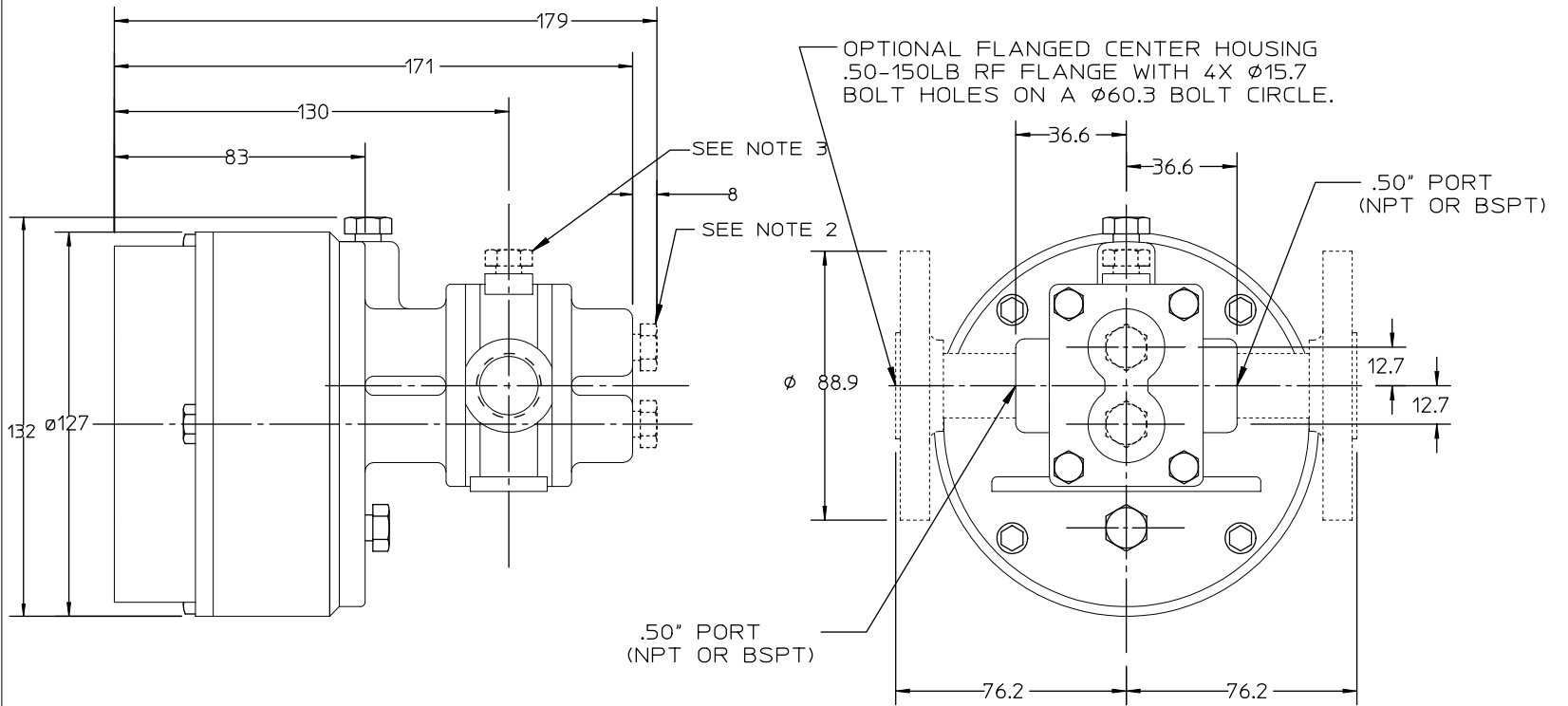
NOTES:

1. SUCTION AND DISCHARGE PORTS DEPENDENT UPON PUMP SHAFT ROTATION.
2. BEARING FLUSH AND DRAIN PLUGS (.12 NPT) ARE OPTIONAL.
3. VENT PLUG (.12 NPT) OPTIONAL.
4. MUST USE FOOT MOUNTED 71 FRAME C-FACE MOTOR.
5. FLANGE SIZE IS IN INCHES.

$\Delta$	ADDED OPTIONAL FLANGE	03/27/01
REF	REVISION UPDATE	DATE

SECTION/PAGE	MODEL GM4 / 301
EFFECTIVE	03/27/01
SUPERSEDES	04/01/98

ALL DIMENSIONS ARE IN MM	
<b>Isochem</b>	<b>PULSAFEEDER</b> A Unit of IDEX Corporation
MODEL GMC4 PUMP UNMTD FOR 71C FR MOTOR	
DWN BY: CLA	SD2887
DATE: 09/15/97	



**MOTOR MOUNTING**

NOTES:

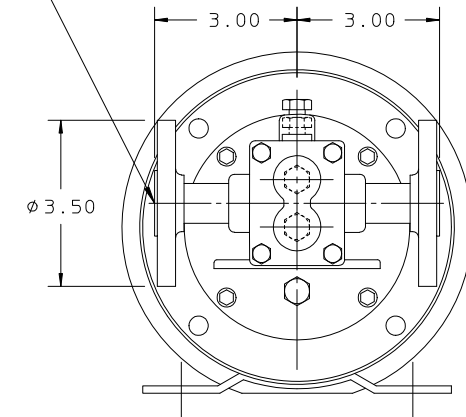
1. SUCTION AND DISCHARGE PORTS DEPENDENT UPON PUMP SHAFT ROTATION.
2. BEARING FLUSH AND DRAIN PLUGS (.12 NPT) ARE OPTIONAL.
3. VENT PLUG (.12 NPT) OPTIONAL.
4. MUST USE FOOT MOUNTED 80 FRAME C-FACE MOTOR.
5. FLANGE SIZE IS IN INCHES.

△	ADDED OPTIONAL FLANGE	03/27/01
REF	REVISION UPDATE	DATE

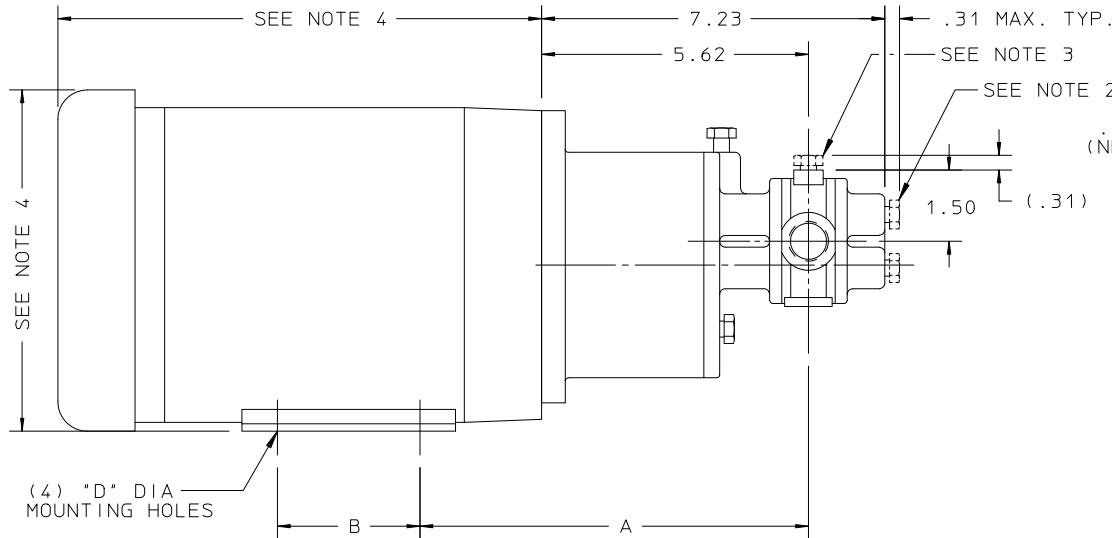
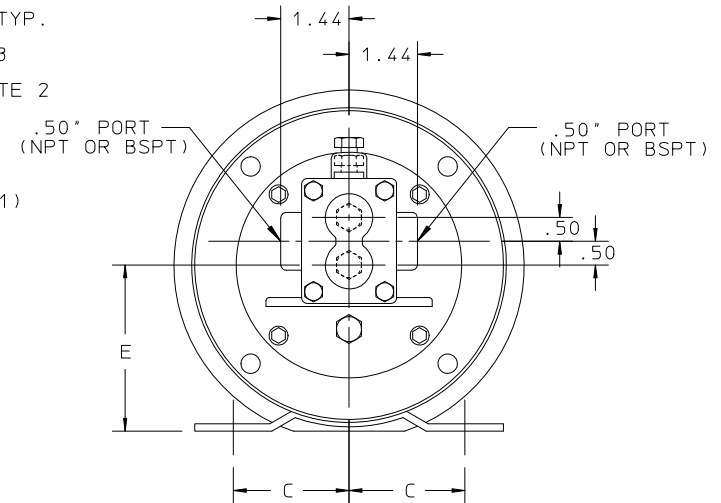
SECTION/PAGE	MODEL GM4 / 302
EFFECTIVE	03/27/01
SUPERSEDES	04/01/98

ALL DIMENSIONS ARE IN MM	
<b>Isochem</b>	<b>PULSAFEEDER</b> A Unit of IDEX Corporation
MODEL GMC4 PUMP UNMTD FOR 80C FR MOTOR	
DWN BY: CLA	SD2888
DATE: 09/15/97	

PORT CONNECTIONS  
 .50-150LB RF FLANGE WITH 4X  $\phi$ .62  
 BOLT HOLES ON A  $\phi$ 2.38 BOLT CIRCLE.



VIEW WITH FLANGED  
 CENTER HOUSING



NOTES:

1. SUCTION AND DISCHARGE PORTS DEPENDENT UPON PUMP SHAFT ROTATION.
2. BEARING FLUSH AND DRAIN PLUGS (.12 NPTF) ARE OPTIONAL.
3. VENT PLUG (.12 NPTF) OPTIONAL.
4. MOTOR DIMENSIONS VARY BY MANUFACTURER. CONSULT MANUFACTURERS DRAWING FOR SPECIFICS.

MOTOR FRAME	A	B	C	D	E
56C	8.25	3.00	2.44	.34	3.50
143TC	8.25	4.00	2.75	.34	3.50
145TC	8.25	5.00	2.75	.34	3.50
182C	8.25	4.50	3.75	.41	4.50
184C	8.25	5.50	3.75	.41	4.50

ALL DIMENSIONS ARE IN INCHES

**Ischem**  
 A Unit of IDEX Corporation  
**Pulsafeeder**

MODEL GMC4  
 PUMP MTD FOR 56C,  
 143TC - 184C FR MOTORS

DATE: 11/09/94  
 SD2570

SECTION/PAGE  
 EFFECTIVE  
 MODEL GMC4 / 303  
 08/12/13  
 03/27/01

DATE

REVISION UPDATE

REMOVED GM FROM DESCRIPTION

REF

REF  
REMOVED GM FROM DESCRIPTION  
REVISION UPDATE  
08/12/13  
DATE

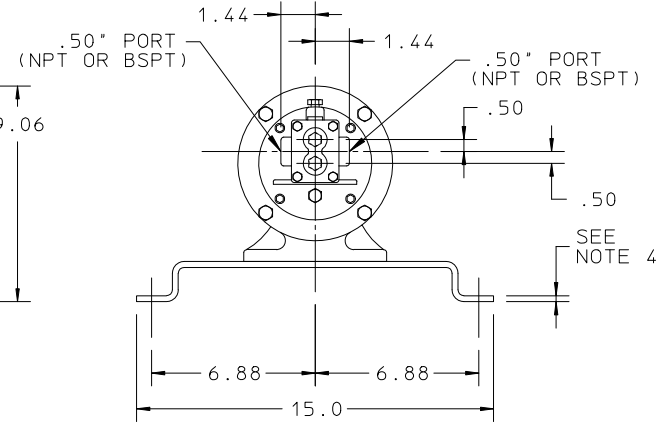
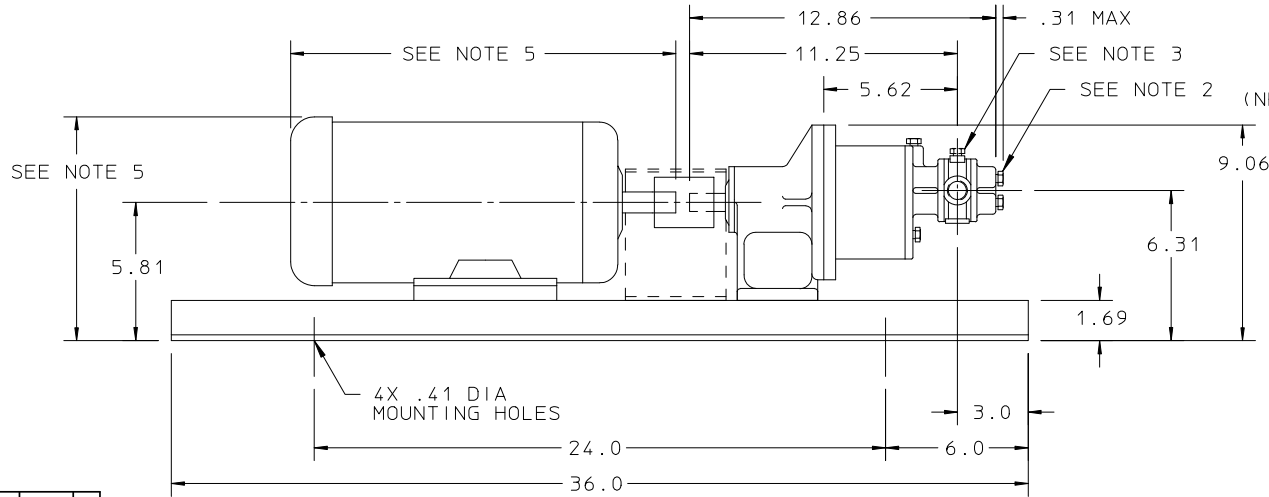
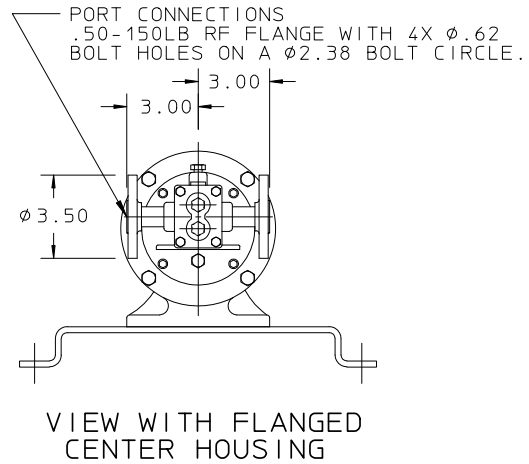
SECTION/PAGE  
EFFECTIVE  
SUPERSEDES  
MODEL GMC4 / 304  
08/12/13  
03/27/01

ALL DIMENSIONS ARE IN INCHES

**Isachem**  
A Unit of IDEX Corporation

**PULSAFEENE**

MODEL GMC4  
MTD BASE AND PEDESTAL  
56-145T FRAME MOTORS  
DWN BY: JEM JR  
DATE: 10/27/89  
SD2677



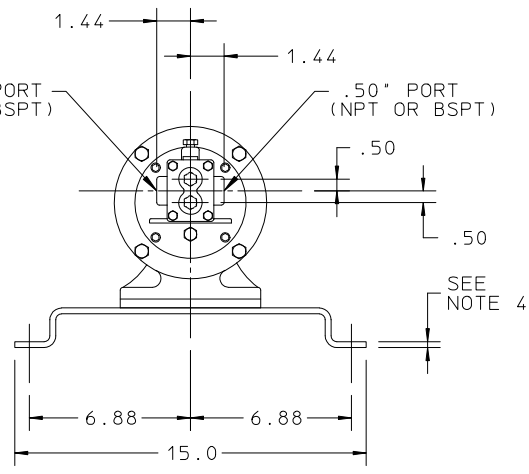
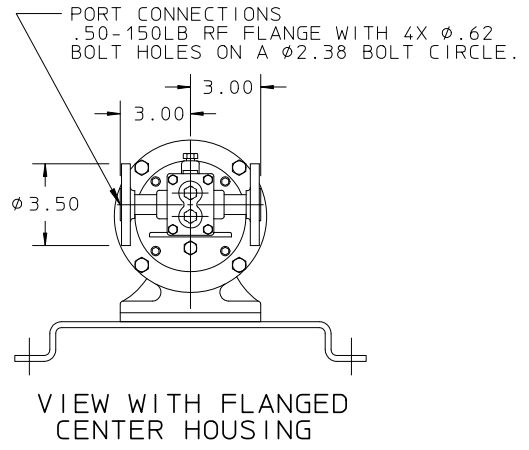
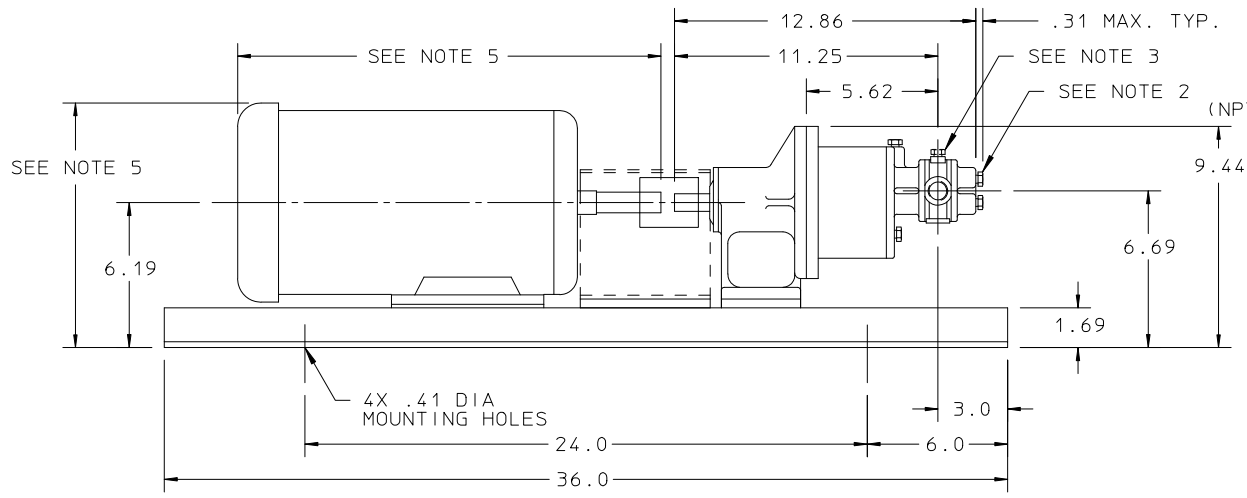
- NOTES:
- SUCTION AND DISCHARGE PORTS ARE DEPENDENT UPON PUMP SHAFT ROTATION.
  - BEARING FLUSH AND DRAIN PLUGS (.12 NPT) ARE OPTIONAL.
  - VENT PLUG (.12 NPT) OPTIONAL.
  - MATERIAL THICKNESS:  
STEEL .25 THK.  
STAINLESS STEEL .19 THK.
  - MOTOR DIMENSIONS VARY BY MANUFACTURER.  
CONSULT MANUFACTURER'S DRAWING FOR SPECIFICS.

REF	REMOVED GM FROM DESCRIPTION
	REVISION UPDATE

08/12/13  
DATE

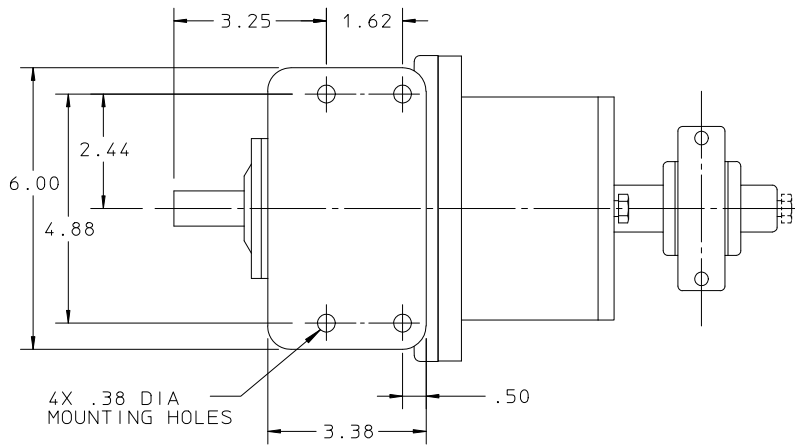
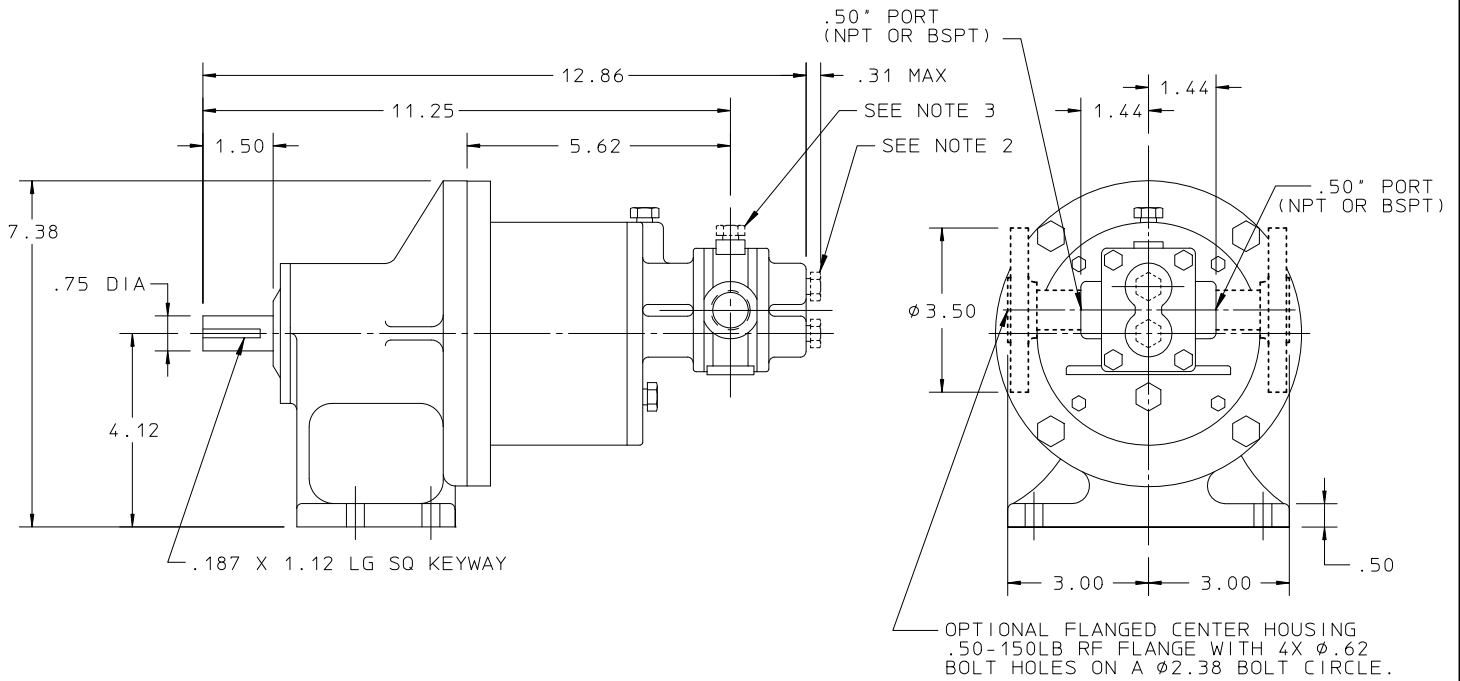
SECTION/PAGE	EFFECTIVE
MODEL GMC4 / 305	08/12/13
SUPERSEDES	03/27/01

ALL DIMENSIONS ARE IN INCHES
<b>Ischem</b>
<b>PULSAFEEDER</b>
A Unit of DEX Corporation
MODEL GMC4
MTD BASE AND PEDESTAL
182-184T
FRAME MOTORS
DWN BY: JEM JR
DATE: 10/27/89
SD2678



NOTES:

1. SUCTION AND DISCHARGE PORTS ARE DEPENDENT UPON PUMP SHAFT ROTATION.
2. BEARING FLUSH AND DRAIN PLUGS (.12 NPT) ARE OPTIONAL.
3. VENT PLUG (.12 NPT) OPTIONAL.
4. MATERIAL THICKNESS:  
STEEL .25 THK.  
STAINLESS STEEL .19 THK.
5. MOTOR DIMENSIONS VARY BY MANUFACTURER. CONSULT MANUFACTURER'S DRAWING FOR SPECIFICS.



NOTES:

1. SUCTION AND DISCHARGE PORTS ARE DEPENDENT UPON PUMP SHAFT ROTATION.
2. BEARING FLUSH AND DRAIN PLUGS (.12 NPT) ARE OPTIONAL.
3. VENT PLUG (.12 NPT) OPTIONAL.

ALL DIMENSIONS ARE IN INCHES	
<b>Isochem</b>	<b>PULSAFEEDER</b> A Unit of IDEX Corporation
MODEL GMC4 PEDESTAL MOUNTED	
DWN BY: PFM	SD2690
DATE: 05/11/90	

SECTION/PAGE	MODEL GMC4 / 306
EFFECTIVE	08/12/13
SUPERSEDES	03/27/01

REF	REMOVED GM FROM DESCRIPTION	08/12/13
	REVISION UPDATE	DATE