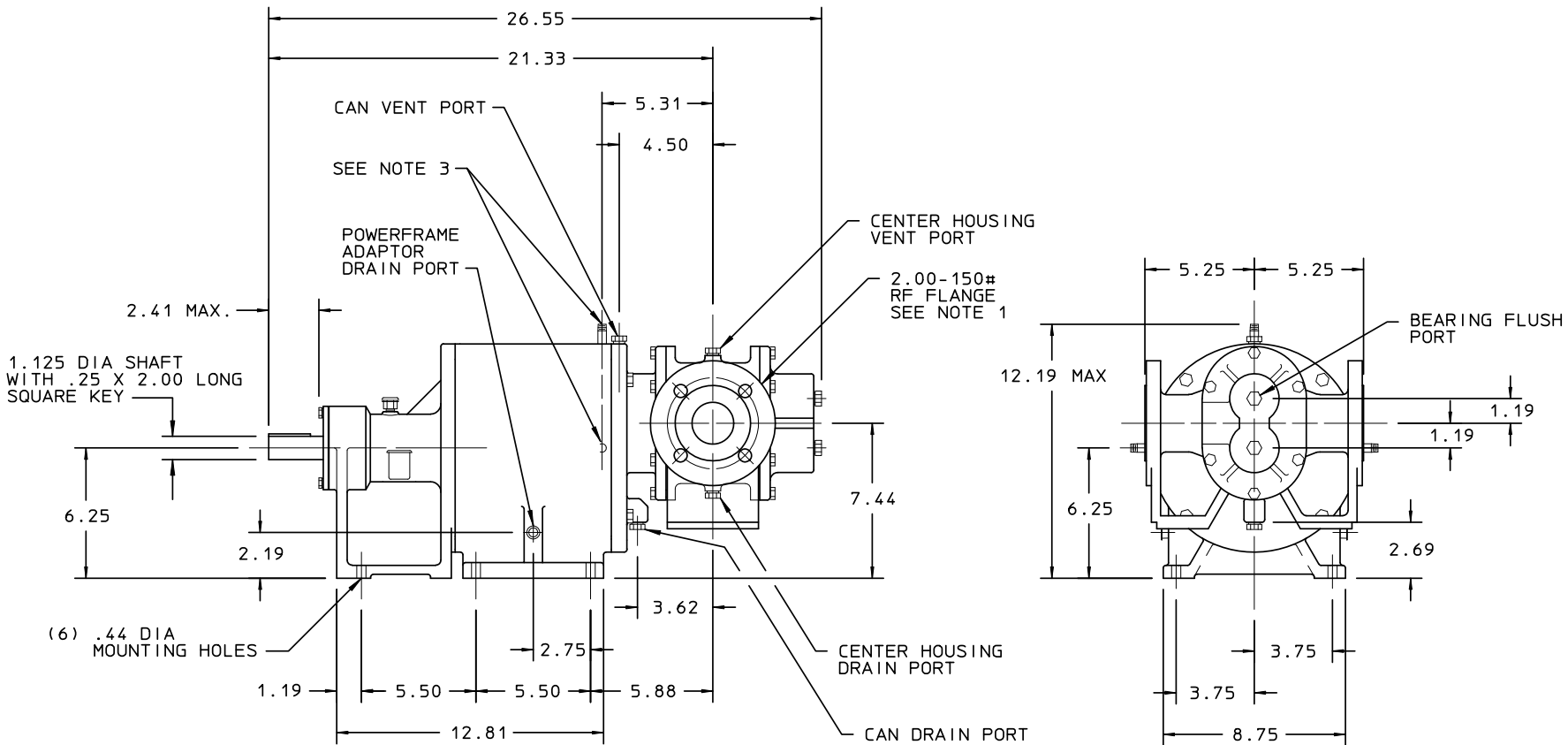


REF	UPDATE DRAWING
REVISION	UPDATE
DATE	08/14/13

EFFECTIVE	SECTION/PAGE
SUPERSEDES	MODEL GMC 16/300
DATE	08/14/13
	04/01/98

DWN BY: CLA	ALL DIMENSIONS ARE IN INCHES
DATE: 04/04/94	Ischem
SD-2779	PULSAFEEDER
	A Unit of IDEX Corporation



PUMP END VIEW

- NOTES:
1. SUCTION AND DISCHARGE PORTS DEPENDENT ON DIRECTION OF ROTATION.
 2. ALL STANDARD AND OPTIONAL PORT CONNECTION PIPE PLUGS ARE 1/4" NPT.
 3. (2) 1/8" NPT PIPE CONNECTION PORTS ARE STANDARD WITH DOUBLE CAN OPTION. STANDARD ASSEMBLY IS LEFT/TOP CONNECTION PORT ORIENTATION WHEN VIEWED FROM PUMP END. CUSTOMER TO SPECIFY WHEN RIGHT/TOP CONNECTION PORT ORIENTATION IS REQUIRED.

REF: DRAWING UPDATE
REVISION UPDATE

DATE: 08/14/13

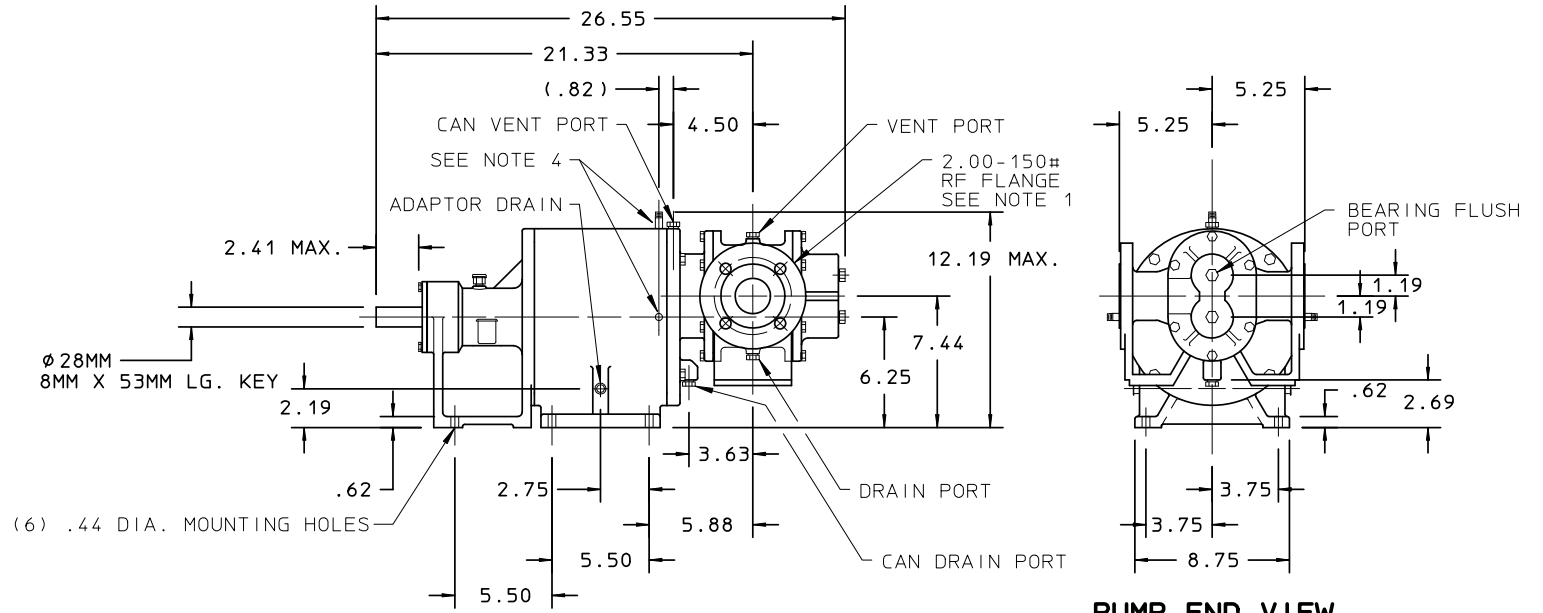
SUPERSEDES

EFFECTIVE DATE: 04/01/98

SECTION/PAGE: MODEL GMC16/302

DWN BY: CLA
DATE: 04/04/94

SD-2792



PUMP END VIEW

NOTE:

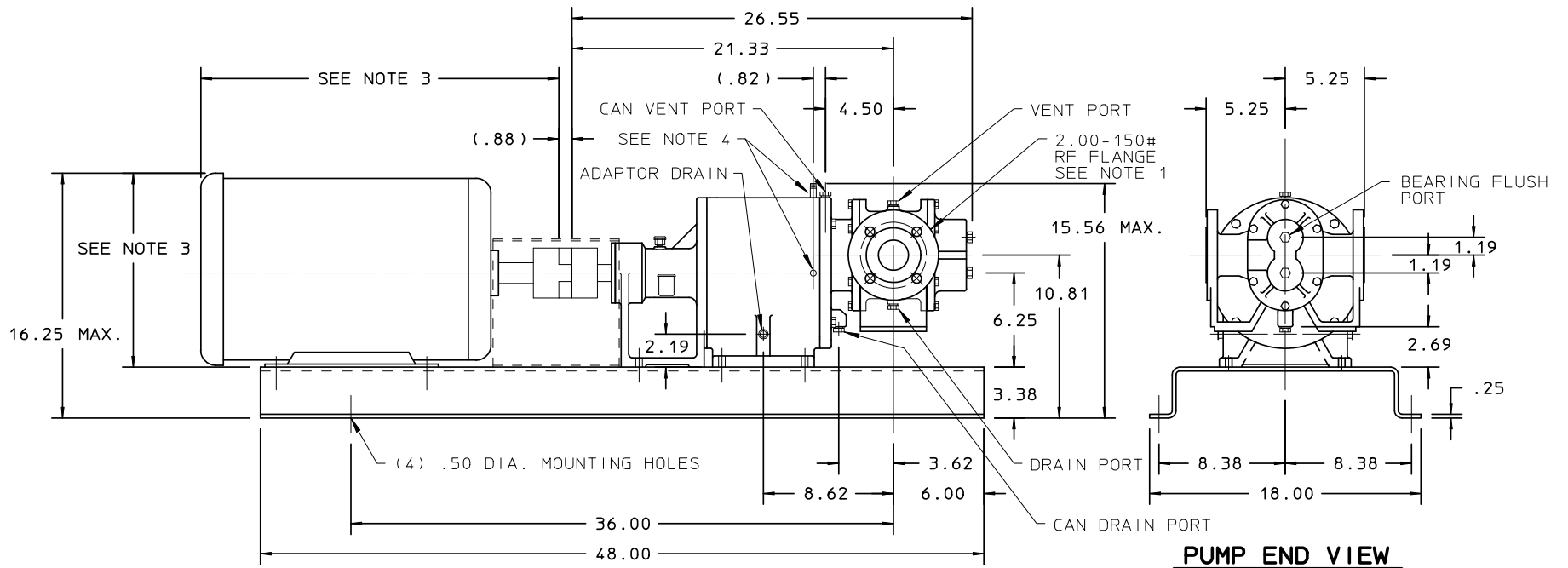
- 1.) SUCTION AND DISCHARGE PORTS DEPENDENT ON DIRECTION OF ROTATION.
- 2.) ALL STANDARD AND OPTIONAL PIPE PLUGS ARE (1/4" N.P.T.).
3. (2) 1/8" NPT PIPE CONNECTION PORTS ARE STANDARD WITH DOUBLE CAN OPTION. STANDARD ASSEMBLY IS LEFT/TOP CONNECTION PORT ORIENTATION WHEN VIEWED FROM PUMP END. CUSTOMER TO SPECIFY WHEN RIGHT/TOP CONNECTION PORT ORIENTATION IS REQUIRED.

ALL DIMENSIONS ARE IN INCHES



DIMENSIONAL DRAWING
GMC16 PUMP UNMOUNTED
METRIC INPUT SHAFT

REF	UPDATED DRAWING	SECTION/PAGE	MODEL	DWN BY:	SD-2783
	REVISION UPDATE	EFFECTIVE	GMC16/303	CLA	
		SUPERSEDES		DATE:	
				04/04/94	
				04/01/98	
				08/14/13	
				08/14/13	



NOTE:

- 1.) SUCTION AND DISCHARGE PORTS DEPENDENT ON DIRECTION OF ROTATION.
- 2.) ALL STANDARD AND OPTIONAL PIPE PLUGS ARE (1/4" N.P.T.).
- 3.) MOTOR DIMENSIONS VARY BY MANUFACTURER, CONSULT MANUFACTURERS DRAWING FOR SPECIFICS. BASE WILL ACCOMMODATE MOTOR FRAME SIZES; 182T, 184T, 213T, 215T, 254T AND 256T.
3. (2) 1/8" NPT PIPE CONNECTION PORTS ARE STANDARD WITH DOUBLE CAN OPTION. STANDARD ASSEMBLY IS LEFT/TOP CONNECTION PORT ORIENTATION WHEN VIEWED FROM PUMP END. CUSTOMER TO SPECIFY WHEN RIGHT/TOP CONNECTION PORT ORIENTATION IS REQUIRED.

ALL DIMENSIONS ARE IN INCHES

Ischem
A Unit of IDEX Corporation

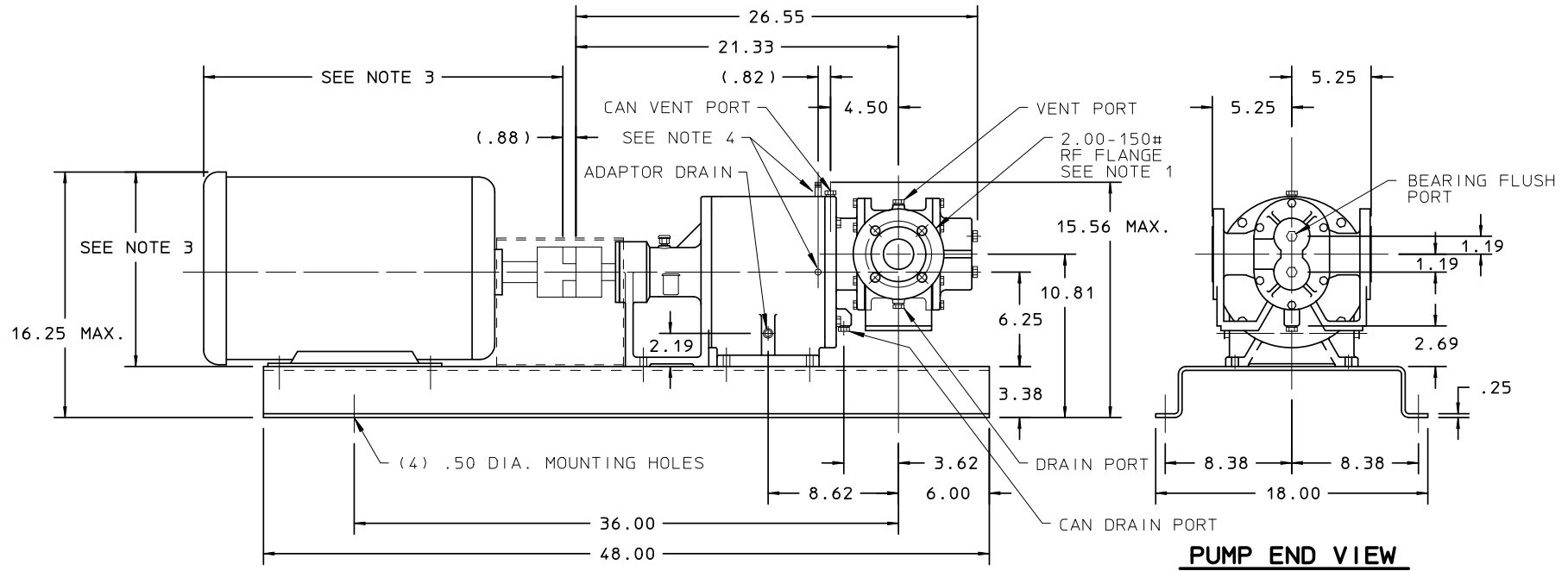
PULSAFEEDER

DIMENSIONAL DRAWING
GMC16 PUMP MOUNTED

REF	8
UPDATED DRAWING	08/14/13
REVISION UPDATE	DATE

SECTION/PAGE	EFFECTIVE
08/14/13	08/14/13
SUPERSEDES	04/01/98

MODEL	DATE
GMC16/305	04/01/98
DWN BY: CLA	DATE: 04/04/94



NOTE:

- 1.) SUCTION AND DISCHARGE PORTS DEPENDENT ON DIRECTION OF ROTATION.
- 2.) ALL STANDARD AND OPTIONAL PIPE PLUGS ARE (1/4" N.P.T.).
- 3.) MOTOR DIMENSIONS VARY BY MANUFACTURER, CONSULT MANUFACTURERS DRAWING FOR SPECIFICS, BASE WILL ACCOMMODATE MOTOR FRAME SIZES, 112M, 132S.
- 4.) (2) 1/8" NPT PIPE CONNECTION PORTS ARE STANDARD WITH DOUBLE CAN OPTION. STANDARD ASSEMBLY IS LEFT/TOP CONNECTION PORT ORIENTATION WHEN VIEWED FROM PUMP END. CUSTOMER TO SPECIFY WHEN RIGHT/TOP CONNECTION PORT ORIENTATION IS REQUIRED.

ALL DIMENSIONS ARE IN INCHES

Ischem
A Unit of DEK Corporation

PULSAFEENE

DIMENSIONAL DRAWING
GMC16 PUMP MOUNTED
METRIC INPUT SHAFT

SD-2793