

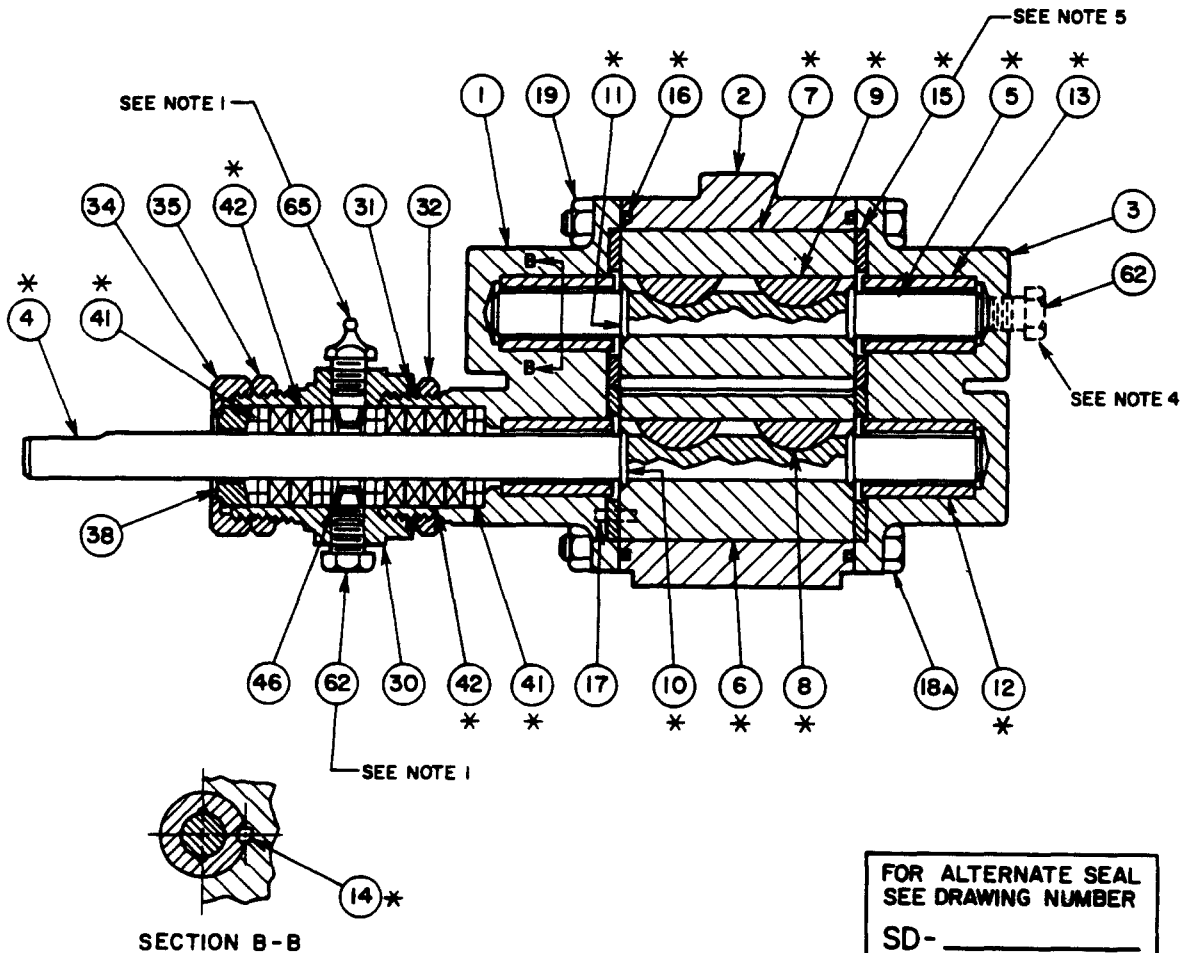
SECTION/PAGE	C/8200
EFFECTIVE	02/01/96
SUPERSEDES	I-93 REV D

NOTES  
 1 FOR LANTERN RING PACKED BOX CROSS SECTION  
 SEE SD-2653  
 2 FOR MECHANICAL SEAL CROSS SECTIONS  
 SEE SD-2652

ECO	<b>Pulsafeeder, Inc.</b> ROCHESTER, N.Y. U.S.A.
TYPICAL G6/G8 GEARCHEM® PUMP (RECESSED WEAR PLATE G6 SHOWN) EXPLODED VIEW	
8/98 E REM NIPPLE	DWN. BY. B R
7/91 D REVISED ITEM NUMBERS	DATE 3-1-78
6/87 C ADDED PACKING END RING	
6/85 B REV NOTES, LTRN R PKG BOX	
8/79 A CORRECTED NOMENCLATURE	
SD-2538 / REV E.	

ITEM	PART NAME	ITEM	PART NAME
1	FRONT HOUSING	17	HOUSING PIN
2	CENTER HOUSING	18A	HOUSING BOLT
3	REAR HOUSING	19	NUT, HOUSING BOLT
4	DRIVE SHAFT	30	PACKING BOX
5	IDLER SHAFT	31	GASKET
6	DRIVE GEAR	32	LOCK NUT, HOUSING
7	IDLER GEAR	34	GLAND NUT
8	DRIVE KEY	35	LOCK NUT
9	IDLER KEY	38	PACKING GLAND
10	DRIVE RETAINING RING	41	PACKING END RING
11	IDLER RETAINING RING	42	PACKING RING
12	DRIVE BEARING	46	LANTERN RING
13	IDLER BEARING	62	PLUG, 1/8" NPT
14	BEARING LOCK PIN	65	GREASE FITTING
15	WEAR PLATE		
16	HOUSING O-RING		

SECTION / PAGE	C / 8201
EFFECTIVE	01-01-93
SUPERSEDES	01-26-81



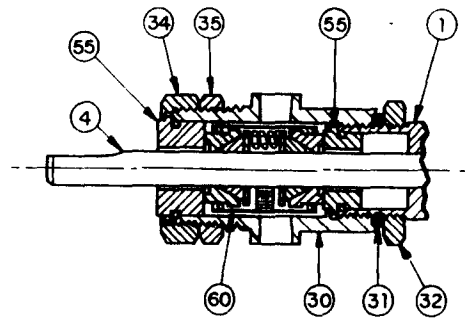
FOR ALTERNATE SEAL  
SEE DRAWING NUMBER  
SD- \_\_\_\_\_

- NOTES: 1 PACKING BOX SHOWN 90° OUT OF POSITION  
 2 \* RECOMMENDED SPARE PARTS, AVAILABLE AS OVERHAUL KIT.  
 3 MECHANICAL SEALS ARE AVAILABLE.  
 4 1/8" N PT FLUSH PORTS ARE AN AVAILABLE OPTION  
 5 RECESSED WEAR PLATES ARE STANDARD AS SHOWN.

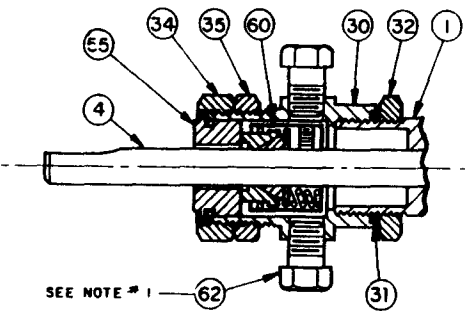
ECO PUMP CORPORATION SOUTH PLAINFIELD, N.J. U.S.A.	
G8 MODEL GEARCHEM® PUMP CROSS SECTION WITH LANTERN RING PACKING BOX	
DWN BY: B.R.	SD-2604
DATE: 10-1-79	

ITEM	PART NAME
1	FRONT HOUSING
4	DRIVE SHAFT
30	SEAL HOUSING
31	GASKET
32	LOCK NUT, HOUSING
34	GLAND NUT
35	LOCK NUT
36	SEAT RETAINER W/PIN
37	O-RING, SEAT RETAINER
39A	BOLT, SEAT RETAINER
55	SEAL SEAT W/SEAL RING GA12, 16
55	SEAL SEAT W/O-RING G2.4, 6, 8
59	PIN, PUMP END SEAT
60	SEAL HEAD ASSEMBLY
62	PLUG, 1/8" NPT
63	PLUG, 1/4" NPT

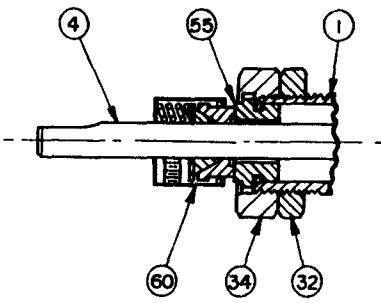
SECTION / PAGE	C / 16203
EFFECTIVE	02-01-96
SUPERSEDES	01-01-95



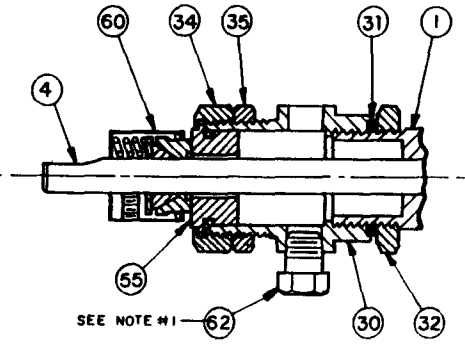
DOUBLE INTERNAL SEAL  
A6, G2, G4, G6, G8



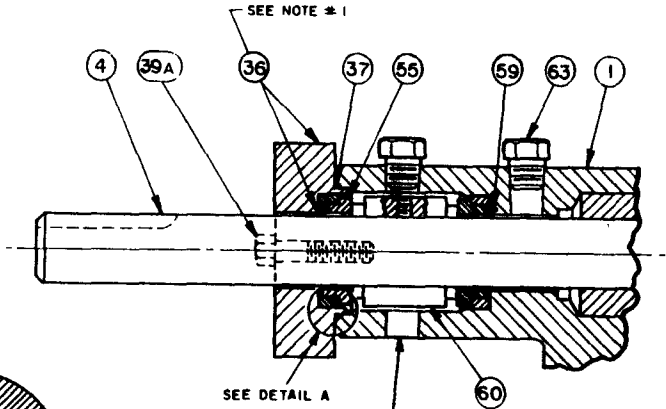
SINGLE INTERNAL SEAL  
A6, G2, G4, G6, G8



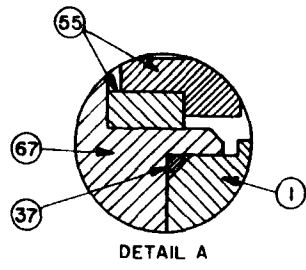
SINGLE EXTERNAL SEAL  
A6, G2, G4, G6, G8



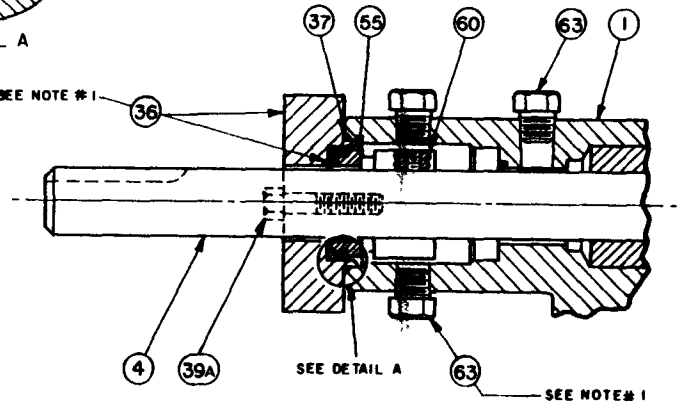
EXTERNAL SEAL FOR VACUUM SERVICE  
G2, G4, G6, G8



DOUBLE MECHANICAL SEAL  
GA12, GA16



DETAIL A



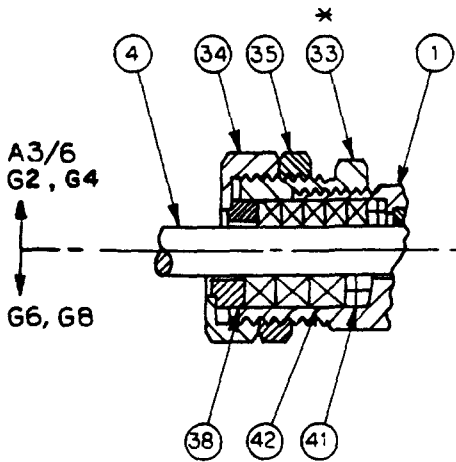
SINGLE MECHANICAL SEAL  
GA12, GA16

- NOTES: 1. PARTS SHOWN 90° OUT OF POSITION.  
2. REFER TO STANDARD SALES BILL OF MATERIAL FOR PART NUMBERS AND QUANTITY.  
3. FOR ALL DOUBLE MECHANICAL SEALS, CIRCULATE SUITABLE FLUID AT 25-30 PSI ABOVE PUMP DISCHARGE PRESSURE. FLUID TEMPERATURE & FLOW MUST BE ADEQUATE TO MAINTAIN A MAXIMUM TEMPERATURE OF 160°F IN SEAL HOUSING

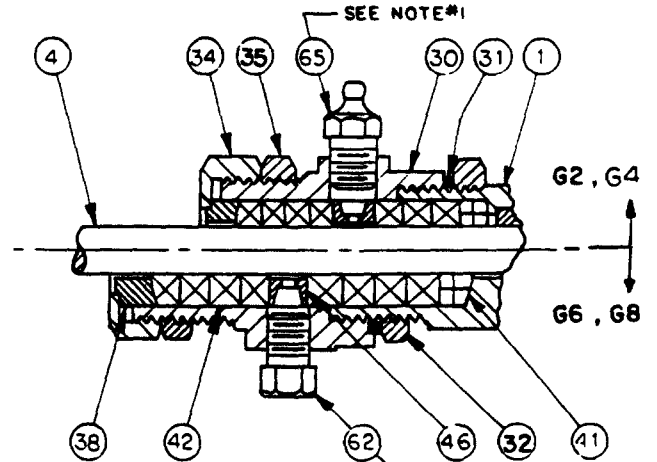
ECO	<b>Pulsafeeder, Inc.</b> ROCHESTER, NY USA
MECHANICAL SEAL ARRANGEMENTS FOR GEARCHEM/ROTARY PUMPS	
DWN BY: KRY	DATE: 6-19-85
SD-2652	

8/95	B	REM NIPPLE
7/91	A	UPDATED ITEM NUMBERS

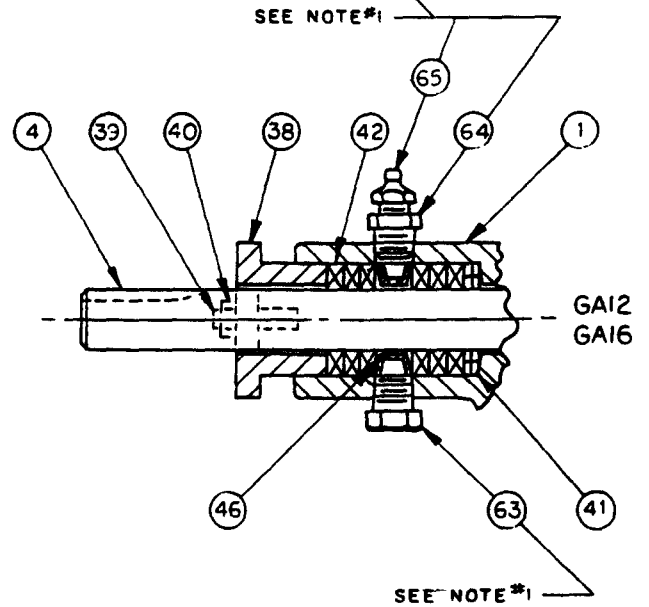
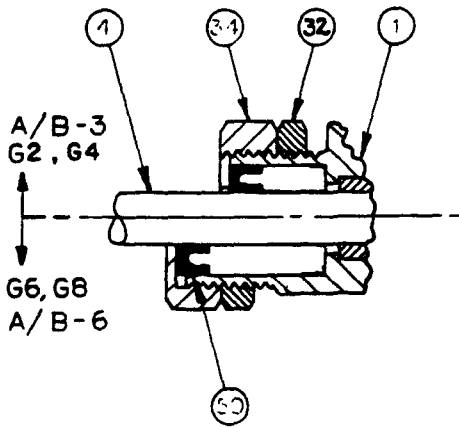
### STANDARD STUFFING BOX



### LANTERN RING STUFFING BOX



### U-CUP LIP SEAL

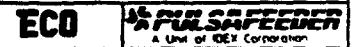


**NOTES**

- 1 | PARTS SHOWN 90° OUT OF POSITION
- 2 | \* ITEM 33 COMPONENT ONLY A3/6, G2/4
- 3 | REFER TO STANDARD SALES BILL OF MATERIAL FOR PART NUMBERS & QUANTITY

65	GREASE FITTING
64	ADAPTOR, 1/4" TO 1/8" NPT
63	PLUG, 1/4" NPT
62	PLUG, 1/8" NPT
50	LIP SEAL, U-CUP
46	LANTERN RING
42	PACKING RING
41	PACKING END RING
40	NUT, STUD
39	STUD, PACKING GLAND
38	PACKING GLAND
35	LOCK NUT
34	GLAND NUT
33	HOUSING EXTENSION
32	LOCK NUT, HOUSING
31	GASKET
30	PACKING BOX
4	DRIVE SHAFT
1	FRONT HOUSING
ITEM	PART NAME

ALL DIMENSIONS ARE IN INCHES



PACKING ARRANGEMENTS FOR GEARCHEM/ROTARY PUMPS

REF	REMOVED ITEM NUMBER E3	04/03/01
	REVISION UPDATE	DATE

SECTION/REV	C/GB/A203
EFFECTIVE	04/03/01
SUPERSEDES	12/10/97

OWN BY	KRY	SD-2653
DATE	6/19/85	

PARTS ARE ON MANUAL DRAWING

NOTES:

- 1.) PARTS SHOWN 90° OUT OF POSITION.
- 2.) \* ITEM 33 COMPONENT ONLY A3/6, G2/4.
- 3.) REFER TO STANDARD SALES BILL OF MATERIAL FOR PART NUMBERS & QUANTITY.

65	GREASE FITTING
64	ADAPTOR, 1/4" TO 1/8"
63	PLUG, 1/4" NPT
62	PLUG, 1/8" NPT
50	LIP SEAL, U-CUP
46	LANTERN RING
42	PACKING RING
41	PACKING END RING
40	NUT, STUD
39	STUD, PACKING GLAND
38	PACKING GLAND
35	LOCK NUT
34	GLAND NUT
33	HOUSING EXTENSION
32	LOCK NUT, HOUSING
31	GASKET
30	PACKING BOX
4	DRIVE SHAFT
1	FRONT HOUSING
ITEM	PART NAME

ALL DIMENSIONS ARE IN INCHES

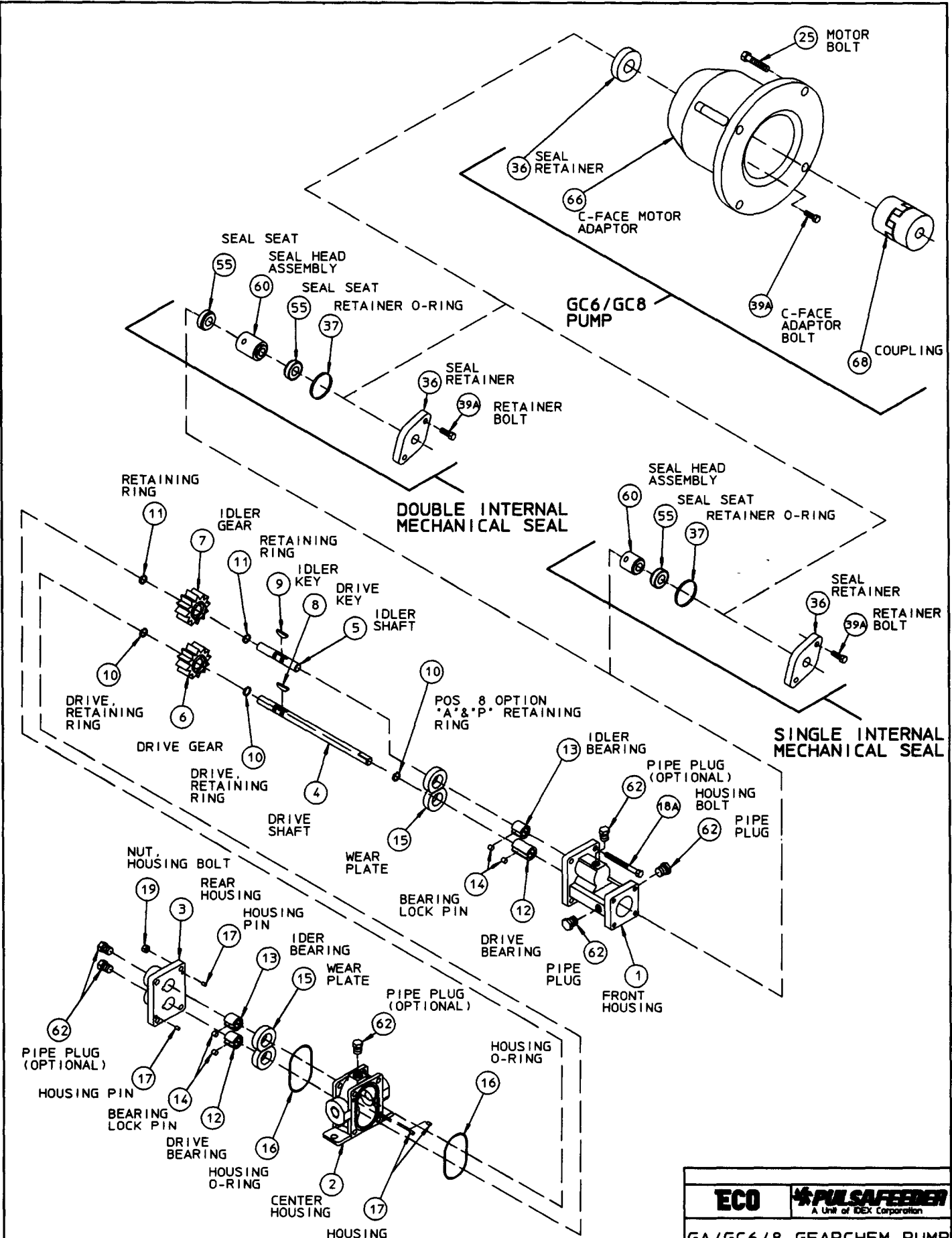


PACKING ARRANGEMENTS FOR  
GEARCHEM/ROTARY PUMPS

△	REMOVED ITEM NUMBER 53	/ /
REF	REVISION UPDATE	DATE

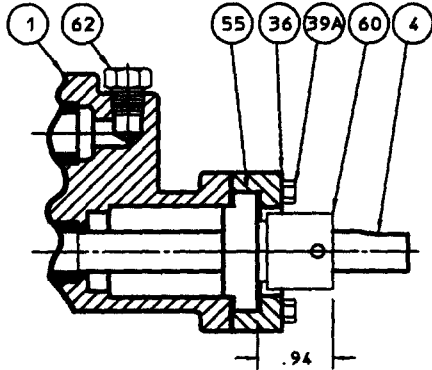
SECTION/PAGE	
EFFECTIVE	04/03/01
SUPERSEDES	12/10/97

DWN BY: KRY	SD-2653
DATE: 6/19/85	

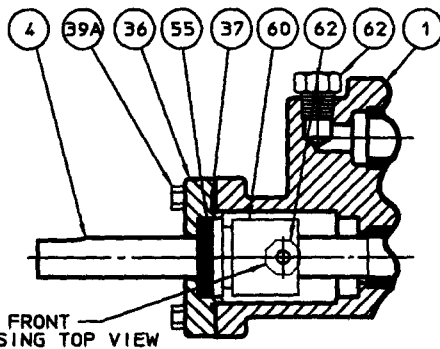
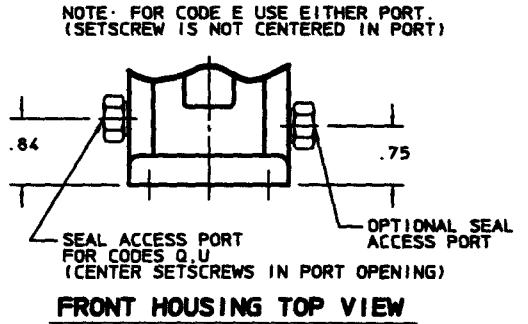


REF	REVISION UPDATE	DATE	SECTION/PAGE	C/GA8/GC8/8220	<b>ECO</b> <b>PULSAFEEDER</b> A Unit of IDEX Corporation <b>GA/GC6/8 GEARCHEM PUMP</b> <b>EXPLODED VIEW</b> DWN BY PFM DATE 04/23/97 <b>SD-2848</b>
			EFFECTIVE	12/01/97	
			SUPERSEDES	NEW	

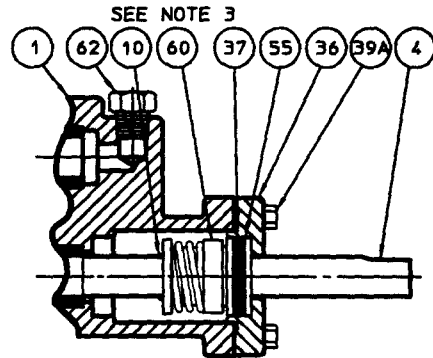
ITEM	PART NAME
1	FRONT HOUSING
4	DRIVE SHAFT
10	RETAINING RING
36	SEAL RETAINER
37	O-RING
39A	BOLT, RETAINER
55	SEAL SEAT
60	SEAL HEAD ASSEMBLY
62	PLUG, 1/8" NPT



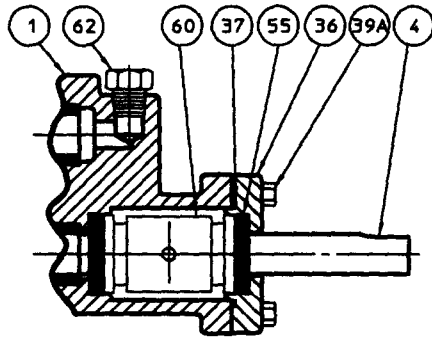
**EXTERNAL MECH. SEAL CODE V,W**



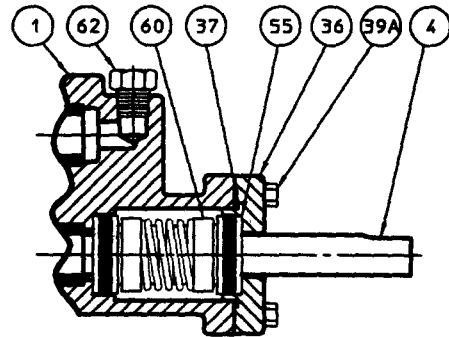
**SINGLE MECH. SEAL CODE Q,U**



**SINGLE MECH. SEAL CODE A,P**



**DOUBLE MECH. SEAL CODE E**



**DOUBLE MECH. SEAL CODE C**

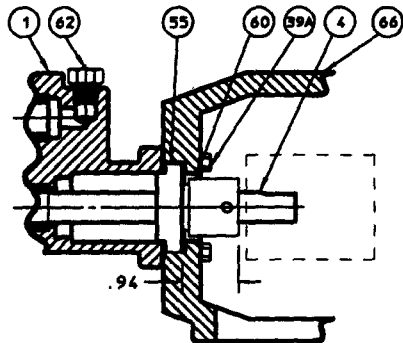
- NOTES
- REFER TO STANDARD SALES BILL OF MATERIALS
  - FOR ALL DOUBLE MECHANICAL SEALS CIRCULATE SUITABLE FLUID AT 25-30 PSI ABOVE PUMP DISCHARGE PRESSURE. FLUID TEMPERATURE AND FLOW MUST BE ADEQUATE TO MAINTAIN A MAXIMUM TEMPERATURE OF 450° F IN SEAL HOUSING
  - ITEM 10 IS ONLY USED WITH POSITION B SEAL OPTION 'A' & 'P'

▲	UPDATED PICTORIALLY	10/14/98
REF	REVISION UPDATE	DATE

SECTION/PAGE	C/GA8/0221
EFFECTIVE	10/14/98
SUPERSEDES	12/01/97

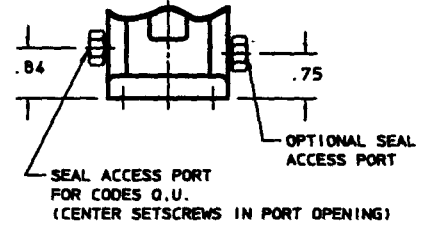
ALL DIMENSIONS ARE IN INCHES	
<b>ECO</b>	<b>PULSAFEEDER</b> A Unit of ERIK Corporation
GA6/GA8 GEARCHEM PUMP SEAL ARRANGEMENTS CROSS SECTIONAL VIEWS	
DWN BY: PFM	SD-2855
DATE: 05/01/97	

ITEM	PART NAME
1	FRONT HOUSING
4	DRIVE SHAFT
10	RETAINING RING
36	SEAL RETAINER
37	O-RING
39A	BOLT, RETAINER
55	SEAL SEAT
60	SEAL HEAD ASSEMBLY
62	PLUG, 1/8" NPT
66	C-FACE MOTOR ADAPTOR

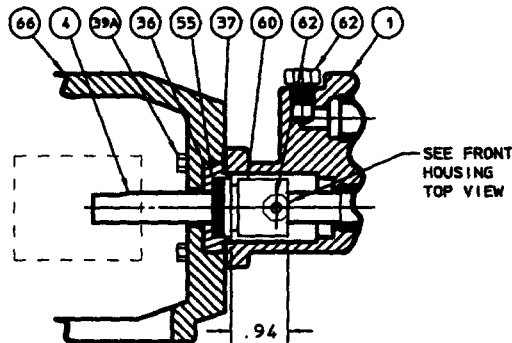


**EXTERNAL MECH. SEAL CODE V.W**

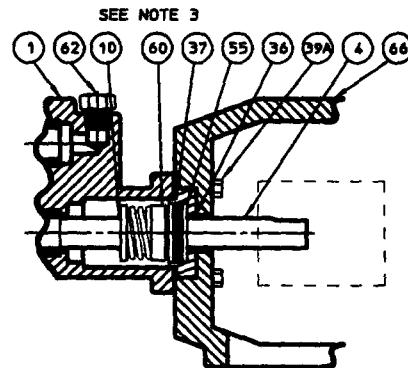
NOTE: FOR CODE E USE EITHER PORT.  
(SETScrew IS NOT CENTERED IN PORT)



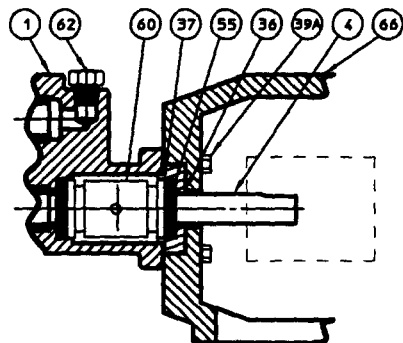
**FRONT HOUSING TOP VIEW**



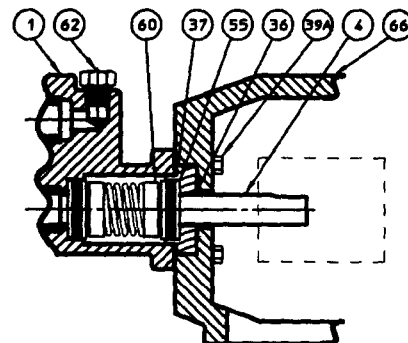
**SINGLE MECH. SEAL CODE Q,U**



**SINGLE MECH. SEAL CODE A,P**



**DOUBLE MECH. SEAL CODE E**



**DOUBLE MECH. SEAL CODE C**

**NOTES**

- REFER TO STANDARD SALES BILL OF MATERIALS
- FOR ALL DOUBLE MECHANICAL SEALS CIRCULATE SUITABLE FLUID AT 25-30 PSI ABOVE PUMP DISCHARGE PRESSURE. FLUID TEMPERATURE AND FLOW MUST BE ADEQUATE TO MAINTAIN A MAXIMUM TEMPERATURE OF 450° IN SEAL HOUSING
- ITEM 10 IS ONLY USED WITH POSITION 8 SEAL OPTION "A"&"P"

ALL DIMENSIONS ARE IN INCHES

**ECO**

**PULSAFEEDER**  
A Unit of ECK Corporation

GC6/GC8 GEARCHEM PUMP  
SEAL ARRANGEMENTS  
CROSS SECTIONAL VIEWS

DWN BY PFM

DATE: 05/01/97

SD-2856

SECTION/PAGE	C/GC8/8222
EFFECTIVE	10/14/98
SUPERSEDES	12/01/97

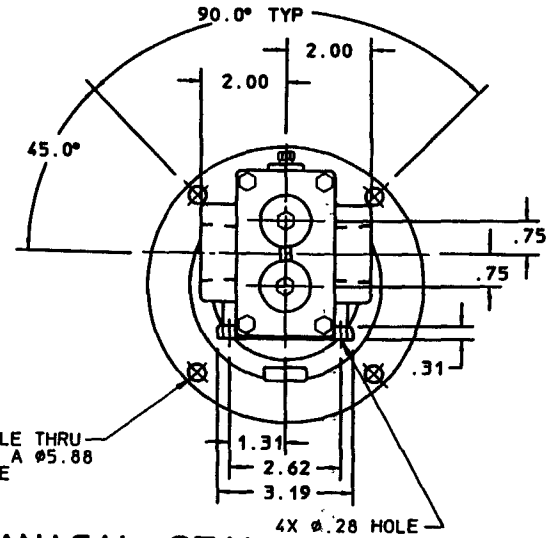
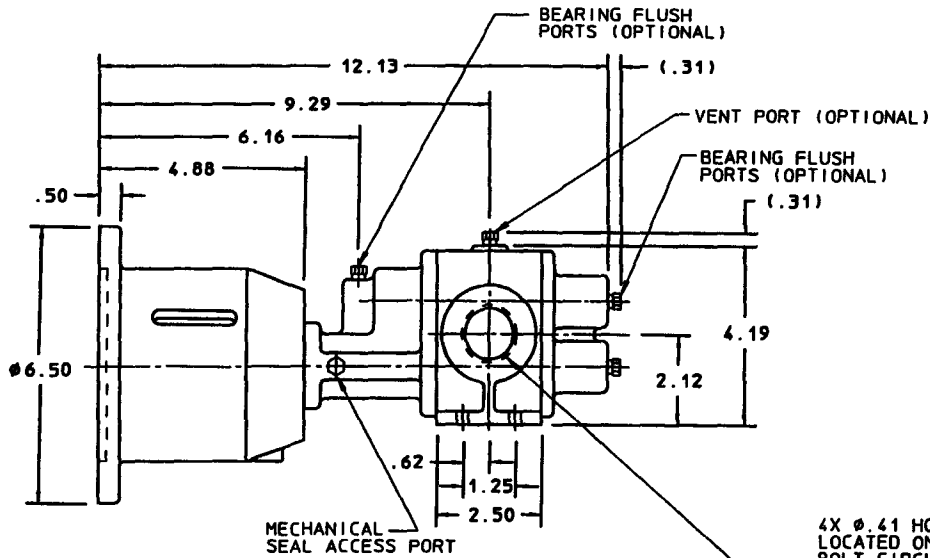
REF	REVISION UPDATE	DATE



REF A ADD OPTIONAL FLANGE  
 REVISION UPDATE  
 DATE 03/27/01

SECTION/PAGE C/GA8/GC8/8224  
 EFFECTIVE 03/27/01  
 SUPERSEDES 12/01/97

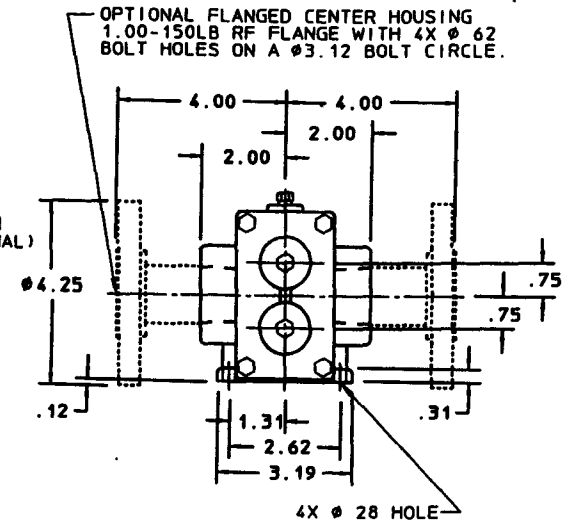
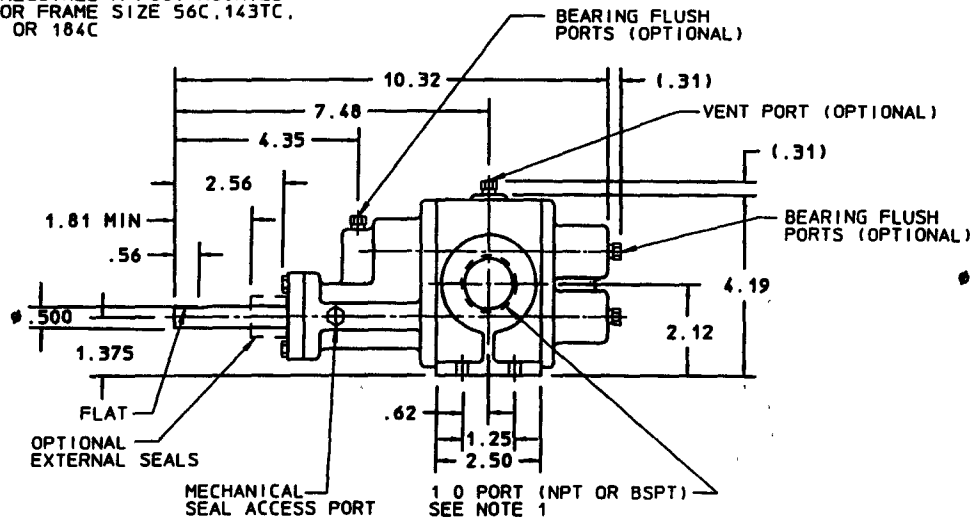
ALL DIMENSIONS ARE IN INCHES  
**ECO**  
**PER SAFETY**  
 A LINE OF BEST PERFORMANCE  
 DIMENSIONAL DRAWING  
 GA8/GC8 PUMP UNMOUNTED  
 DWN BY: PFH  
 DATE: 07/28/97  
 SD-2853



### GC8 SINGLE / DOUBLE MECHANICAL SEAL

**NOTES**

- 1) SUCTION AND DISCHARGE PORTS ARE DEPENDENT UPON ROTATION.
- 2) ALL STANDARD AND OPTIONAL PIPE PLUGS ARE .125 NPT.
- 3) MODEL GC8 REQUIRES A FOOT MOUNTED C-FACE MOTOR FRAME SIZE 56C, 143TC, 145TC, 182C OR 184C



### GA8 SINGLE / DOUBLE MECHANICAL SEAL

REF  
 ADD FLANGE VIEW  
 REVISION UPDATE

03/27/01  
 DATE

SECTION/PAGE  
 EFFECTIVE  
 SUPERSEDES

03/27/01  
 12/01/97

OWN BY: PFH  
 DATE: 11/13/97

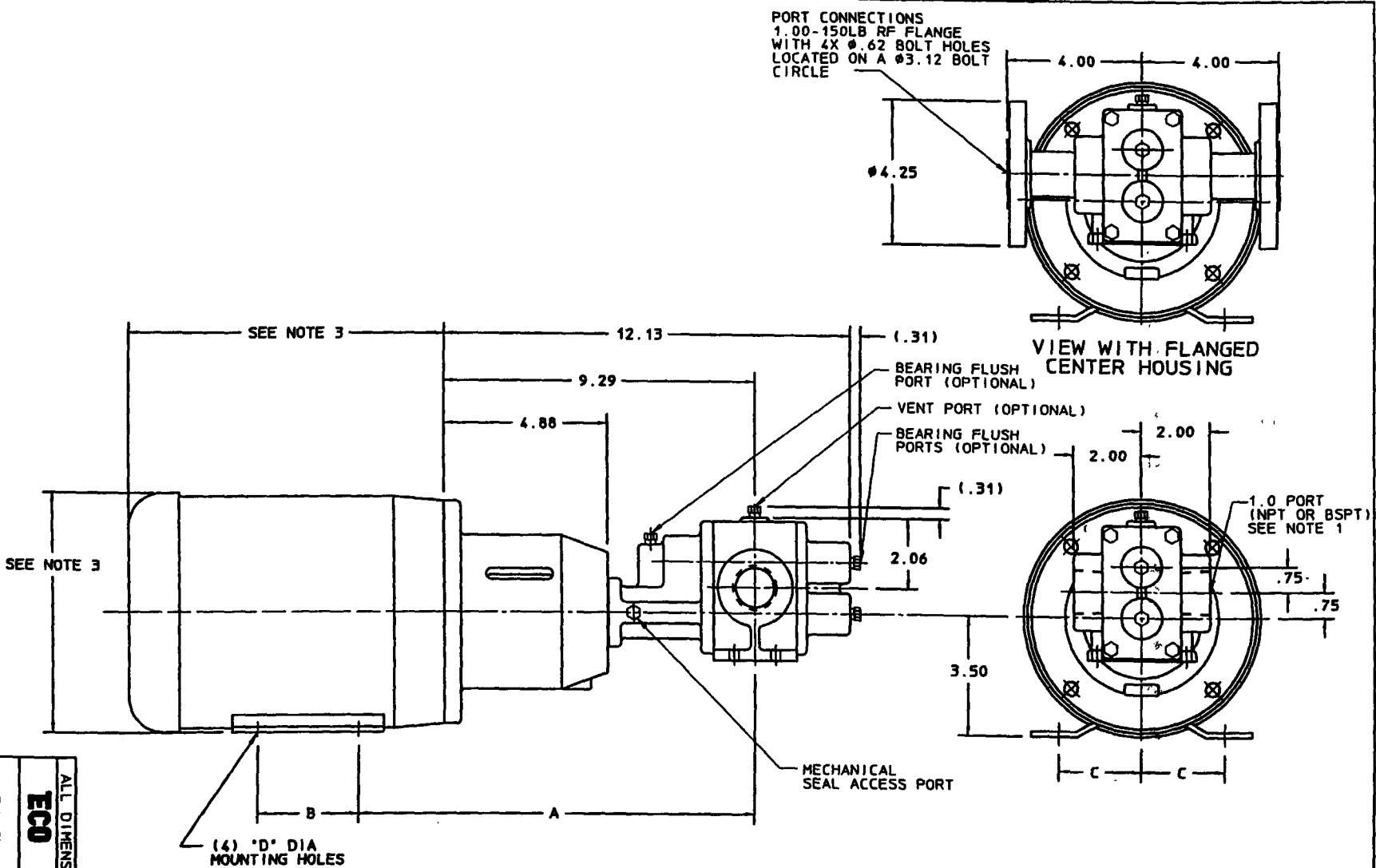
SD-2883

C/GC8/8225

DIMENSIONAL DRAWING  
 GC8 MOTOR MOUNTED

**ECO**  
**PFH SUPERSEED**  
 A Unit of DEK Corporation

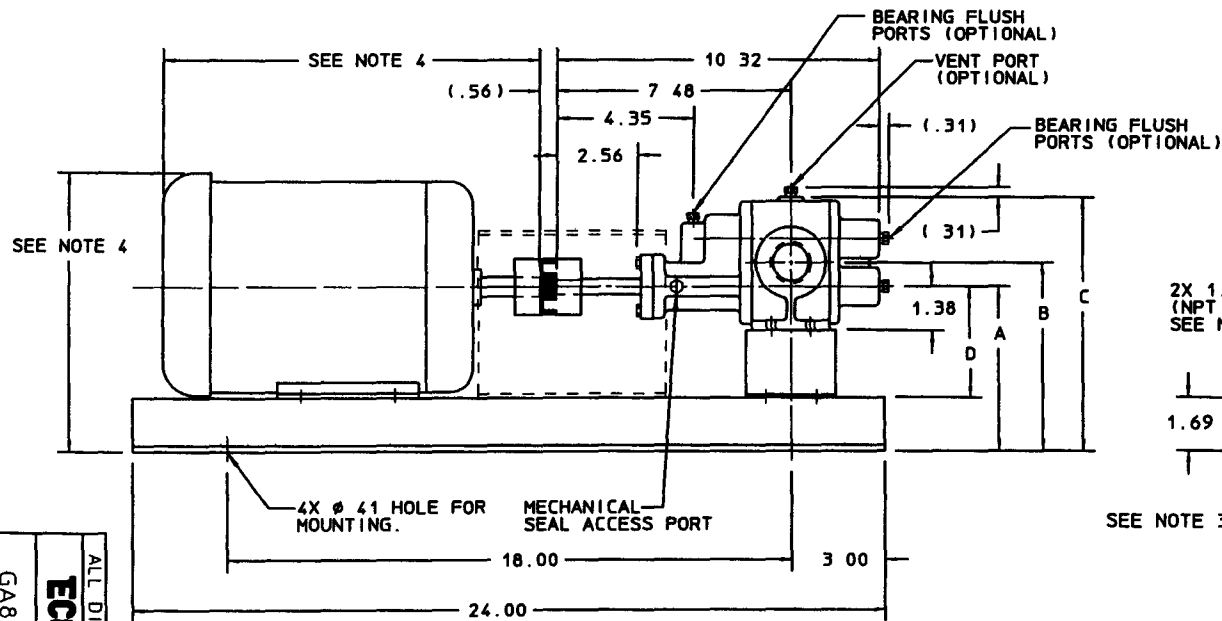
ALL DIMENSIONS ARE IN INCHES



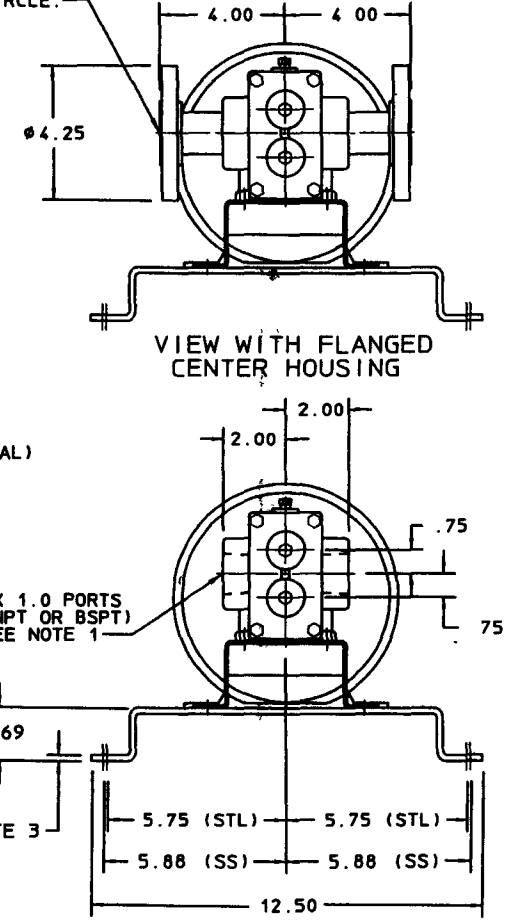
- NOTES:  
 1) SUCTION AND DISCHARGE PORTS ARE DEPENDENT UPON ROTATION.  
 2) ALL STANDARD AND OPTIONAL PIPE PLUGS ARE .125 NPT.  
 3) MOTOR DIMENSIONS VARY BY MANUFACTURER. CONSULT MANUFACTURER'S DRAWING FOR SPECIFICS.

MOTOR FRAME	A	B	C	D	E
56C	11.85	3.00	2.44	.34	3.50
143TC	12.17	4.00	2.75	.34	3.50
145TC	12.17	5.00	2.75	.34	3.50
182C	12.17	4.50	3.75	.41	4.50
184C	12.17	5.50	3.75	.41	4.50

REF A ADD FLANGE VIEW  
 REVISION UPDATE  
 DATE 03/22/01  
 EFFECTIVE 03/22/01  
 SUPERSEDES 12/01/97  
 SECTION/PAGE C/GA8/8226  
 DWN BY PHM  
 DATE 11/03/97  
 SD-2879



PORT CONNECTIONS  
 2X 1.00-150LB RF FLANGE  
 WITH 4X Ø.62 BOLT HOLES  
 LOCATED ON A Ø3.12 BOLT  
 CIRCLE.



- NOTES:
- SUCTION AND DISCHARGE PORTS DEPENDENT ON DIRECTION OF PUMP DRIVE SHAFT ROTATION.
  - ALL STANDARD AND OPTIONAL PIPE PLUGS ARE (1/8" N.P.T.).
  - MATERIAL THICKNESS:  
 STAINLESS STEEL .19 THICK  
 STEEL .14 THICK
  - MOTOR DIMENSIONS VARY BY MANUFACTURER, CONSULT MANUFACTURERS DRAWING FOR SPECIFICS. BASE WILL ACCOMMODATE MOTOR FRAME SIZES, 56, 143/5T, AND 182/4T.

PUMP SERIES	DIMENSIONS			MOTOR INFO. FRAME	
	A	B	C		D
GA8	5.19	5.94	8.00	56	3.50
	5.19	5.94	8.00	143/5T	3.50
	6.19	6.94	9.00	182/4T	4.50

ALL DIMENSIONS ARE IN INCHES  
**ECD**  
**PU-SAFER**  
 A Unit of DEK Corporation

GA8 SERIES MOUNTED ON BASE PLATE

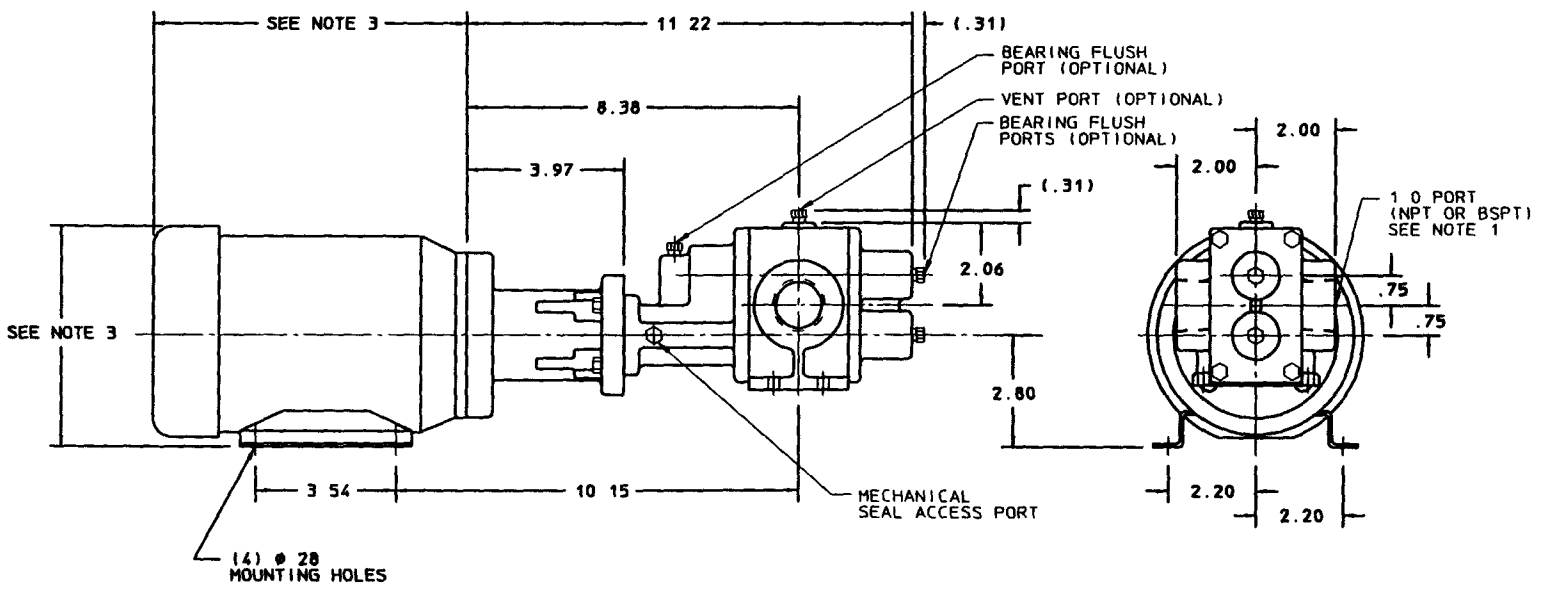
REF	REVISION UPDATE	DATE	SUPPENSES	NEW	DWN BY: PEN	SD-2903
			EFFECTIVE		DATE: 10/22/98	

SECTION/PAGE C/GC8/B227

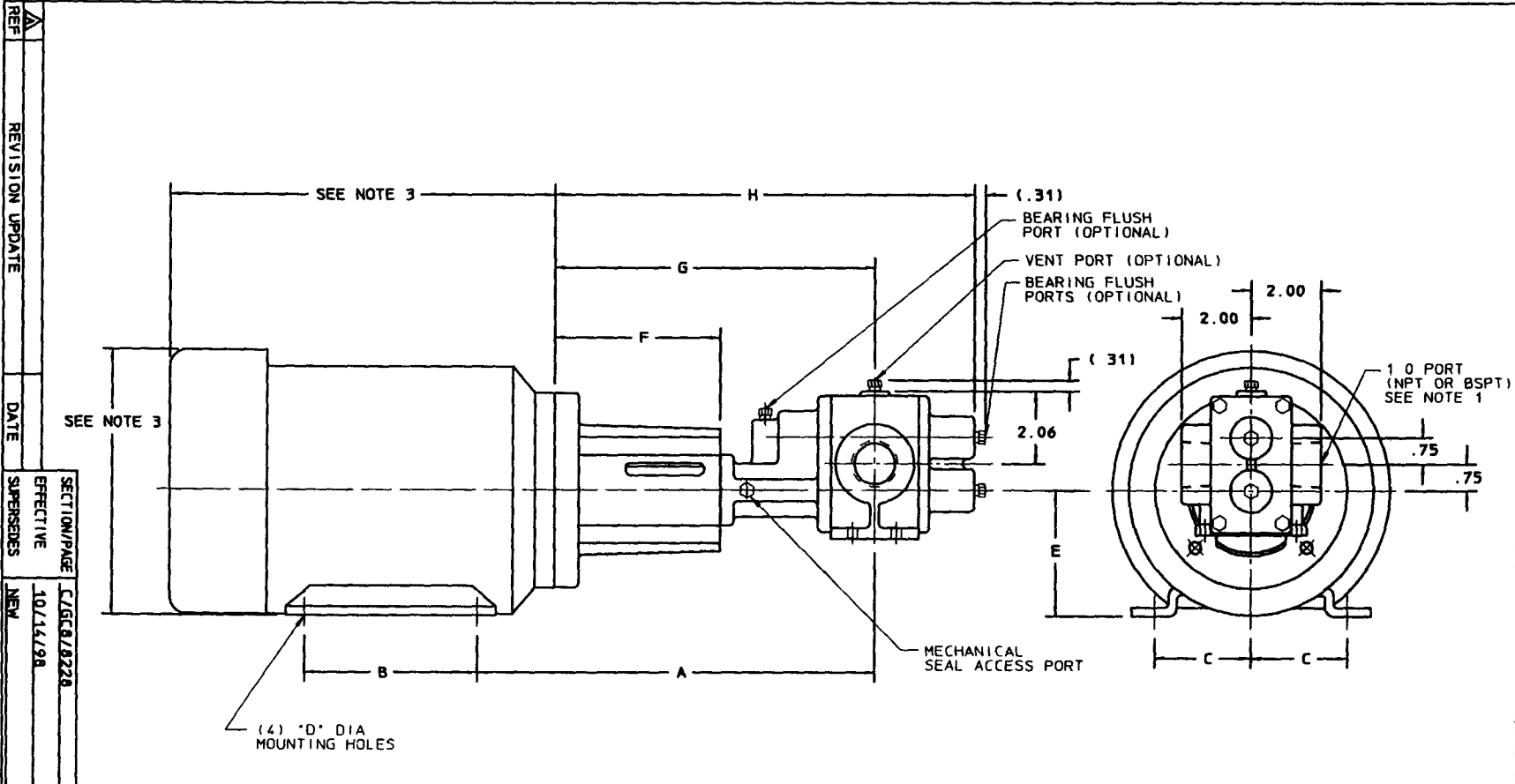
DIMENSIONAL DRAWING  
GC8 MOTOR MOUNTED  
71 METRIC FRAME

**ECO**  
A Unit of **ECO Corporation**

ALL DIMENSIONS ARE IN INCHES



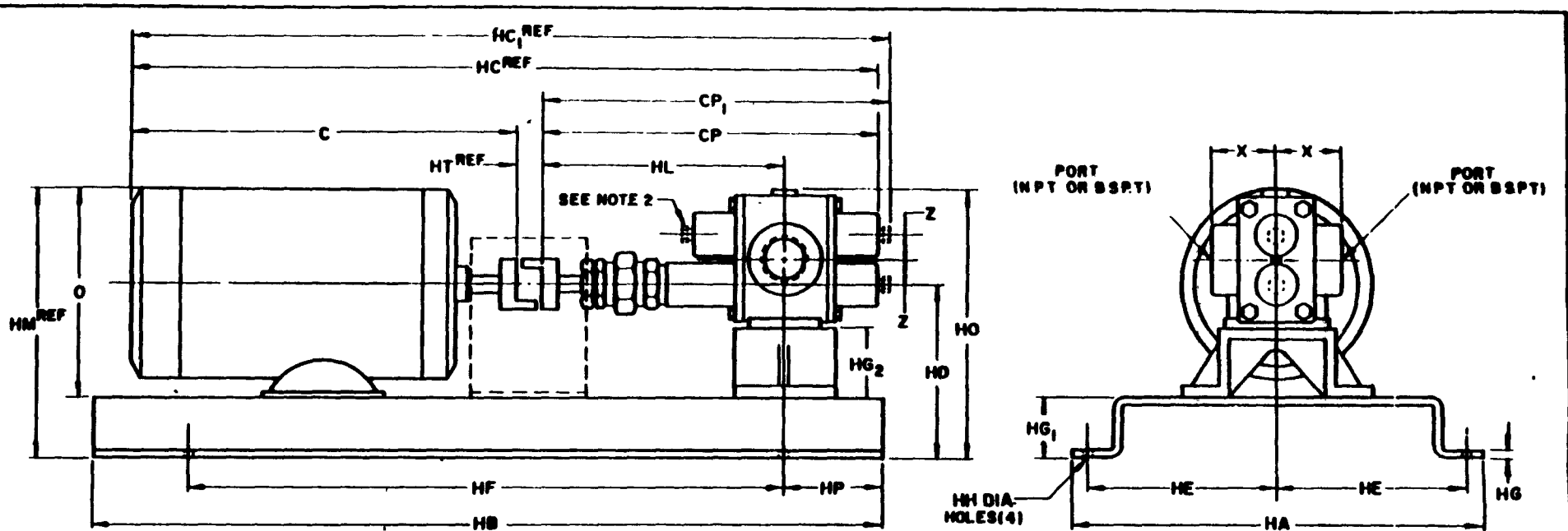
- NOTES
- 1) SUCTION AND DISCHARGE PORTS ARE DEPENDENT UPON ROTATION
  - 2) ALL STANDARD AND OPTIONAL PIPE PLUGS ARE 125 NPT
  - 3) MOTOR DIMENSIONS VARY BY MANUFACTURER CONSULT MANUFACTURER'S DRAWING FOR SPECIFICS



MOTOR FRAME	A	B	C	D	E	F	G	H
80C	10 72	3 94	2 46	39	3 15	4 34	8 76	11 60
90SC	11 35	3 94	2 76	39	3 54	4 73	9 15	11 99
90LC	11 35	4 92	2 76	39	3 54	4 73	9 15	11 99

- NOTES
- 1) SUCTION AND DISCHARGE PORTS ARE DEPENDENT UPON ROTATION
  - 2) ALL STANDARD AND OPTIONAL PIPE PLUGS ARE 125 NPT
  - 3) MOTOR DIMENSIONS VARY BY MANUFACTURER CONSULT MANUFACTURER'S DRAWING FOR SPECIFICS

REF	REVISION UPDATE	DATE	SECTION/PAGE	EFFECTIVE	SUPERSEDES
			C/GC8/8228	10/14/98	NEW
<p>ALL DIMENSIONS ARE IN INCHES</p> <p><b>ECO</b> <b>WALSH</b></p> <p><small>A LINE OF BEST CONNECTION</small></p> <p>DIMENSIONAL DRAWING</p> <p>GCB MOTOR MOUNTED</p> <p>80, 90 METRIC FRAME</p> <p>DWN BY: PFH</p> <p>DATE: 10/22/98</p> <p>SD-2904</p>					



NOTES: 1. SUCTION AND DISCHARGE PORTS DEPENDENT ON DIRECTION OF ROTATION  
 2. BEARINGS FLUSH FLUOS (1/8 N.P.T.) OPTIONAL.

DIMENSIONS INCHES																						
PORTS	C	CP	CP <sub>1</sub>	HA	HB	HC	HC <sub>1</sub>	HD	HE	HF	HG	HG <sub>1</sub>	HG <sub>2</sub>	HH	HL	HM	HO	HP	HT	O	X	Z
1		10 $\frac{3}{8}$	10 $\frac{3}{8}$	12 $\frac{1}{2}$	24			5 $\frac{3}{8}$	5 $\frac{3}{8}$	18	3 $\frac{1}{8}$	1 $\frac{1}{8}$	2 $\frac{1}{8}$	13 $\frac{13}{32}$	7 $\frac{1}{2}$		8 $\frac{1}{16}$	3	3 $\frac{1}{4}$		2	3 $\frac{1}{4}$
		261.9	276.2	317.5	609.6			131.7	146.0	457.2	4.7	42.8	54.0	10.3	190.5		204.7	76.2	19.0		50.8	19.0
MOTOR DATA	FRAME	HP	RPM	PHASE / HZ / VOLTS																		
ENCLOSURE	MFR																					

NOTE: PRINTED DIMENSIONS SHOWN FOR MOTOR FRAME SIZES 36, 143T & 145T

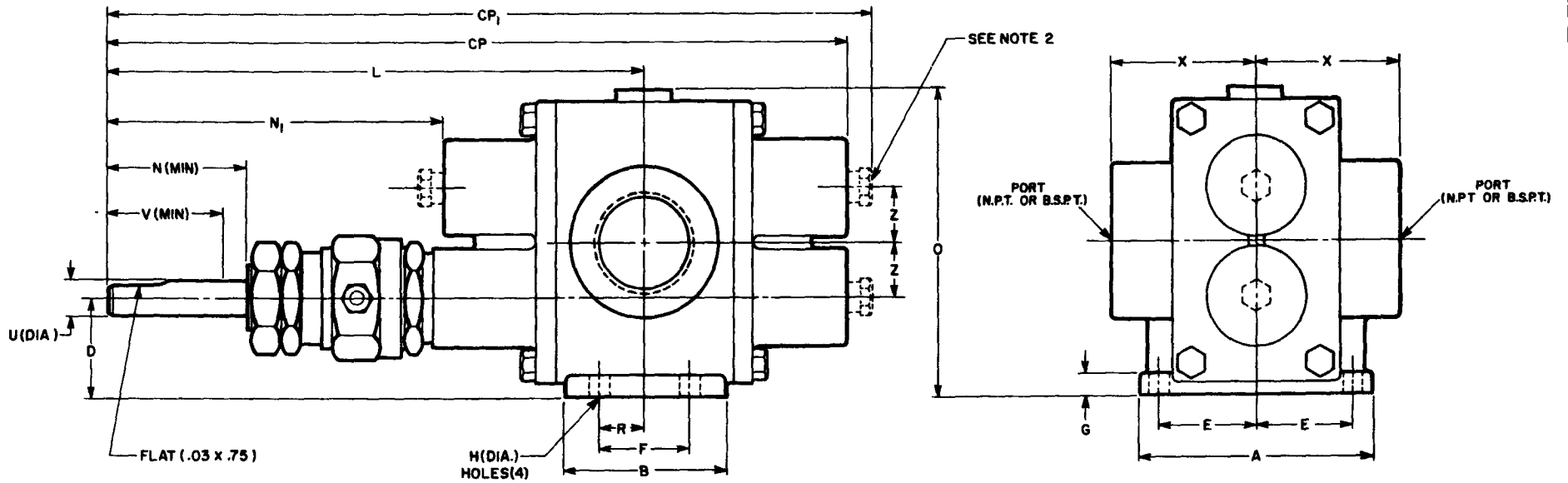
**ECO PUMP CORPORATION**  
 SOUTH PLANFIELD, N J USA

**G8 SERIES**  
 MOUNTED ON BASE PLATE

DWN BY \_\_\_\_\_  
 DATE \_\_\_\_\_

**SD - 2529**

CUSTOMER \_\_\_\_\_ P.O. NO. \_\_\_\_\_  
 ECO ORDER NO \_\_\_\_\_ PUMP MODEL NO \_\_\_\_\_ ITEM NO \_\_\_\_\_  
 CERTIFIED BY \_\_\_\_\_ DATE \_\_\_\_\_



NOTES: 1. SUCTION AND DISCHARGE PORTS DEPENDENT UPON DIRECTION OF ROTATION.  
 2. BEARING FLUSH PLUGS (1/8 N.P.T.) OPTIONAL.

PORTS	DIMENSIONS																	
	INCHES MM																	
	A	B	CP	CP <sub>1</sub>	D	E	F	G	H	L	N	N <sub>1</sub>	O	R	U	V	X	Z
1	3 <sup>3</sup> / <sub>16</sub>	2 <sup>1</sup> / <sub>8</sub>	10 <sup>5</sup> / <sub>16</sub>	10 <sup>7</sup> / <sub>16</sub>	1 <sup>3</sup> / <sub>8</sub>	1 <sup>5</sup> / <sub>16</sub>	1 <sup>1</sup> / <sub>4</sub>	1 <sup>1</sup> / <sub>32</sub>	7 <sup>9</sup> / <sub>32</sub>	7 <sup>15</sup> / <sub>32</sub>	2	4 <sup>1</sup> / <sub>2</sub>	4 <sup>1</sup> / <sub>4</sub>	5 <sup>5</sup> / <sub>16</sub>	1 <sup>1</sup> / <sub>2</sub>	1	2	3 <sup>1</sup> / <sub>4</sub>
	80.9	53.9	261.9	276.2	24.9	33.3	31.7	8.7	7.1	169.7	50.8	114.2	107.9	15.8	12.7	25.4	50.8	19.0

ECO PUMP CORPORATION  
 SOUTH PLAINFIELD, N.J. U.S.A.

G8 SERIES  
 UNMOUNTED PUMP

CUSTOMER \_\_\_\_\_

PO NO \_\_\_\_\_

ECO ORDER NO \_\_\_\_\_ PUMP MODEL \_\_\_\_\_

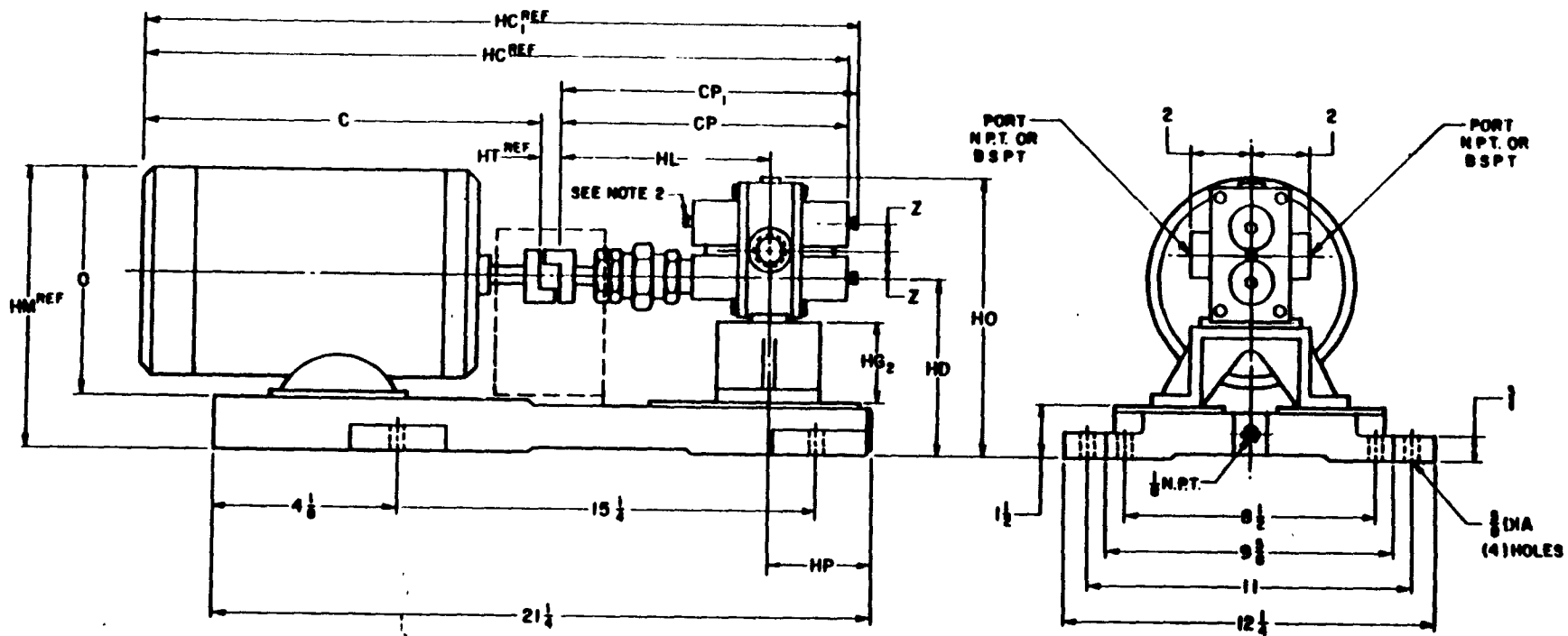
ITEM NO \_\_\_\_\_

CERTIFIED BY \_\_\_\_\_

DATE \_\_\_\_\_

DWN BY \_\_\_\_\_  
 DATE \_\_\_\_\_

SD-2530



- NOTES
1. SUCTION AND DISCHARGE PORTS DEPENDENT ON DIRECTION OF ROTATION
  2. BEARING FLUSH PLUGS (1/2 N.P.T.) OPTIONAL

DIMENSIONS														
PORTS	C	CP	CP <sub>1</sub>	HC	HC <sub>1</sub>	HD	HS <sub>2</sub>	HL	HM	HO	HP	HT	O	Z
1		10 <sup>3</sup> / <sub>16</sub>	10 <sup>1</sup> / <sub>8</sub>			5	2 <sup>1</sup> / <sub>8</sub>	7 <sup>1</sup> / <sub>2</sub>		7 <sup>1</sup> / <sub>8</sub>	8 <sup>1</sup> / <sub>16</sub>	3 <sup>1</sup> / <sub>8</sub>		3 <sup>1</sup> / <sub>8</sub>
		261.9	276.2			127.0	53.9	190.5		200	71.4	19.0		19.0
MOTOR DATA	FRAME	H.P.	R.P.M.	PHASE / HZ / VOLTS										
ENCLOSURE	MFR													

**ECO PUMP CORPORATION**  
 SOUTH PLAINFIELD, N.J. U.S.A.

**G8 SERIES MOUNTED ON DRIP RIM BASE**

OWN BY: \_\_\_\_\_  
 DATE: \_\_\_\_\_

**SD-2541**

CUSTOMER \_\_\_\_\_ PO. NO. \_\_\_\_\_

ECO ORDER NO. \_\_\_\_\_ PUMP MODEL NO. \_\_\_\_\_ ITEM NO. \_\_\_\_\_

CERTIFIED BY \_\_\_\_\_ DATE \_\_\_\_\_