

SECTION/PAGE	C / 6200
EFFECTIVE	02 / 01 / 96
SUPERSEDES	I-93 REV. D

NOTES:
 1. FOR LANTERN RING PACKED BOX CROSS SECTION SEE SD-2653
 2. FOR MECHANICAL SEAL CROSS SECTIONS SEE SD-2652

ECO **Pulsafeeder, Inc.**
 ROCHESTER, NY USA

TYPICAL G6/G8 GEARCHEM® PUMP
 (RECESSED WEAR PLATE G6 SHOWN)
 EXPLODED VIEW

8/95	E	REM NIPPLE
7/91	D	REVISED ITEM NUMBERS
6/87	C	ADDED PACKING END RING
6/85	B	REV NOTES, LTRN R PKG BOX
8/79	A	CORRECTED NOMENCLATURE

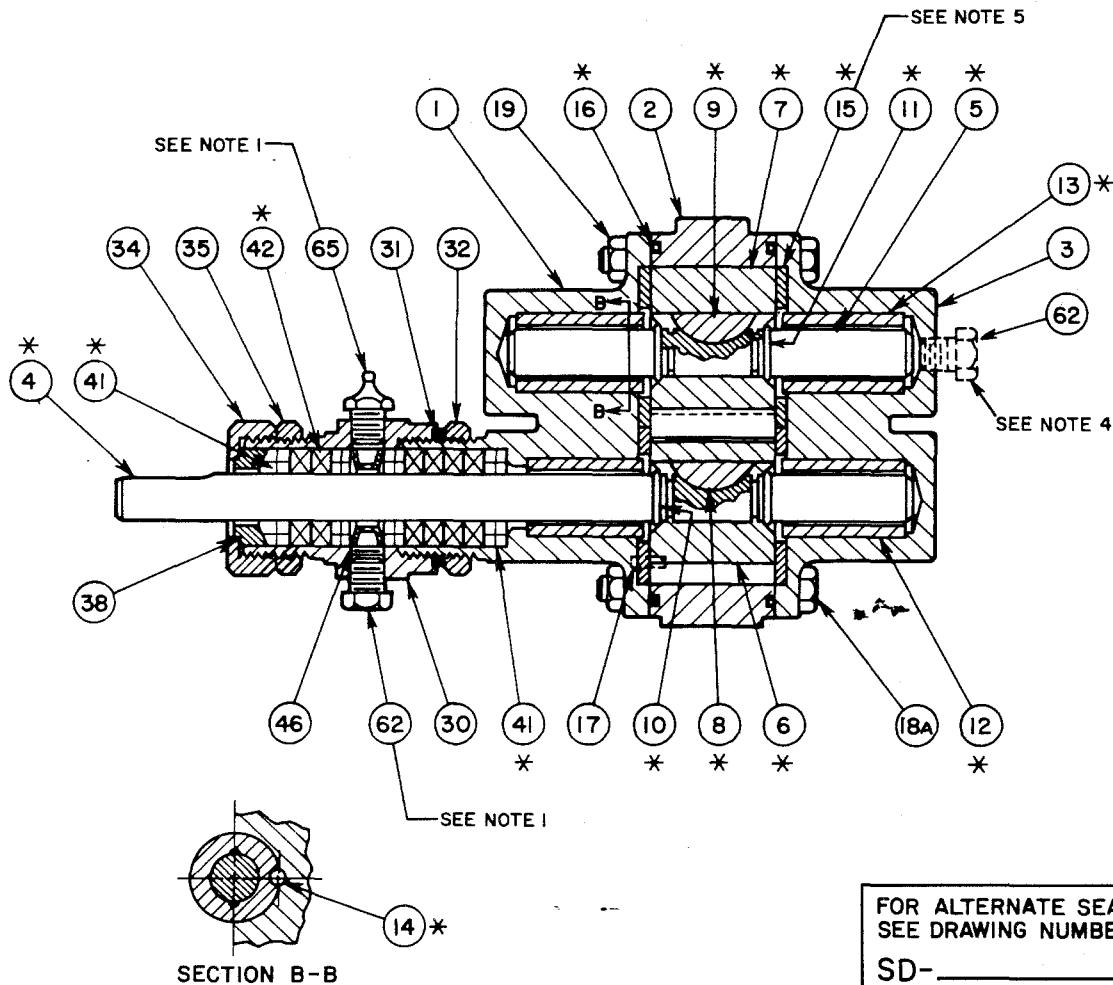
DWN. BY: B. R.
 DATE 3-1-78

SD-2538 / REV. E.



ITEM	PART NAME	ITEM	PART NAME
1	FRONT HOUSING	17	HOUSING PIN
2	CENTER HOUSING	18A	HOUSING BOLT
3	REAR HOUSING	19	NUT, HOUSING BOLT
4	DRIVE SHAFT	30	PACKING BOX
5	IDLER SHAFT	31	GASKET
6	DRIVE GEAR	32	LOCK NUT, HOUSING
7	IDLER GEAR	34	GLAND NUT
8	DRIVE KEY	35	LOCK NUT
9	IDLER KEY	38	PACKING GLAND
10	DRIVE RETAINING RING	41	PACKING END RING
11	IDLER RETAINING RING	42	PACKING RING
12	DRIVE BEARING	46	LANTERN RING
13	IDLER BEARING	62	PLUG, 1/8" NPT
14	BEARING LOCK PIN	65	GREASE FITTING
15	WEAR PLATE		
16	HOUSING O-RING		

SECTION / PAGE	C / 6201
EFFECTIVE	01-01-93
SUPERSEDES	01-26-81



FOR ALTERNATE SEAL
SEE DRAWING NUMBER
SD-_____

- NOTES:
1. PACKING BOX SHOWN 90° OUT OF POSITION.
 2. * RECOMMENDED SPARE PARTS, AVAILABLE AS OVERHAUL KIT.
 3. MECHANICAL SEALS ARE AVAILABLE.
 4. 1/8" N PT FLUSH PORTS ARE AN AVAILABLE OPTION.
 5. RECESSED WEAR PLATES ARE STANDARD AS SHOWN.

ECO PUMP CORPORATION
SOUTH PLAINFIELD, N.J. U.S.A.

G6 MODEL GEARCHEM® PUMP
CROSS SECTION
WITH LANTERN RING PACKING BOX

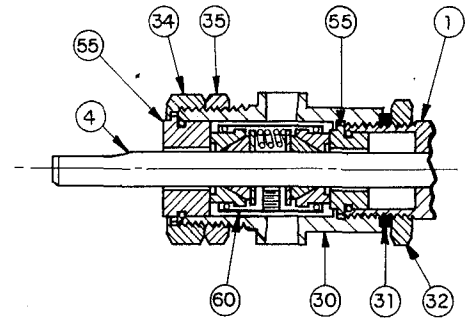
DWN. BY: B.R.

DATE: 10-1-79

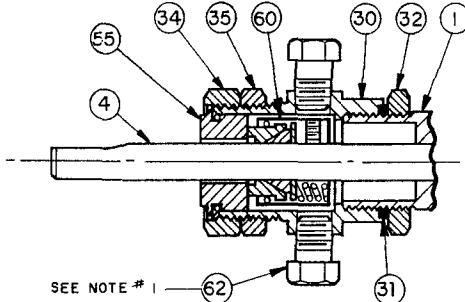
SD-2603

ITEM	PART NAME
1	FRONT HOUSING
4	DRIVE SHAFT
30	SEAL HOUSING
31	GASKET
32	LOCK NUT, HOUSING
34	GLAND NUT
35	LOCK NUT
36	SEAT RETAINER W/PIN
37	O-RING, SEAT RETAINER
39A	BOLT, SEAT RETAINER
55	SEAL SEAT W/SEAL RING GA12, 16
55	SEAL SEAT W/O-RING G2, 4, 6, 8
59	PIN, PUMP END SEAT
60	SEAL HEAD ASSEMBLY
62	PLUG, 1/8" NPT
63	PLUG, 1/4" NPT

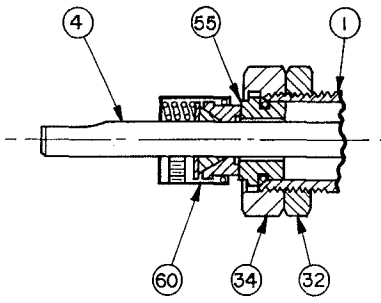
SECTION / PAGE	C / 6202
EFFECTIVE	02-01-96
SUPERSEDES	01-01-95



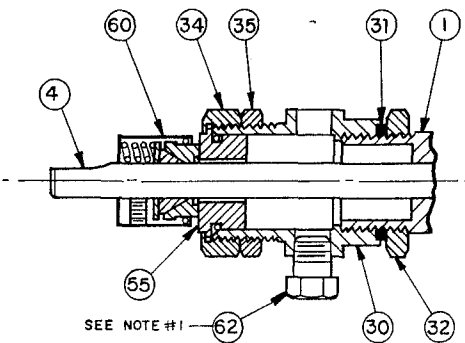
DOUBLE INTERNAL SEAL
A6, G2, G4, G6, G8



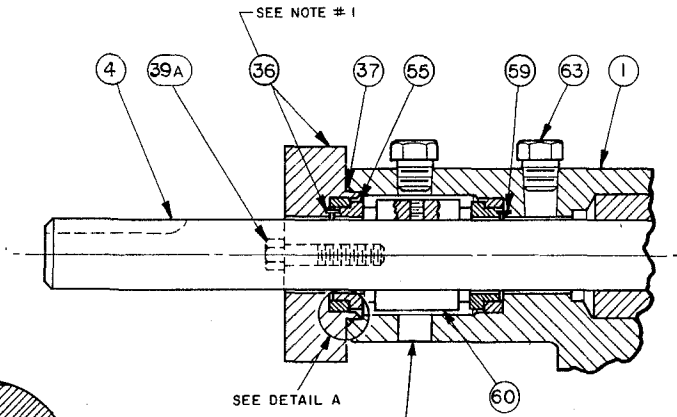
SINGLE INTERNAL SEAL
A6, G2, G4, G6, G8



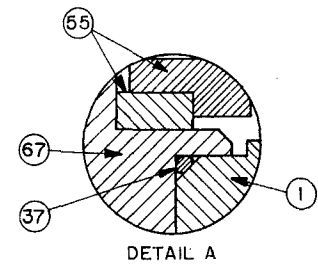
SINGLE EXTERNAL SEAL
A6, G2, G4, G6, G8



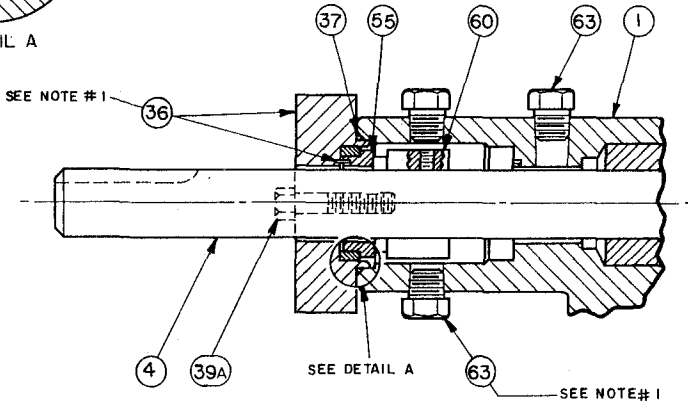
EXTERNAL SEAL FOR VACUUM SERVICE
G2, G4, G6, G8



DOUBLE MECHANICAL SEAL
GA12, GA16



DETAIL A

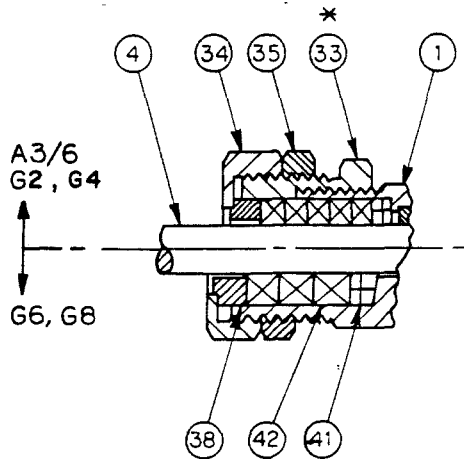


SINGLE MECHANICAL SEAL
GA12, GA16

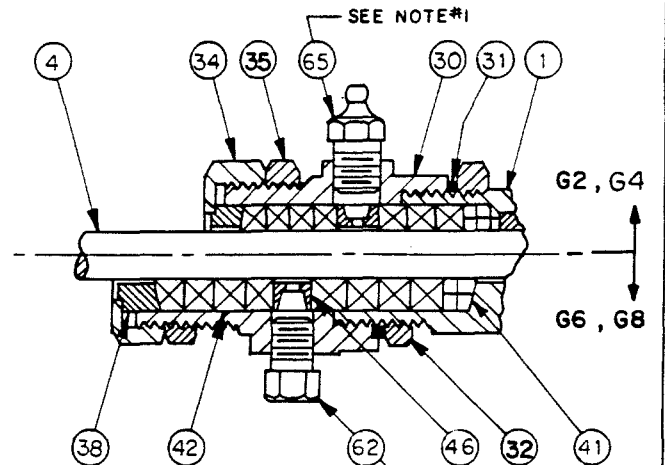
- NOTES: 1. PARTS SHOWN 90° OUT OF POSITION.
2. REFER TO STANDARD SALES BILL OF MATERIAL FOR PART NUMBERS AND QUANTITY.
3. FOR ALL DOUBLE MECHANICAL SEALS, CIRCULATE SUITABLE FLUID AT 25-30 PSI ABOVE PUMP DISCHARGE PRESSURE. FLUID TEMPERATURE & FLOW MUST BE ADEQUATE TO MAINTAIN A MAXIMUM TEMPERATURE OF 160°F IN SEAL HOUSING.

ECO	Pulsafeeder, Inc. ROCHESTER, NY USA
MECHANICAL SEAL ARRANGEMENTS FOR GEARCHEM/ROTARY PUMPS	
OWN BY: KRY	SD-2652
DATE: 6-19-85	
8/95 B REM NIPPLE	
7/91 A UPDATED ITEM NUMBERS	

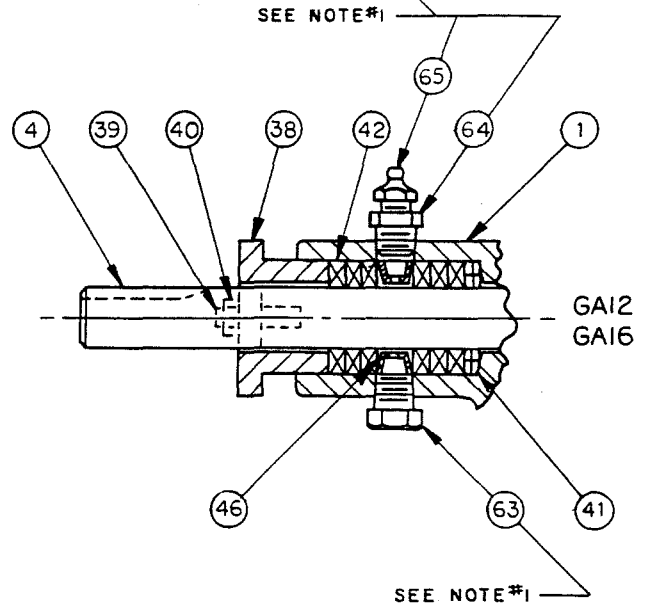
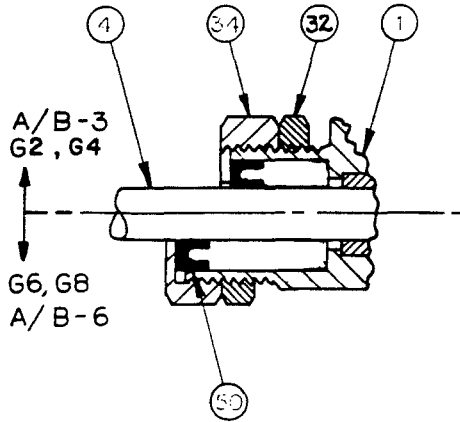
STANDARD STUFFING BOX



LANTERN RING STUFFING BOX



U-CUP LIP SEAL



65	GREASE FITTING
64	ADAPTOR, 1/4" TO 1/8" NPT
63	PLUG, 1/4" NPT
62	PLUG, 1/8" NPT
50	LIP SEAL, U-CUP
46	LANTERN RING
42	PACKING RING
41	PACKING END RING
40	NUT, STUD
39	STUD, PACKING GLAND
38	PACKING GLAND
35	LOCK NUT
34	GLAND NUT
33	HOUSING EXTENSION
32	LOCK NUT, HOUSING
31	GASKET
30	PACKING BOX
4	DRIVE SHAFT
1	FRONT HOUSING

NOTES:

- 1.) PARTS SHOWN 90° OUT OF POSITION
- 2.) * ITEM 33 COMPONENT ONLY A3/6, G2/4.
- 3.) REFER TO STANDARD SALES BILL OF MATERIAL FOR PART NUMBERS & QUANTITY.

ALL DIMENSIONS ARE IN INCHES



PACKING ARRANGEMENTS FOR
GEARCHEM/ROTARY PUMPS

REF	REMOVED ITEM NUMBER 53	04/04/01
	REVISION UPDATE	DATE

SECTION/PAGE	C/G6/6203
EFFECTIVE	04/03/01
SUPERSEDES	12/10/57

DWN BY KRY	SD-2653
DATE 6/19/85	

PARTS ARE ON MANUAL DRAWING

NOTES:

- 1.) PARTS SHOWN 90° OUT OF POSITION.
- 2.) * ITEM 33 COMPONENT ONLY A3/6, G2/4.
- 3.) REFER TO STANDARD SALES BILL OF MATERIAL FOR PART NUMBERS & QUANTITY.

65	GREASE FITTING
64	ADAPTOR, 1/4" TO 1/8"
63	PLUG, 1/4" NPT
62	PLUG, 1/8" NPT
50	LIP SEAL, U-CUP
46	LANTERN RING
42	PACKING RING
41	PACKING END RING
40	NUT, STUD
39	STUD, PACKING GLAND
38	PACKING GLAND
35	LOCK NUT
34	GLAND NUT
33	HOUSING EXTENSION
32	LOCK NUT, HOUSING
31	GASKET
30	PACKING BOX
4	DRIVE SHAFT
1	FRONT HOUSING
ITEM	PART NAME

ALL DIMENSIONS ARE IN INCHES

ECO

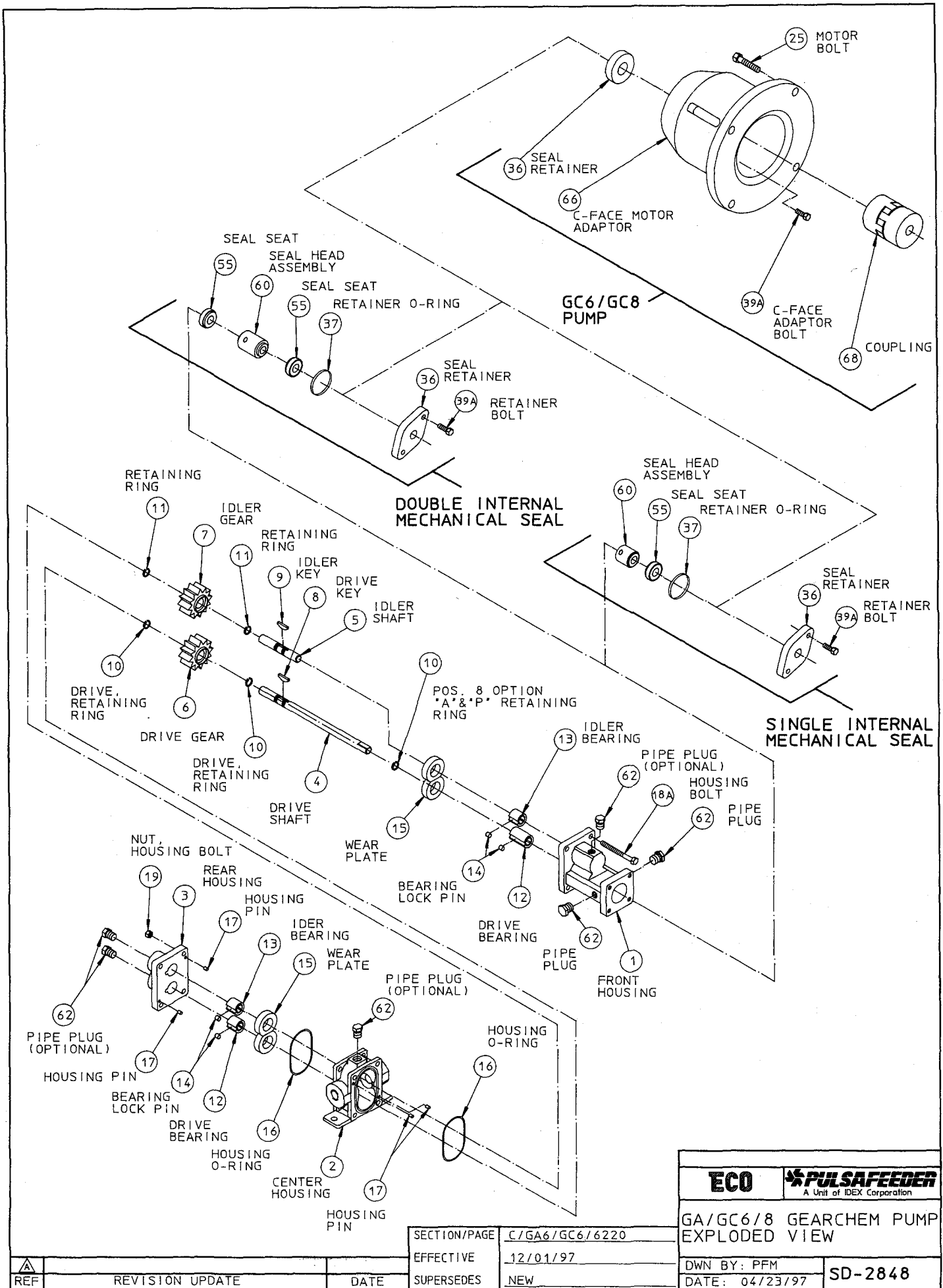
PULSAFEEDER
A Unit of IDEX Corporation

PACKING ARRANGEMENTS FOR
GEARCHEM/ROTARY PUMPS

△	REMOVED ITEM NUMBER 53	/ /
REF	REVISION UPDATE	DATE

SECTION/PAGE	
EFFECTIVE	04/03/01
SUPERSEDES	12/10/97

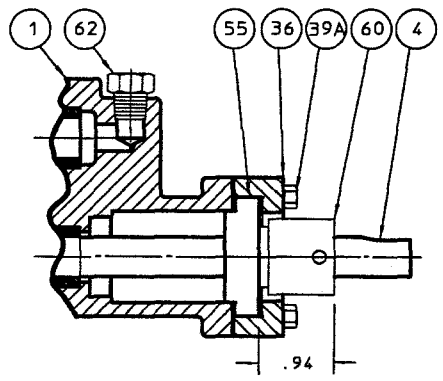
DWN BY: KRY	SD-2653
DATE: 6/19/85	



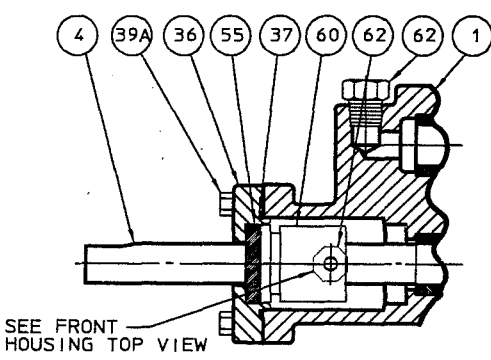
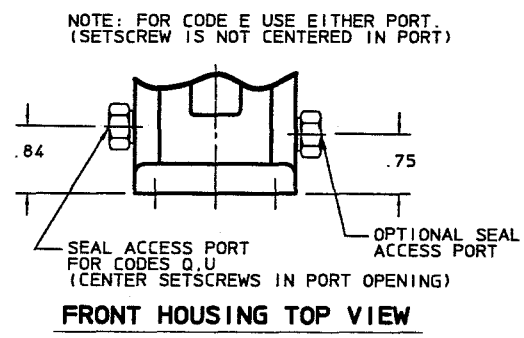
ECO		PULSAFEEDER A Unit of IDEX Corporation	
GA/GC6/8 GEARCHEM PUMP EXPLODED VIEW			
SECTION/PAGE		C/GA6/GC6/6220	
EFFECTIVE		12/01/97	
SUPERSEDES		NEW	
DWN BY: PFM		SD-2848	
DATE: 04/23/97			

REF	REVISION UPDATE	DATE
-----	-----------------	------

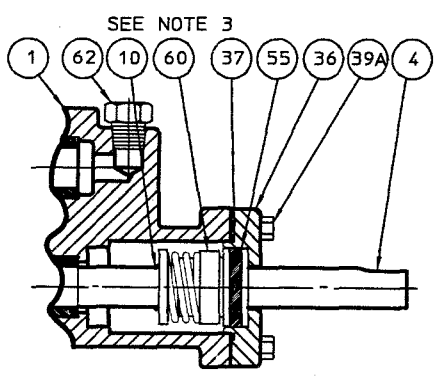
ITEM	PART NAME
1	FRONT HOUSING
4	DRIVE SHAFT
10	RETAINING RING
36	SEAL RETAINER
37	O-RING
39A	BOLT, RETAINER
55	SEAL SEAT
60	SEAL HEAD ASSEMBLY
62	PLUG, 1/8" NPT



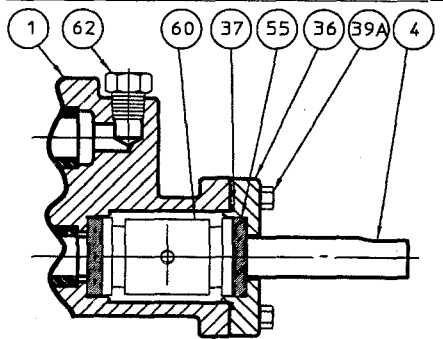
EXTERNAL MECH. SEAL CODE V,W



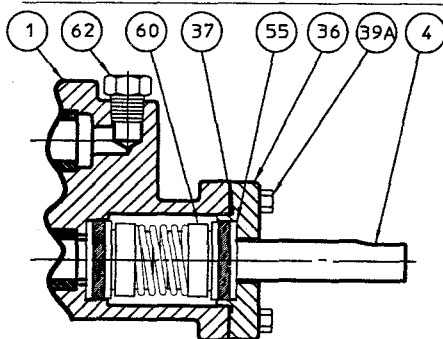
SINGLE MECH. SEAL CODE Q,U



SINGLE MECH. SEAL CODE A,P



DOUBLE MECH. SEAL CODE E



DOUBLE MECH. SEAL CODE C

- NOTES:
- REFER TO STANDARD SALES BILL OF MATERIALS.
 - FOR ALL DOUBLE MECHANICAL SEALS, CIRCULATE SUITABLE FLUID AT 25-30 PSI ABOVE PUMP DISCHARGE PRESSURE. FLUID TEMPERATURE AND FLOW MUST BE ADEQUATE TO MAINTAIN A MAXIMUM TEMPERATURE OF 450° F IN SEAL HOUSING.
 - ITEM 10 IS ONLY USED WITH POSITION B SEAL OPTION "A" & "P".

▲	UPDATED PICTORIALLY	10/14/98
REF	REVISION UPDATE	DATE

SECTION/PAGE	C/GA6/6221
EFFECTIVE	10/14/98
SUPERSEDES	12/01/97

ALL DIMENSIONS ARE IN INCHES

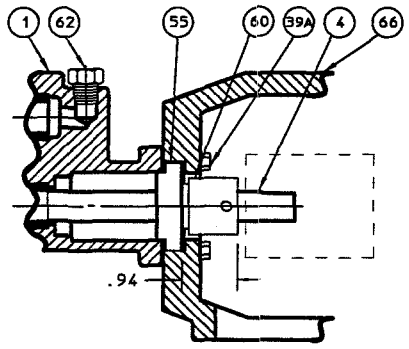
ECO **PULSAFEEDER**
A Unit of IDEX Corporation

GA6/GA8 GEARCHEM PUMP SEAL ARRANGEMENTS
CROSS SECTIONAL VIEWS

DWN BY: PFM
DATE: 05/01/97

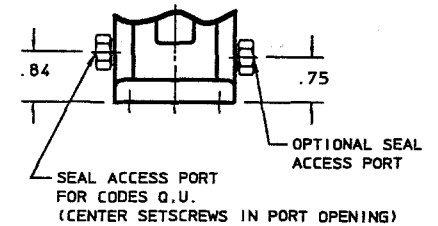
SD-2855

ITEM	PART NAME
1	FRONT HOUSING
4	DRIVE SHAFT
10	RETAINING RING
36	SEAL RETAINER
37	O-RING
39A	BOLT. RETAINER
55	SEAL SEAT
60	SEAL HEAD ASSEMBLY
62	PLUG, 1/8" NPT
66	C-FACE MOTOR ADAPTOR

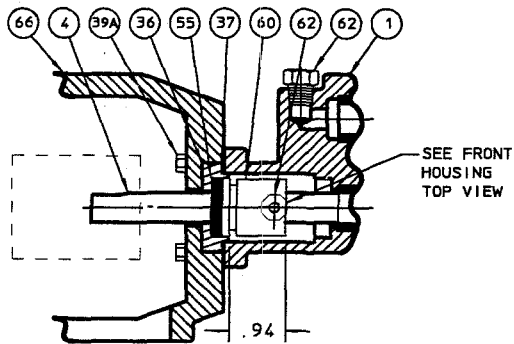


EXTERNAL MECH. SEAL CODE V, W

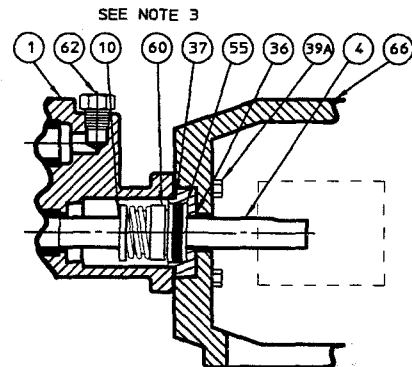
NOTE: FOR CODE E USE EITHER PORT.
(SETScrew IS NOT CENTERED IN PORT)



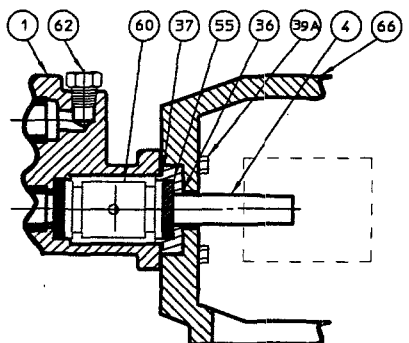
FRONT HOUSING TOP VIEW



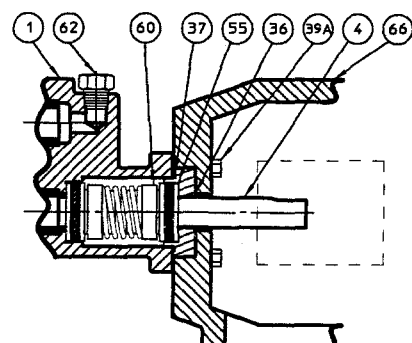
SINGLE MECH. SEAL CODE Q,U



SINGLE MECH. SEAL CODE A,P



DOUBLE MECH. SEAL CODE E



DOUBLE MECH. SEAL CODE C

- NOTES:
- REFER TO STANDARD SALES BILL OF MATERIALS.
 - FOR ALL DOUBLE MECHANICAL SEALS, CIRCULATE SUITABLE FLUID AT 25-30 PSI ABOVE PUMP DISCHARGE PRESSURE. FLUID TEMPERATURE AND FLOW MUST BE ADEQUATE TO MAINTAIN A MAXIMUM TEMPERATURE OF 450° IN SEAL HOUSING.
 - ITEM 10 IS ONLY USED WITH POSITION 8 SEAL OPTION "A"&"P".

ALL DIMENSIONS ARE IN INCHES

ECO **PULSAFEEDER**
A Unit of IDEX Corporation

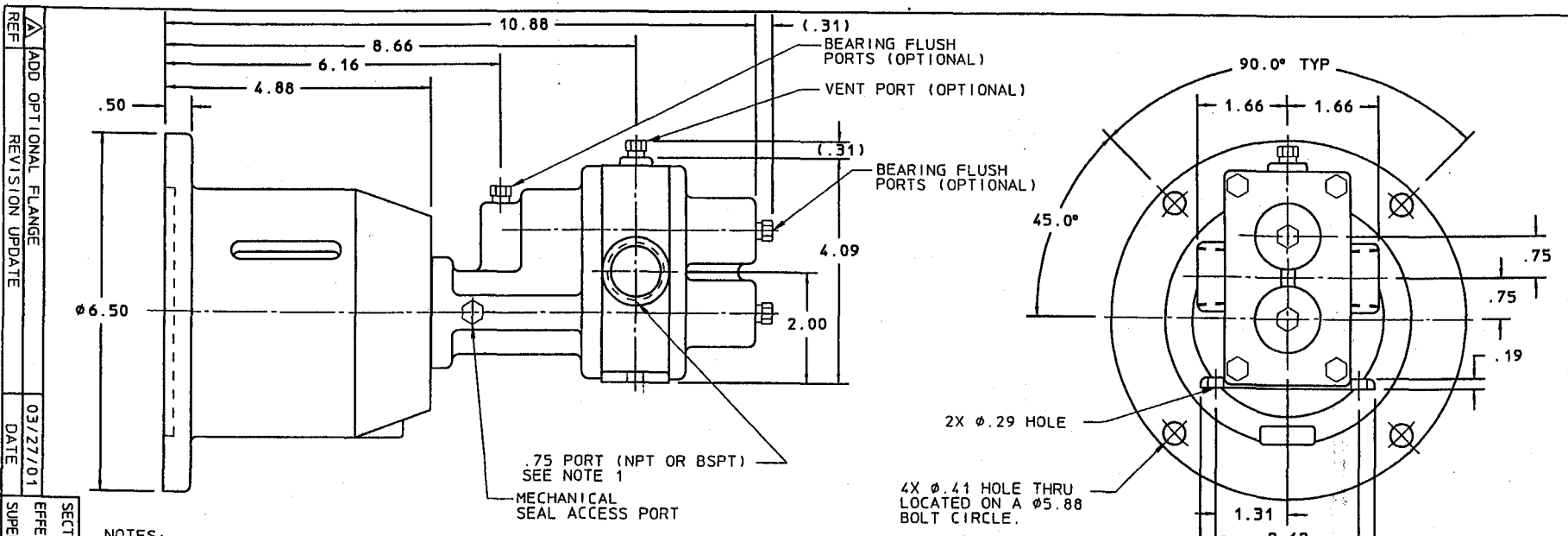
GC6/GC8 GEARCHEM PUMP
SEAL ARRANGEMENTS
CROSS SECTIONAL VIEWS

SECTION/PAGE	C/GC6/6222
EFFECTIVE	10/14/98
SUPERSEDES	12/01/97

DWN BY: PFM
DATE: 05/01/97

SD-2856

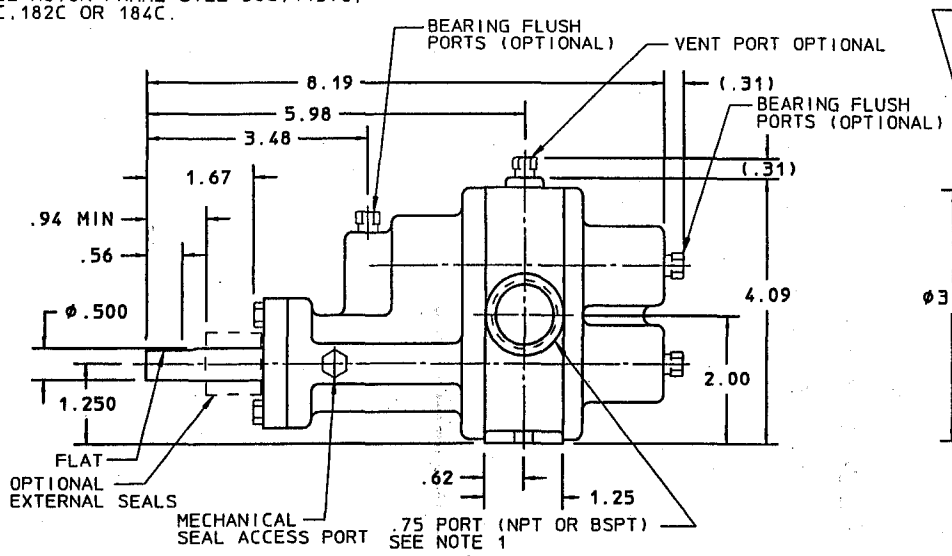
REF	REVISION UPDATE	DATE



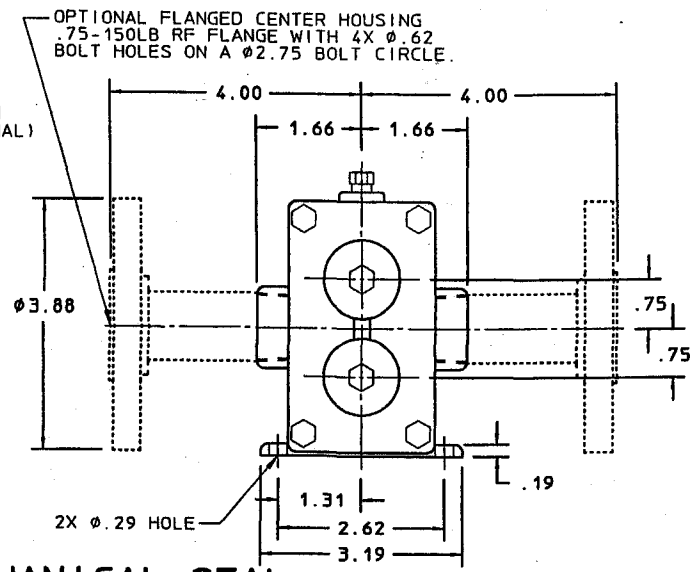
- NOTES:
- 1) SUCTION AND DISCHARGE PORTS ARE DEPENDENT UPON ROTATION.
 - 2) ALL STANDARD AND OPTIONAL PIPE PLUGS ARE .125 NPT.
 - 3) MODEL GC6 REQUIRES A FOOT MOUNTED C-FACE MOTOR FRAME SIZE 56C, 143TC, 145TC, 182C OR 184C.

GC6 SINGLE / DOUBLE MECHANICAL SEAL

ADD OPTIONAL FLANGE	SECTION/PAGE	C/GA6/GC6/6222
REVISION UPDATE	EFFECTIVE	03/27/01
DATE	SUPersedES	12/01/97



GA6 SINGLE / DOUBLE MECHANICAL SEAL



ALL DIMENSIONS ARE IN INCHES

ECO

PPUSAFTECO
A Unit of DEK Corporation

DIMENSIONAL DRAWING
GA6/GC6 PUMP UNMOUNTED

DWN BY: PFM
DATE: 04/28/97

SD-2852

REF A ADD FLANGED VIEW
REVISION UPDATE

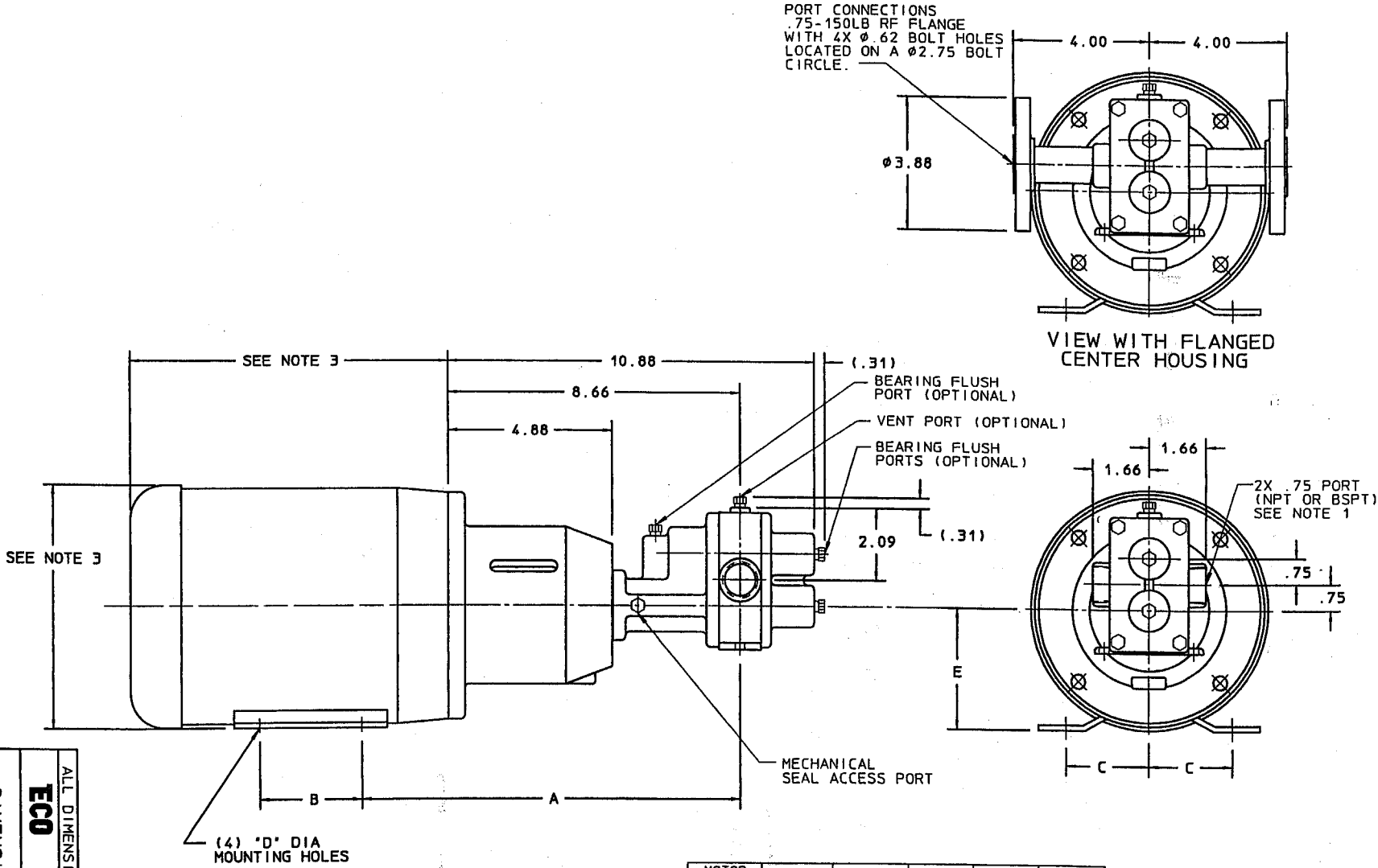
03/27/01
DATE

SECTION/PAGE C/GC 6/6225
EFFECTIVE 03/27/01
SUPERSEDES 12/01/97

DWN BY: PFM
DATE: 11/13/97
SD-2882

ALL DIMENSIONS ARE IN INCHES
ECO
FURNASHER
A Unit of DEK Corporation

DIMENSIONAL DRAWING
GC6 MOTOR MOUNTED

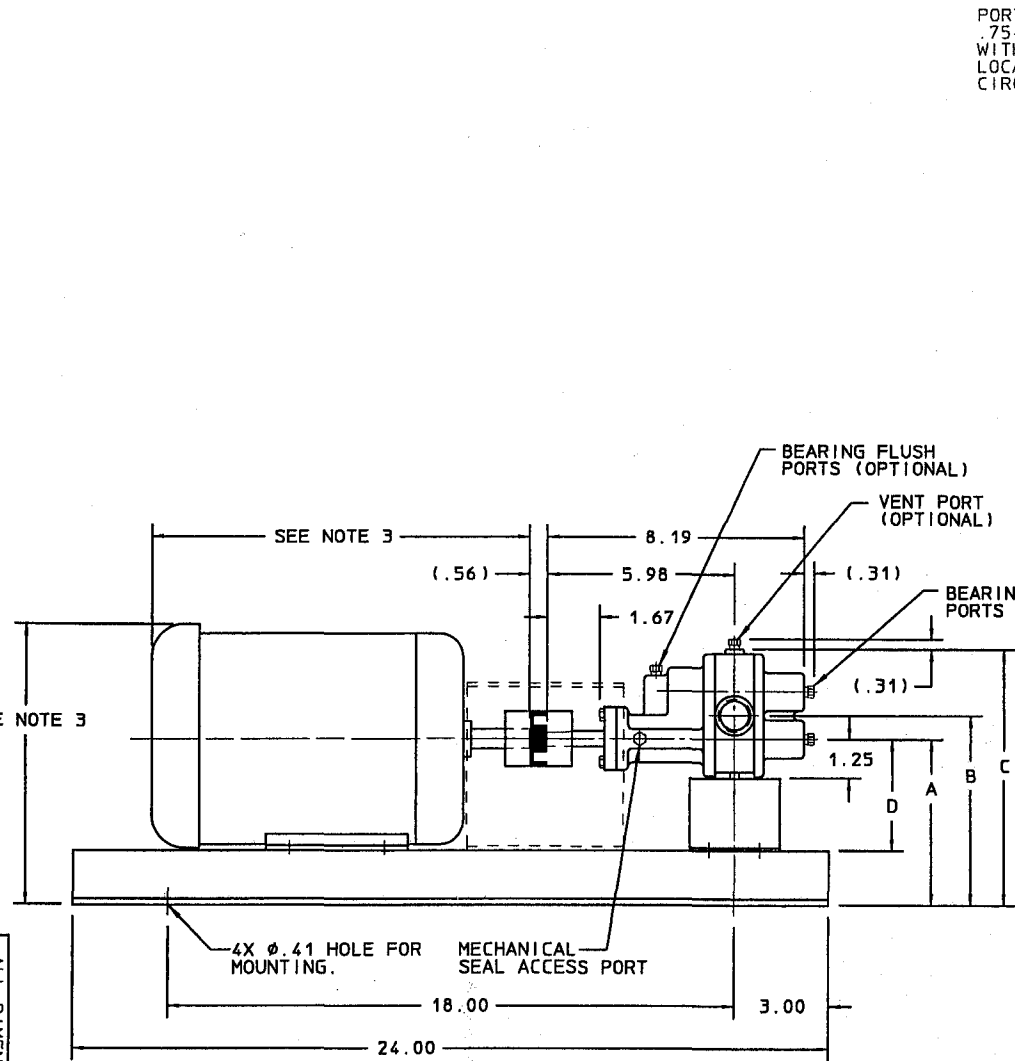


- NOTES:
- 1) SUCTION AND DISCHARGE PORTS ARE DEPENDENT UPON ROTATION.
 - 2) ALL STANDARD AND OPTIONAL PIPE PLUGS ARE .125 NPT.
 - 3) MOTOR DIMENSIONS VARY BY MANUFACTURER. CONSULT MANUFACTURER'S DRAWING FOR SPECIFICS.

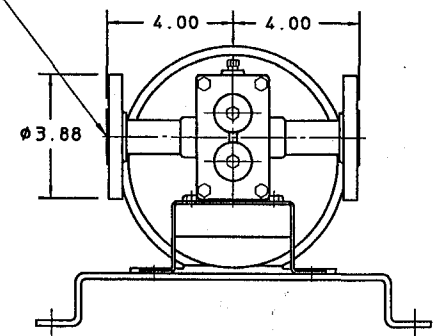
REF	ADD FLANGED VIEW	03/27/01	SECTION/PAGE	C/GA6/6226	DATE	12/01/97
	REVISION UPDATE		EFFECTIVE	03/27/01		
			SUPERSEDES	12/01/97		
			DWN BY: PFM	DATE: 11/03/97		
			SD-2878			

ALL DIMENSIONS ARE IN INCHES
ECO
FULL SAFERIDER
 A Unit of DEK Corporation

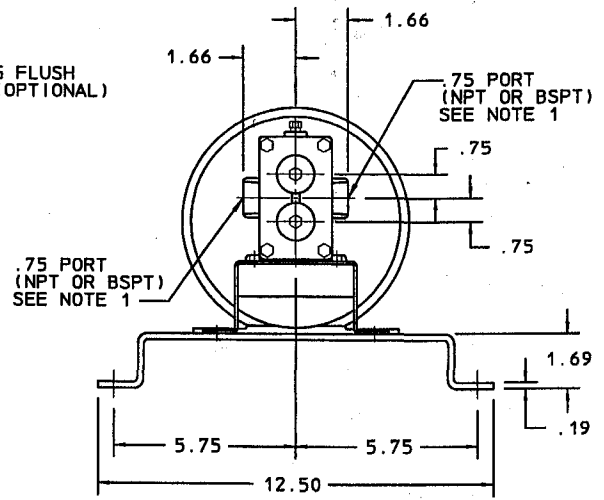
GA6 SERIES MOUNTED ON BASE PLATE



PORT CONNECTIONS
 .75-150LB RF FLANGE
 WITH 4X Ø.62 BOLT HOLES
 LOCATED ON A Ø2.75 BOLT
 CIRCLE.



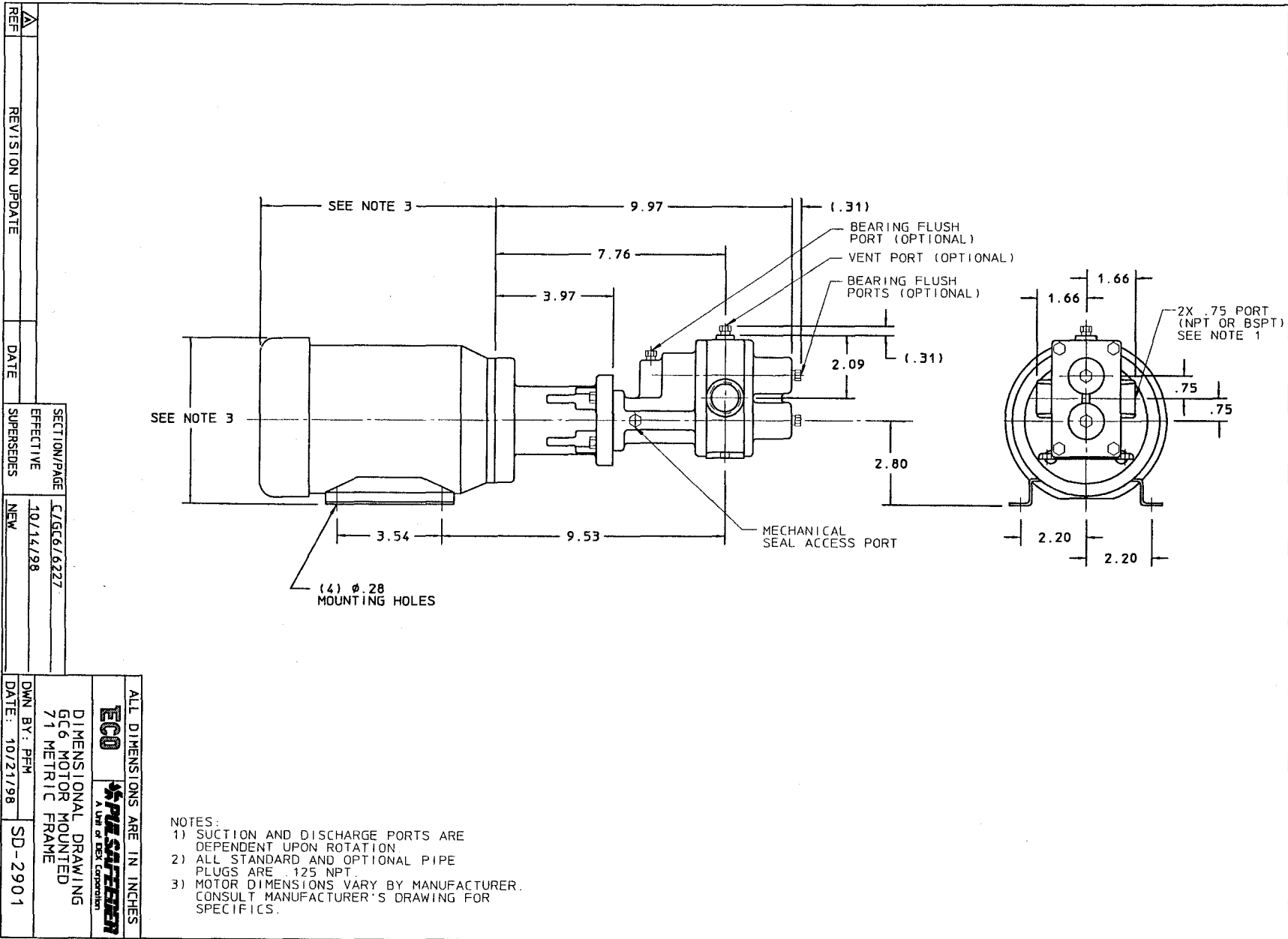
VIEW WITH FLANGED CENTER HOUSING



NOTES:

1. SUCTION AND DISCHARGE PORTS DEPENDENT ON DIRECTION OF ROTATION.
2. ALL STANDARD AND OPTIONAL PIPE PLUGS ARE (1/8" N.P.T.).
3. MOTOR DIMENSIONS VARY BY MANUFACTURER. CONSULT MANUFACTURERS DRAWING FOR SPECIFICS. BASE WILL ACCOMMODATE MOTOR FRAME SIZES, 56, 143/5T, AND 182/4T.

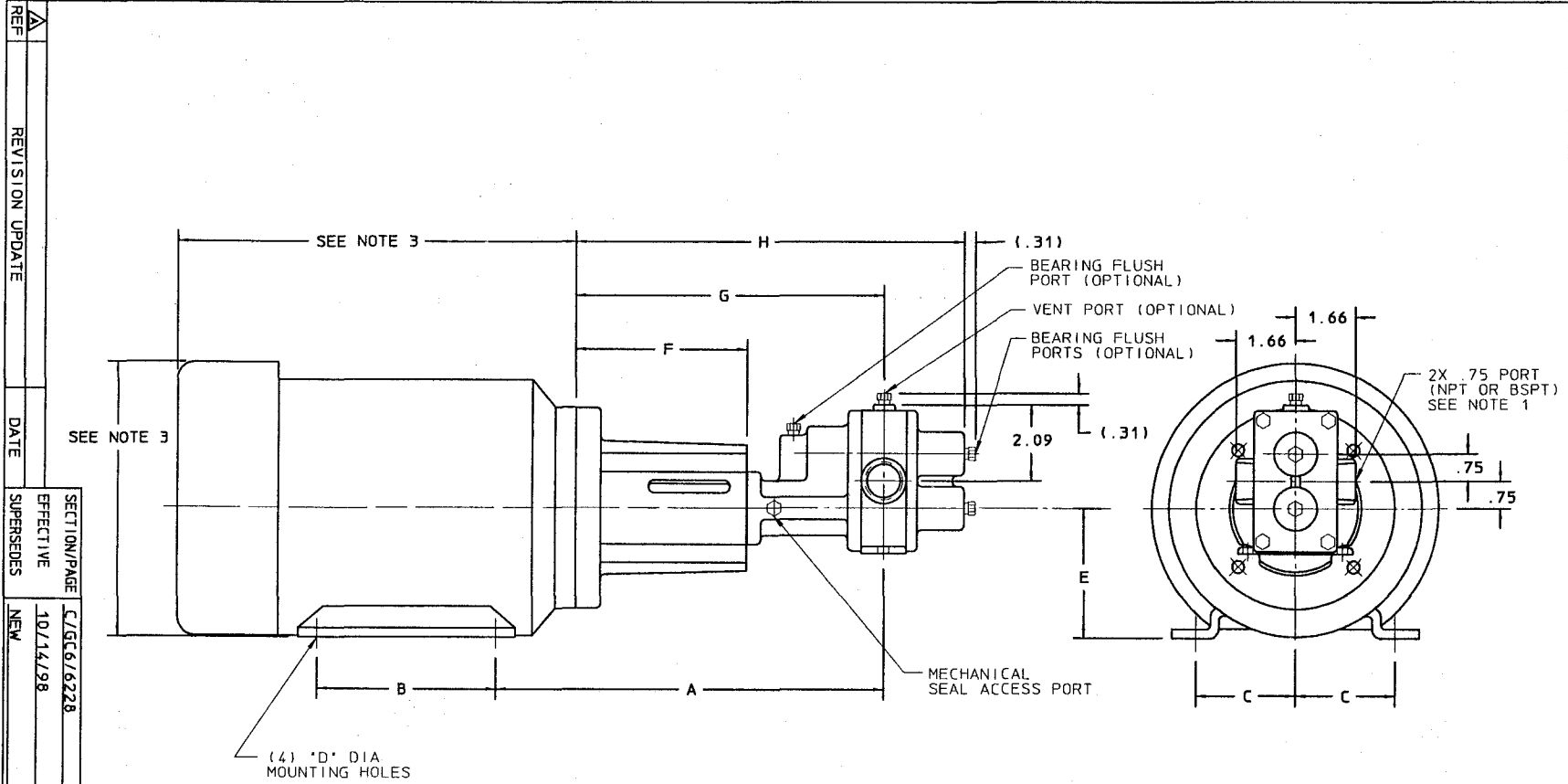
PUMP SERIES	DIMENSIONS			MOTOR INFO.	
	A	B	C	FRAME	D
GA6	5.19	5.94	8.03	56	3.50
	5.19	5.94	8.03	143/5T	3.50
	6.19	6.94	9.03	182/4T	4.50



REF	REVISION UPDATE	DATE	SECTION/PAGE	EFFECTIVE	SUPERSEDES
			C/GC6/6227	10/14/98	NEW

ALL DIMENSIONS ARE IN INCHES	
ECO	PULSIFIER
A UNIT of DEK Corporation	
DWN BY: PEM	DIMENSIONAL DRAWING
DATE: 10/21/98	GC6 MOTOR MOUNTED 71 METRIC FRAME
	SD-2901

- NOTES:
- 1) SUCTION AND DISCHARGE PORTS ARE DEPENDENT UPON ROTATION
 - 2) ALL STANDARD AND OPTIONAL PIPE PLUGS ARE .125 NPT.
 - 3) MOTOR DIMENSIONS VARY BY MANUFACTURER. CONSULT MANUFACTURER'S DRAWING FOR SPECIFICS.



REF	REVISION UPDATE	DATE	SECTION/PAGE	EFFECTIVE	SUPERSEDES
			C/GC6/6228	10/14/98	NEW

ALL DIMENSIONS ARE IN INCHES

TECO
A UNIT OF INOX CORPORATION

WALSAFTEER
A UNIT OF INOX CORPORATION

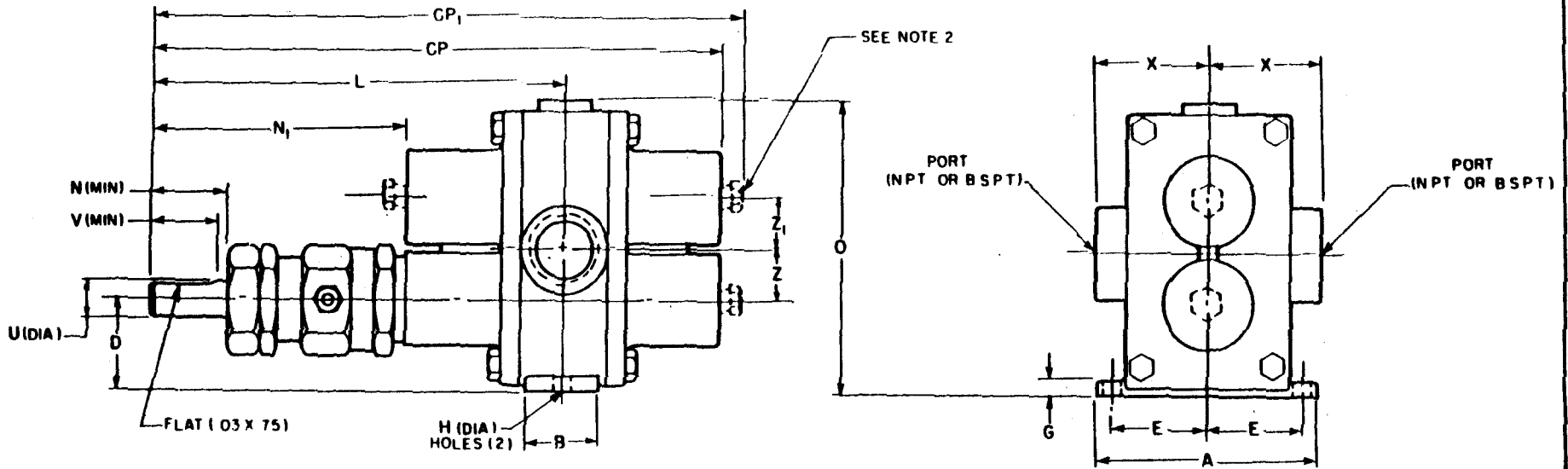
DIMENSIONAL DRAWING
GC6 MOTOR MOUNTED
80, 90 METRIC FRAME

DWN BY: PEM
DATE: 10/21/98

SD-2902

MOTOR FRAME	A	B	C	D	E	F	G	H
80C	10.10	3.94	2.46	.39	3.15	4.34	8.13	10.35
90SC	10.73	3.94	2.76	.39	3.54	4.73	8.52	10.74
90LC	10.73	4.92	2.76	.39	3.54	4.73	8.52	10.74

- NOTES:
- 1) SUCTION AND DISCHARGE PORTS ARE DEPENDENT UPON ROTATION
 - 2) ALL STANDARD AND OPTIONAL PIPE PLUGS ARE 125 NPT.
 - 3) MOTOR DIMENSIONS VARY BY MANUFACTURER. CONSULT MANUFACTURER'S DRAWING FOR SPECIFICS.



NOTES 1 SUCTION AND DISCHARGE PORTS DEPEND UPON DIRECTION OF ROTATION.
 2 BEARING FLUSH PLUGS (1/8 NPT) OPTIONAL.

PORTS	DIMENSIONS																FOR VACUUM SEAL ONLY						
	A	B	D	E	G	H	O	U	X	Z	Z ₁	CP	CP ₁	L	N	N ₁	V	CP	CP ₁	L	N	N ₁	V
3/4	3 3/8	1	1/4	1 5/16	3/16	9/32	4 3/32	1/2	1 21/32	3/4	3/4	8 3/16	8 3/4	5 31/32	1	3 3/4	1/8	10 3/16	10 7/8	8 3/32	2 3/16	5 1/8	1/8
	80.9	25.4	31.7	33.3	4.7	7.1	103.9	12.7	42.0	19.0	19.0	207.9	22.2	151.6	25.4	95.2	22.2	261.9	276.2	205.5	58.7	149.2	22.2

ECO PUMP CORPORATION
 SOUTH PLAINFIELD, N.J. USA

G6 SERIES
 UNMOUNTED PUMP

CUSTOMER _____ PO NO _____
 ECO ORDER NO. _____ PUMP MODEL _____ ITEM NO _____
 CERTIFIED BY _____ DATE _____

DWN BY _____
 DATE _____

SD-2506