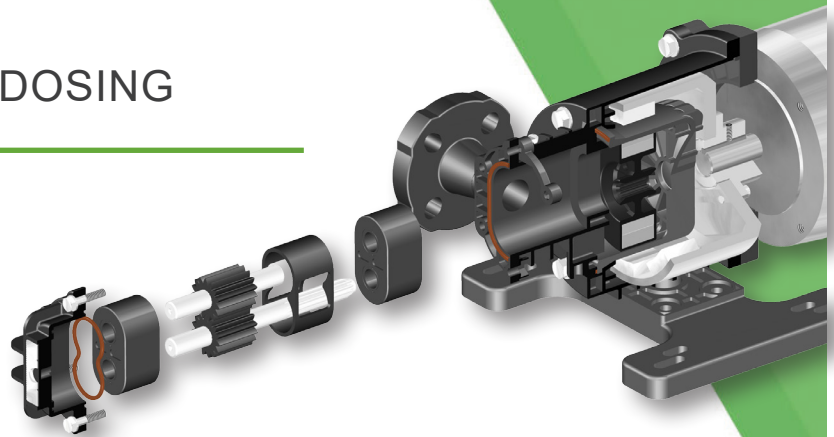


# ECLIPSE<sup>®</sup>

## GEAR PUMPS FOR CHEMICAL DOSING

**Middlesex Water Company**  
**Highland Park, N.J.**  
Valley Tech, Inc.,  
Pulsafeeder Authorized Distributor



Pulsafeeder's Eclipse pumps provide successful chemical dosing at the Middlesex Water Company in Highland Park, New Jersey. The existing peristaltic pumps, which were ultimately replaced, were creating excessive pulsations in the discharge, causing system upsets, and disrupting the disinfection process.

### Before the installation of Eclipse

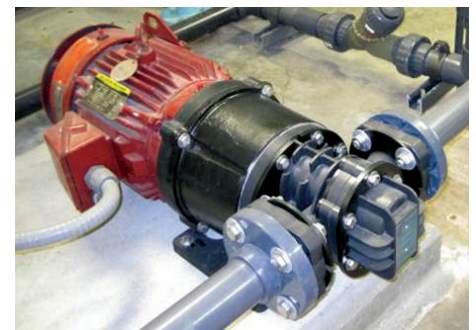
- Excessive pulsation in hose pumps at high speed caused system upsets
- Inconsistent and unpredictable hose life made hose pumps costly to maintain
- Environmental and safety impacts resulted from hose breakage and leakage

### Eclipse benefits

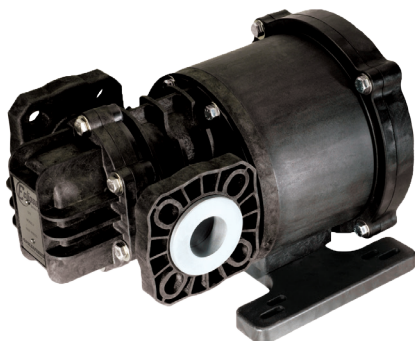
- Eclipse offers linear flow characteristics and handles gaseous fluids without binding
- Leak free construction ensures safety of operators and plant personnel
- Eclipse offers predictable maintenance intervals by monitoring motor frequency in Hz

### Eclipse for Chemical Dosing

Prior to the installation of Eclipse Series products, peristaltic pumps were creating excessive pulsation, constantly disrupting the process and work flow. Eclipse pumps were sized to the exact needs of the application, ensuring safety, reliability, and low cost operation.



Pump Model	Quantity	Chemical Pumped	Flow (gpm)	Max Working Pressure
E125	2	Sodium Hypochlorite	25.4	60 psi



#### Pulsafeeder, Inc.

2883 Brighton Henrietta Town Line Rd.  
Rochester, NY 14623  
Phone: +1 (585) 292-8000  
pulsa@idexcorp.com • [pulsa.com](http://pulsa.com)

*Pulsafeeder is an ISO 9001:2008 certified company.*

© Copyright 2016 Pulsafeeder. All rights reserved.