

MPC VECTOR

Automatic flow control for any chemical feed pump

The MPC Vector is a microprocessor based motor speed control device, for use with all pump technologies and has been designed for simplicity, yet has many advanced features that allow a wide variety of environments and applications. This product is not just a variable speed drive. It is a state of the art multifunctional controller. The key features below will reveal the unique functionality of this device.



- Designed with safety and ergonomics in mind
- NEMA 4X (IP56) rating on the control and the handheld keypad enclosures
- Handheld keypad can be mounted up to 1000 feet (304 m) from the enclosure
- Motor on/off control on handheld keypad with high visibility red button
- Uses a state of the art sensorless vector type drive
- Infinite turndown with the appropriate motor, for a wide range of flow control
- Input, output processor (4-20 mA and digital)
- PID loop for closed loop flow control
- Handheld Keypad Displays
 - Flow: GPH, LPH, GPM, LPM
 - Speed: RPM
- **PulsaGuard Technology**, ensures that the pump will not run-dry
- Security code to lock out unauthorized users
- UL and CSA Approval pending, CE Approved

The MPC Vector can be remote mounted on a wall near the installed equipment at a convenient height.

The operator can remove the handheld keypad, making adjustments while in a comfortable and upright position.

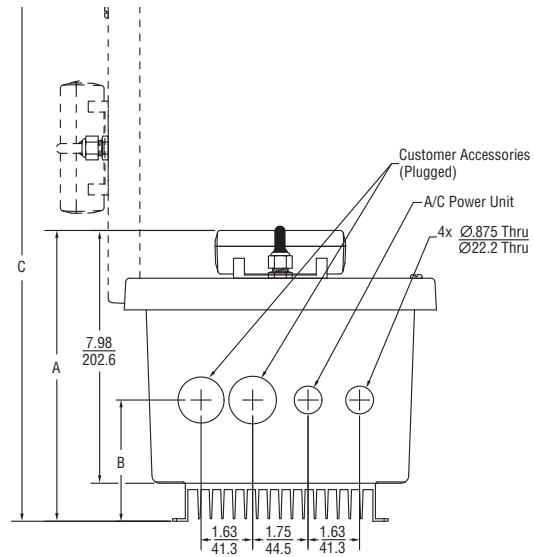
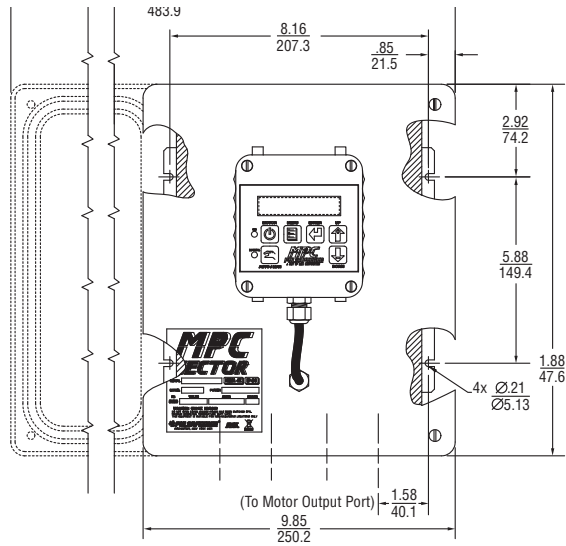


MPC-Vector
NEMA 4X (IP56)



Detachable handheld
keypad with 6ft (1.8 m)
of cable as standard

(Front Cover)



MPC-Vector Model Number String

Model Position 1 & 2	EP	Product
Enclosure Position 3	C	NEMA 4 (IP56)
	P	Panel Open Chassis, Remote NEMA 4X
HP / Voltage Position 4	A	Fractional to 1 HP (0.75 kW) - 208-230 VAC, 1 or 3 phase, 50/60 Hz
	B	2 HP (1.5 kW) - 208-230 VAC, 1 or 3 phase, 50/60 Hz
	C	3 HP (2.2 kW) - 208-230 VAC, 1 or 3 phase, 50/60 Hz
	D	5 HP (3.75 kW) - 208-230 VAC, 3 phase ONLY, 50/60 Hz
	E	Fractional to 1 HP (0.75 kW) - 480 VAC, 3 phase, 50/60 Hz
	F	2 HP (1.5 kW) - 480 VAC, 3 phase, 50/60 Hz
	G	3 HP (2.2 kW) - 480 VAC, 3 phase, 50/60 Hz
	H	5 HP (3.75 kW) - 480 VAC, 3 phase, 50/60 Hz
Language Position 5	X	English
	A	German
	B	French
	C	Spanish
	D	Dutch

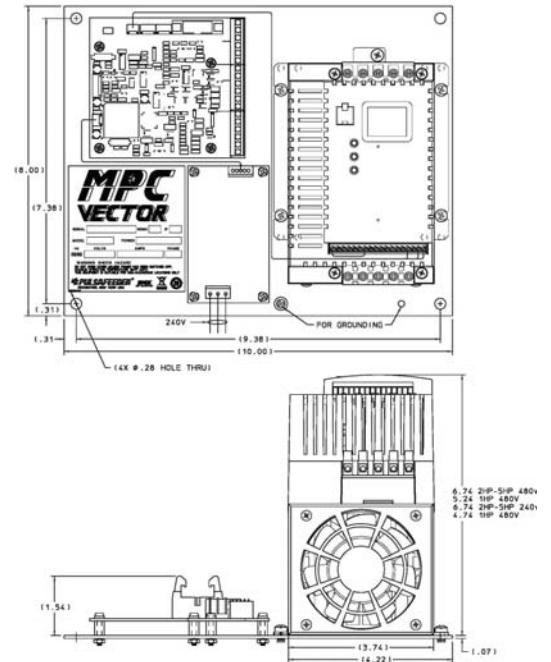
Dimensional Specifications

Model	A		B		C	
	(in.)	(mm)	(in.)	(mm)	(in.)	(mm)
1 HP	9.50	241.3	4.16	105.7	18.53	470.7
2 HP	9.50	241.3	4.16	105.7	18.53	470.7
3 HP	9.82	249.5	4.47	113.5	18.85	478.9
5 HP	10.86	275.9	5.51	140.0	19.89	505.3

1 and 2 HP models come with heat sink adaptor bracket to make installation easier. The dimensions shown are with these brackets installed on the unit.

Technical Specifications

Analog Inputs	(Two) 4-20 mA, Control and Flow meter feedback
Analog Outputs	(One) 4-20 mA, Flow indication
Digital Inputs	(Two), Remote On/Off, Tank level, Leak detection or Flow verification
Digital Outputs	(Three), Auto/Manual, On/Off status, Trigger relay or Alarm
Rated Ambient Temperature	32 - 104° F (0 - 40° C)
Flow Control (Turndown)	Is dependent upon: <ul style="list-style-type: none"> • Use of instrumentation (user supplied flow metering device) • Open or Closed-loop system • Process variables • Operating pressure • Fluid viscosity • Motor rating and turndown



Visit us on the web at www.pulsafeeder.com.



Pulsafeeder, Inc.
 Engineered Pump Operations
 2883 Brighton Henrietta Townline Rd
 Rochester NY 14623
 585-292-8000 Fax: 585-424-5619

MPC®, MPC Vector® and PalsaGuard are register trademarks of Pulsafeeder, Incorporated. MPCV Rev. 10/08

