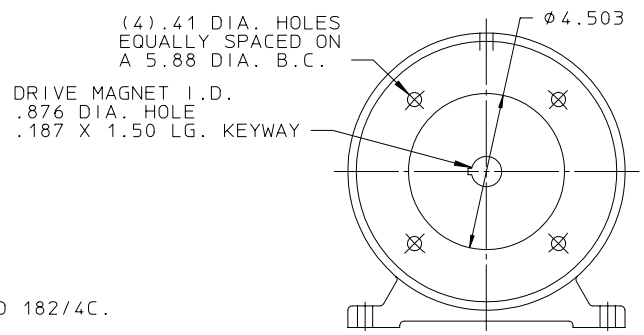
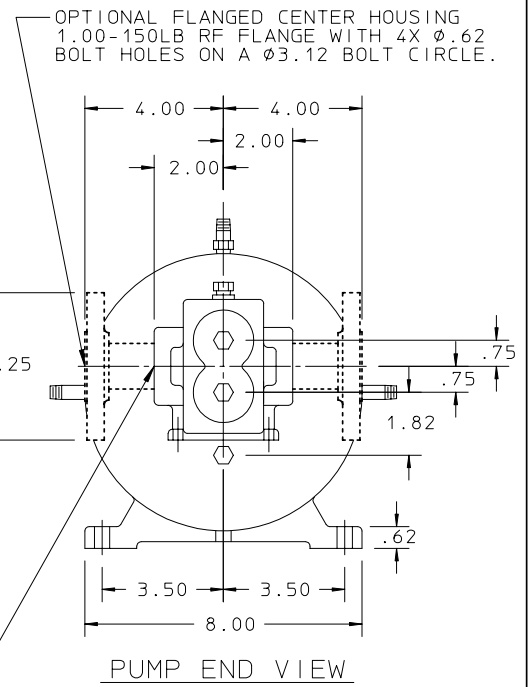
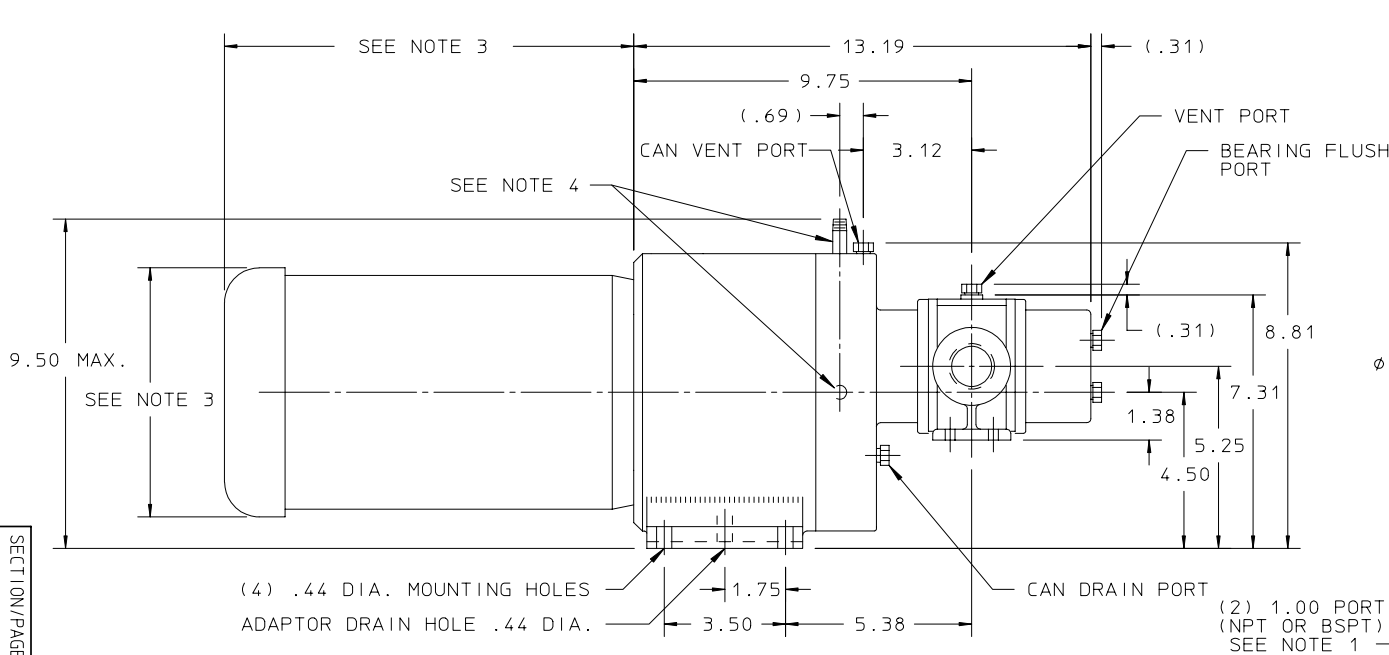


REF	ADDED	OPTIONAL FLANGE
	REVISION	UPDATE
	DATE	03/27/01
	EFFECTIVE	SECTION/PAGE
	SUPERSEDES	MODEL
		DATE
		DWN BY
		DATE
		SD-2769



- NOTE:
- 1.) SUCTION AND DISCHARGE PORTS DEPENDENT ON DIRECTION OF ROTATION.
  - 2.) ALL STANDARD AND OPTIONAL PORT CONNECTION PIPE PLUGS ARE 1/8" NPT.
  - 3.) MOTOR DIMENSIONS VARY BY MANUFACTURER-  
CONSULT MOTOR MANUFACTURERS DRAWING FOR SPECIFICS.  
MOTOR ADAPTOR WILL ACCOMMODATE NEMA C-FACE FRAME SIZES; 143/5TC, AND 182/4C.
  - 4.) (2) 1/8" NPT PIPE CONNECTION PORTS ARE STANDARD WITH DOUBLE CAN OPTION.  
STANDARD ASSEMBLY IS LEFT/TOP CONNECTION PORT ORIENTATION WHEN VIEWED FROM PUMP END.  
CUSTOMER TO SPECIFY WHEN RIGHT/TOP CONNECTION PORT ORIENTATION IS REQUIRED.

ALL DIMENSIONS ARE IN INCHES

**Isoschem**  
A Unit of IDEX Corporation

**Pulsafeeder**

DIMENSIONAL DRAWING  
GMH8 PUMP UNMOUNTED  
143TC - 184C FR MOTOR

DWN BY: CLA

DATE: 04/04/94