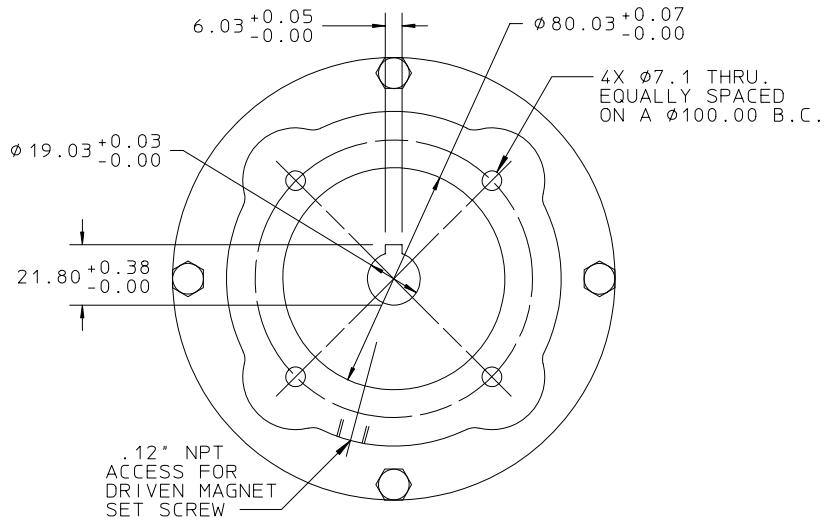



OPTIONAL FLANGED CENTER HOUSING
 1.00-150LB RF FLANGE WITH 4X $\phi 15.7$
 BOLT HOLES ON A $\phi 79.4$ BOLT CIRCLE.



NOTES:

1. SUCTION AND DISCHARGE PORTS DEPENDENT UPON PUMP SHAFT ROTATION.
2. BEARING FLUSH AND DRAIN PLUGS (.12 NPT) ARE OPTIONAL.
3. VENT PLUG (.12 NPT) OPTIONAL.
4. MUST USE FOOT MOUNTED 80 FRAME C-FACE MOTOR.
5. FLANGE SIZE IS IN INCHES.

MOTOR MOUNTING

SECTION/PAGE		MODEL GM8 / 301		ALL DIMENSIONS ARE IN MM	
EFFECTIVE		03/27/01		 MODEL GMC8 PUMP UNMTD FOR 80C FRAME MOTOR	
SUPERSEDES		04/01/98			
ADDED OPTIONAL FLANGE		03/27/01		DWN BY: CLA	
REVISION UPDATE		DATE		DATE: 09/15/97	
				SD2866	