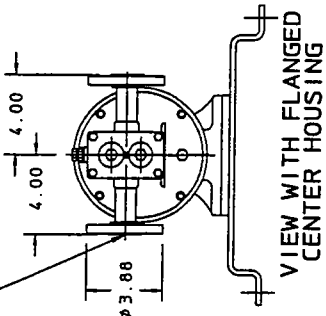
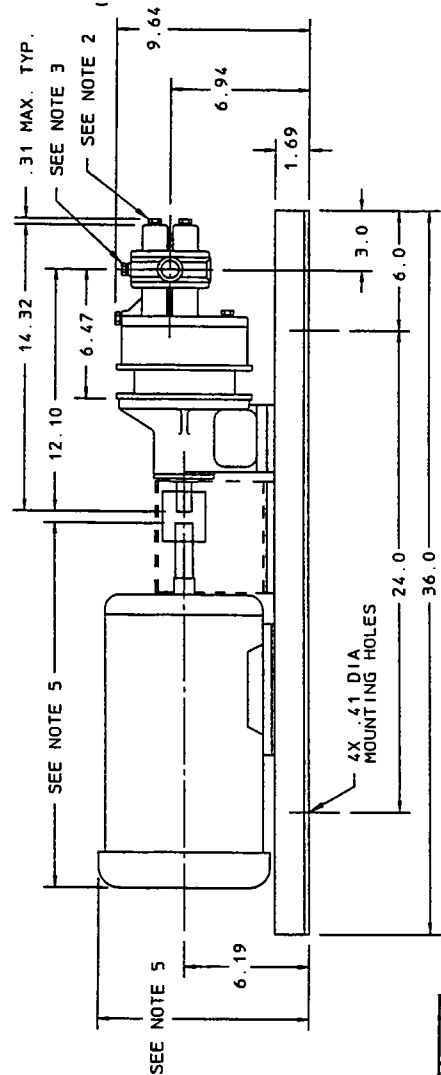
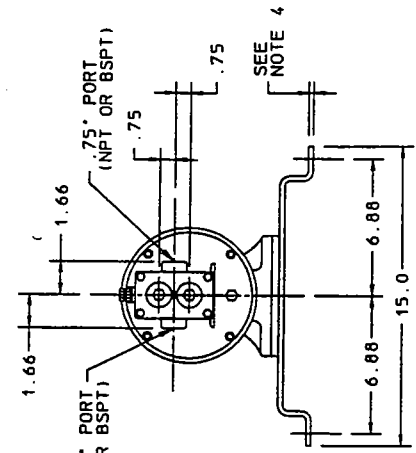


PORT CONNECTIONS
75° 150LB RF FLANGE WITH 4X Ø.62
BOLT HOLES ON A Ø2.75 BOLT CIRCLE.



VIEW WITH FLANGED
CENTER HOUSING



- NOTES:
1. SUCTION AND DISCHARGE PORTS ARE DEPENDENT UPON PUMP SHAFT ROTATION.
 2. BEARING FLUSH AND DRAIN PLUGS (.12 NPT) ARE OPTIONAL.
 3. VENT PLUG (.12 NPT) OPTIONAL.
 4. MATERIAL THICKNESS: STEEL .25 THK. STAINLESS STEEL .19 THK.
 5. MOTOR DIMENSIONS VARY BY MANUFACTURER. CONSULT MANUFACTURER'S DRAWING FOR SPECIFICS.

REF	ADDED FLANGED VIEW	03/27/01
	REVISION UPDATE	DATE

SECTION/PAGE	MODEL GM6 / 305
EFFECTIVE	03/27/01
SUPERSEDES	04/01/98

ALL DIMENSIONS ARE IN INCHES	
Isochem PULSAFEEDER A Unit of IDEX Corporation	
MODEL GM6/GMC6 MTD BASE AND PEDESTAL 182-184T FRAME MOTORS	
DWN BY: JEM JR	SD2680
DATE: 10/27/89	