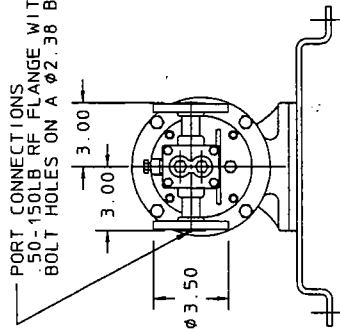
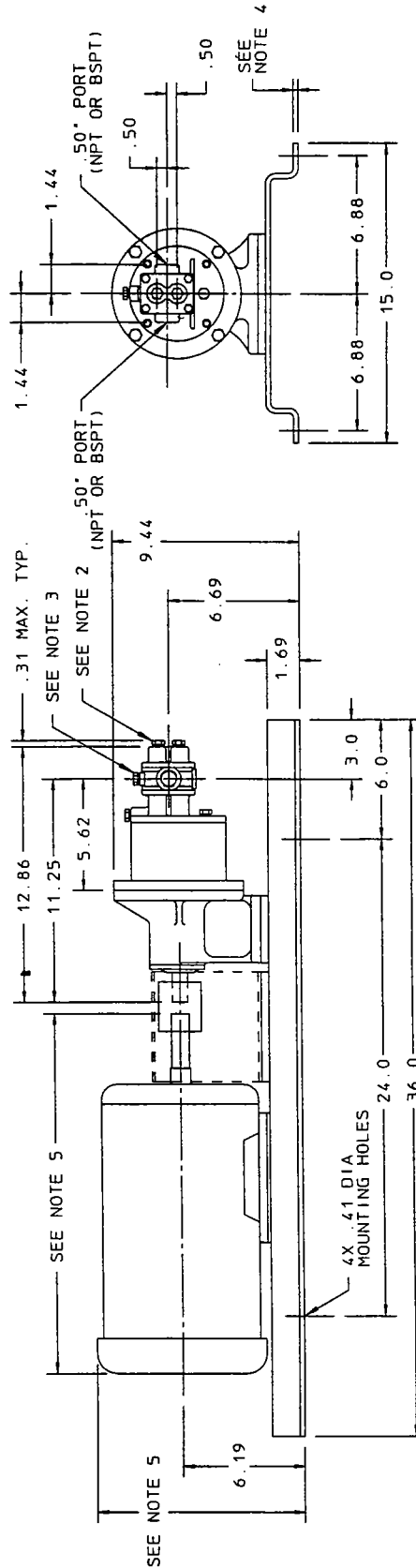


PORT CONNECTIONS
 .50-150LB RF FLANGE WITH 4X ϕ .62
 BOLT HOLES ON A ϕ 2.38 BOLT CIRCLE.



VIEW WITH FLANGED
 CENTER HOUSING



NOTES:

1. SUCTION AND DISCHARGE PORTS ARE DEPENDENT UPON PUMP SHAFT ROTATION.
2. BEARING FLUSH AND DRAIN PLUGS (.12 NPT) ARE OPTIONAL.
3. VENT PLUG (.12 NPT) OPTIONAL.
4. MATERIAL THICKNESS:
 STEEL .25 THK.
 STAINLESS STEEL .19 THK.
5. MOTOR DIMENSIONS VARY BY MANUFACTURER. CONSULT MANUFACTURER'S DRAWING FOR SPECIFICS.

ALL DIMENSIONS ARE IN INCHES



MODEL GM4/GMC4
 MTD BASE AND PEDESTAL
 182-184T FRAME MOTORS

REF	ADDED FLANGED VIEW	03/27/01
	REVISION UPDATE	DATE

SECTION/PAGE	MODEL GM4 / 305
EFFECTIVE	03/27/01
SUPERSEDES	04/01/98

DWN BY: JEM JR	SD2678
DATE: 10/27/89	