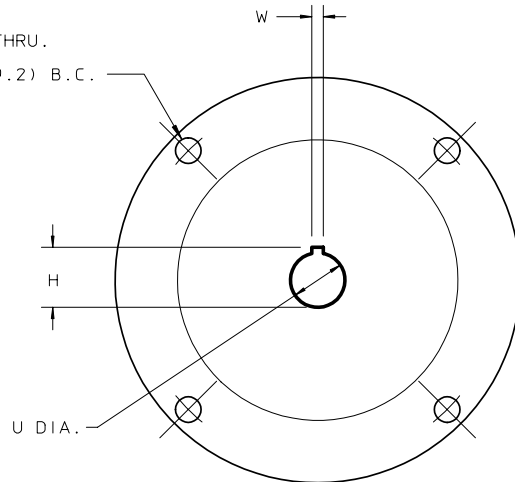


4X $\phi .41$ (10.4) THRU.
 EQUALLY SPACED
 ON A $\phi 5.875$ (149.2) B.C.

MOTOR FRAME	U DIA. SHAFT	W KEY WIDTH	H KEY HIGHT
56C	.625 15.9	.188 4.7	.71 18.0
143TC	.875 22.2		.96 24.4
145TC			
182C			
184C			



MOTOR MOUNTING

NOTES:

- SUCTION AND DISCHARGE PORTS DEPENDENT UPON PUMP SHAFT ROTATION.
- BEARING FLUSH AND DRAIN PLUGS (.12 NPT) ARE OPTIONAL.
- VENT PLUG (.12 NPT) OPTIONAL.
- MUST USE FOOT MOUNTED C-FACE MOTOR OF SPECIFIED FRAME SIZE.

ALL DIMENSIONS ARE INCHES / MM	
Isochem PULSAFEEDER A Unit of IDEX Corporation	
MODEL GM2/GMC2 PUMP UNMTD FOR 56C, 143TC - 184C FR MOTORS	
DWN BY: CLA	SD2666
DATE: 10/22/97	

SECTION/PAGE	MODEL GM2 / 300
EFFECTIVE	03/27/01
SUPERSEDES	04/01/98

ADDED OPTIONAL FLANGE	03/27/01
REVISION UPDATE	DATE