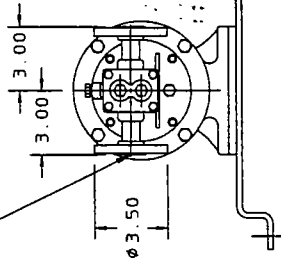
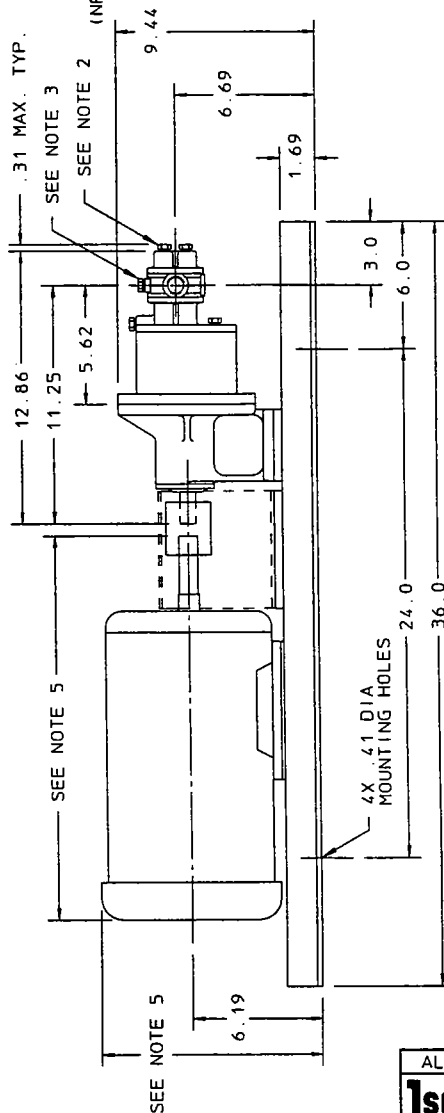
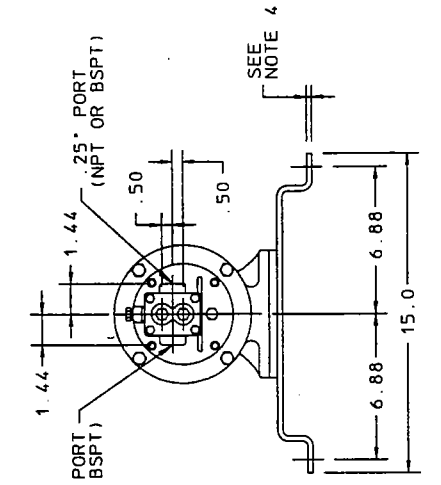


PORT CONNECTIONS  
50-150LB RF FLANGE WITH 4X  $\phi$ .62  
BOLT HOLES ON A  $\phi$ 2.38 BOLT CIRCLE.



VIEW WITH FLANGED  
CENTER HOUSING



NOTES:

1. SUCTION AND DISCHARGE PORTS ARE DEPENDENT UPON PUMP SHAFT ROTATION.
2. BEARING FLUSH AND DRAIN PLUGS (.12 NPT) ARE OPTIONAL.
3. VENT PLUG (.12 NPT) OPTIONAL.
4. MATERIAL THICKNESS:  
STEEL .25 THK.  
STAINLESS STEEL .19 THK.
5. MOTOR DIMENSIONS VARY BY MANUFACTURER. CONSULT MANUFACTURER'S DRAWING FOR SPECIFICS.

ALL DIMENSIONS ARE IN INCHES

**Isochem** **PULSAFEEDER**  
A Unit of DEX Corporation

MODEL GM2/GMC2  
MTD BASE AND PEDESTAL  
182-184T FRAME MOTORS

DWN BY: JEM JR  
DATE: 10/27/89

SD2676

REF	ADDED FLANGED VIEW	03/27/01
	REVISION UPDATE	DATE

SECTION/PAGE	MODEL GM2 / 305
EFFECTIVE	03/27/01
SUPERSEDES	04/01/98