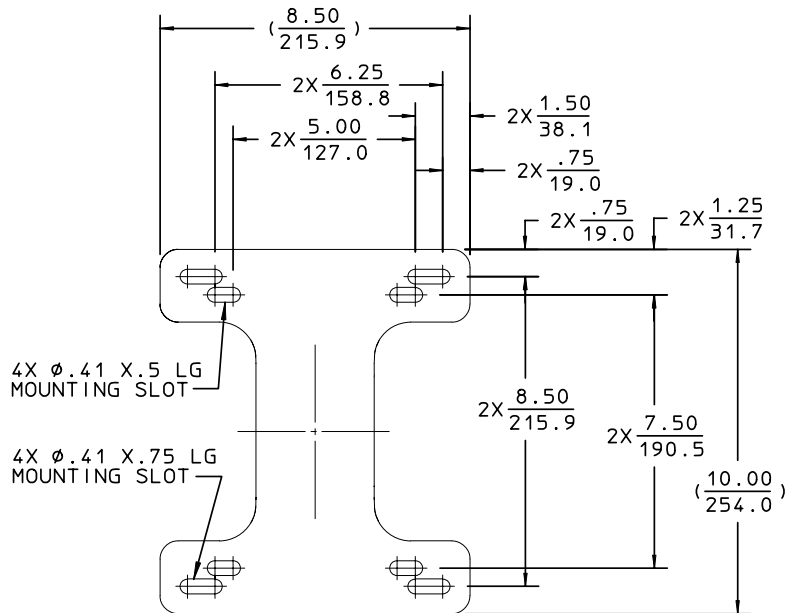


MOTOR FRAME		
DIM	NEMA 213-215TC 254-256TC	132 IEC
A	$\frac{15.77}{400.4}$	$\frac{15.54}{394.6}$
B	$\frac{2.00}{50.8}$	$\frac{1.77}{45.0}$

FLANGE	DIM A	DIM B
ANSI 1.5 RF 150 LB	.62 15.7	3.88 98.4
DIN 32 RF 10 BAR	.68 17.3	3.94 100.1
DIN 40 RF 10 BAR	.68 17.2	4.34 110.2



- NOTES:
- SUCTION AND DISCHARGE PORTS DEPENDENT UPON PUMP SHAFT ROTATION.
 - STANDARD MOTOR ADAPTOR PLATE FITS NEMA 56C, 143TC, 182TC, 184TC AND 100/112 METRIC FRAME MOTORS.
 - MUST USE C-FACE MOTORS OF SPECIFIED FRAME SIZES.
 - MOUNTING FOOT ONLY SUPPLIED FOR THE FOLLOWING FRAME SIZES: 56C, 143-145TC, 182-184TC, 100IEC, 112IEC. LARGER FRAME SIZES REQUIRE MOTOR FOOT MOUNTING, PUMP MOUNTING FOOT WILL NOT WORK

MOUNTING FOOT DIMENSIONS

SEE NOTE 4

ALL DIMENSIONS ARE IN INCH/MM
 A Unit of IDEX Corporation

**DIMENSIONAL DRAWING
ECLIPSE 75 & 125**

ADD MOTOR SIZING AND DIMENSIONS	07/28/08
REVISION UPDATE	DATE

SECTION/PAGE	ECLIPSE 75&125 / 101
EFFECTIVE	7/28/08
SUPERSEDES	6/23/05

DWN BY: JRY	SD-2978-000
DATE: 5/12/04	