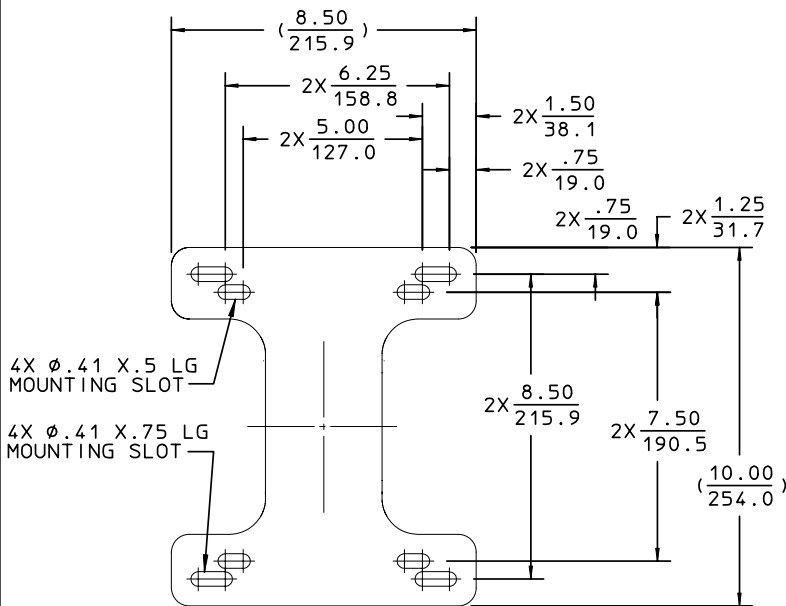


FLANGE	DIM "A"	DIM "B"
ANSI 1.0 RF 150 LB	.62 15.7	3.12 79.2
DIN 20 RF 10 BAR	.56 14.2	2.95 75.0
DIN 25 RF 10 BAR	.56 14.2	3.35 85.0

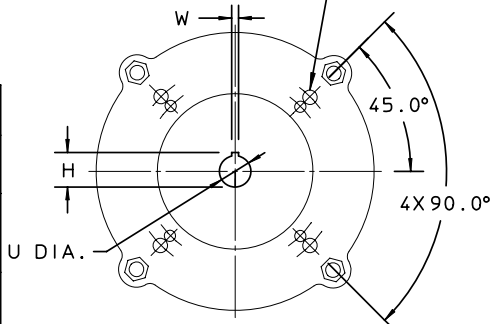


**MOUNTING FOOT  
DIMENSIONS**

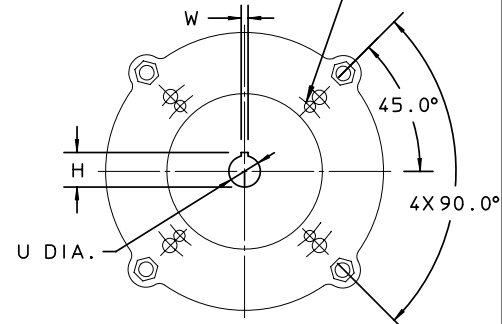
4X  $\phi$ .41/10.4 THRU.  
EQUALLY SPACED  
ON A  $\phi$ 5.88/149.3 B.C.

4X  $\phi$ .32/8.1 THRU.  
EQUALLY SPACED  
ON A  $\phi$ 5.12/130.0 B.C.

MOTOR FRAME	U DIA. SHAFT	W KEY WIDTH	H KEY HEIGHT
56C	.626 15.9	.188 4.7	.71 18.0
140TC	.876 22.2	.188 4.7	.96 24.5
180C			
100	1.10 28.0	.317 8.0	1.24 31.5
112			



**56-184C FR NEMA  
MOTOR MOUNTING**



**100,112 FR METRIC  
MOTOR MOUNTING**

- NOTES: 1. SUCTION AND DISCHARGE PORTS DEPENDENT UPON PUMP SHAFT ROTATION.
2. STANDARD MOTOR ADAPTOR PLATE FITS NEMA 56C, 143TC, 182C, 184C AND 100/112 METRIC FRAME MOTORS.
3. MUST USE C-FACE MOTORS OF SPECIFIED FRAME SIZES.

ALL DIMENSIONS ARE IN INCH/MM  
**Eclipse series** **PULSAFEEDER**  
A Unit of IDEX Corporation

DIMENSIONAL DRAWING  
ECLIPSE 25

SECTION/PAGE ECLIPSE 8 / 101

EFFECTIVE 6/23/05

SUPERSEDES 5/31/05

DWN BY: JRY

DATE: 5/12/04

SD-2977-000

$\Delta$  UPDATED PORT DESCRIPTIONS

6/23/05

REF REVISION UPDATE

DATE