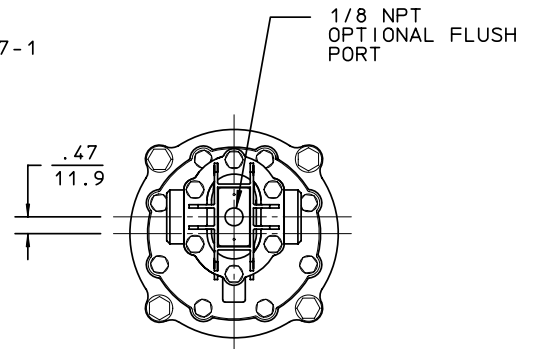
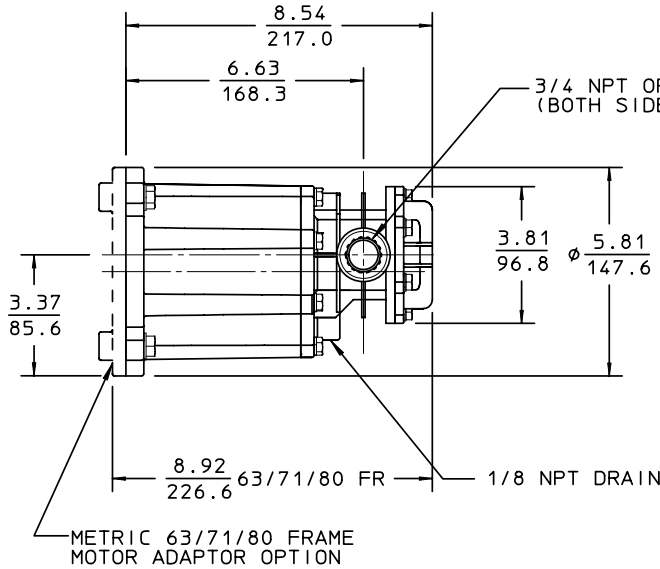
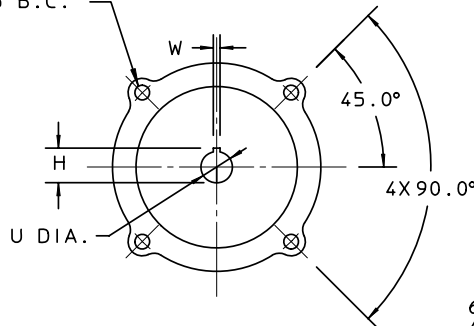


ANSI: .75"-150# RF
DIN: 15, 20

⚠ E12 WITH FLANGE ADAPTOR KIT: E12FX_



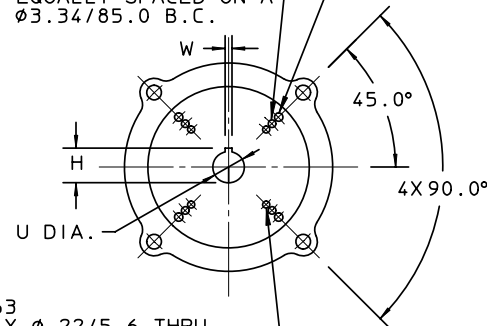
4X Ø.41/10.4 THRU.
EQUALLY SPACED
ON A Ø5.88/149.3 B.C.



**56C-184C FR NEMA
MOTOR MOUNTING**

80
4X Ø.25/6.3 THRU.
EQUALLY SPACED
ON A Ø3.94/100.1 B.C.

71
4X Ø.25/6.3 THRU.
EQUALLY SPACED ON A
Ø3.34/85.0 B.C.



**63-71-80 FR METRIC
MOTOR MOUNTING**

MOTOR FRAME	U DIA. SHAFT	W KEY WIDTH	H KEY HEIGHT
56C	.626 15.9	.188 4.7	.71 18.0
140TC	.876 22.2	.188 4.7	.96 24.5
180C			
63	.434 11.0	.159 4.0	.51 12.9
71	.551 14.0	.196 5.0	.64 16.0
80	.750 19.1	.237 6.0	.865 22.0

- NOTES:
- SUCTION AND DISCHARGE PORTS DEPENDENT UPON PUMP SHAFT ROTATION.
 - STANDARD MOTOR ADAPTOR FITS NEMA 56C, 143TC, 182C AND 184C FRAME MOTORS.
 - METRIC MOTOR ADAPTOR OPTION FITS 63, 71 AND 80 FRAME MOTORS.
 - MUST USE FOOT MOUNTED C-FACE MOTOR OF SPECIFIED FRAME SIZES.

ALL DIMENSIONS ARE IN INCH/MM
Eclipse series **PULSAFEEDER**
A Unit of IDEX Corporation

DIMENSIONAL DRAWING
ECLIPSE 12

DWN BY: PTP
DATE: 4/06/06

SD-2990-000

⚠	ADDED FLANGE ADAPTORS	12/21/07
REV	REVISION UPDATE	DATE

SECTION/PAGE	ECLIPSE 10/ 101
EFFECTIVE	12/21/07
SUPERSEDES	12/12/06