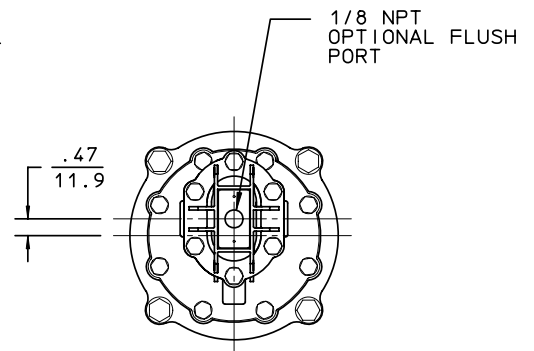
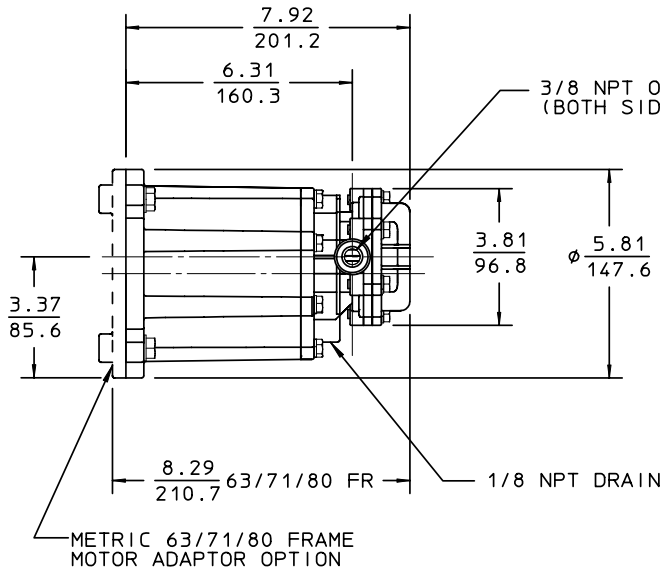


△ E05 WITH FLANGE ADAPTOR KIT: E05FX

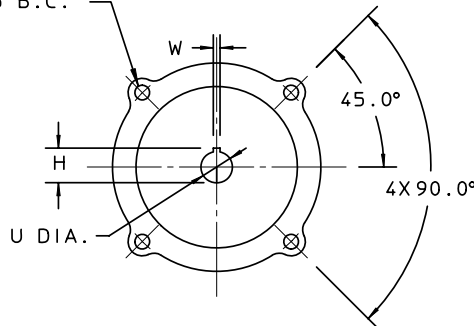


80
4X Ø .25/6.3 THRU.
EQUALLY SPACED
ON A Ø 3.94/100.1 B.C.

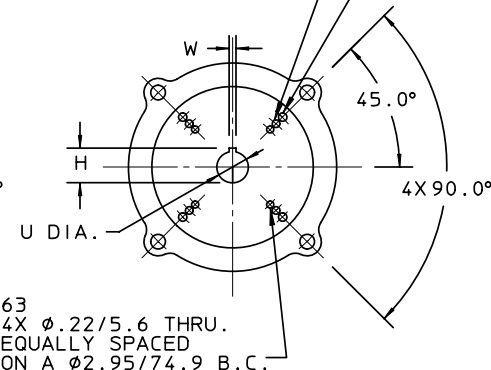
4X Ø .41/10.4 THRU.
EQUALLY SPACED
ON A Ø 5.88/149.3 B.C.

71
4X Ø .25/6.3 THRU.
EQUALLY SPACED ON A
Ø 3.34/85.0 B.C.

MOTOR FRAME	U DIA. SHAFT	W KEY WIDTH	H KEY HEIGHT
56C	.626 15.9	.188 4.7	.71 18.0
140TC	.876 22.2	.188 4.7	.96 24.5
180C			
63	.434 11.0	.159 4.0	.51 12.9
71	.553 14.0	.196 5.0	.64 16.0
80	.750 19.1	.237 6.0	.865 22.0



**56C-184C FR NEMA
MOTOR MOUNTING**



**63-71-80 FR METRIC
MOTOR MOUNTING**

- NOTES:
- SUCTION AND DISCHARGE PORTS DEPENDENT UPON PUMP SHAFT ROTATION.
 - STANDARD MOTOR ADAPTOR FITS NEMA 56C, 143TC, 182C AND 184C FRAME MOTORS.
 - METRIC MOTOR ADAPTOR OPTION FITS 63, 71 AND 80 FRAME MOTORS.
 - MUST USE FOOT MOUNTED C-FACE MOTOR OF SPECIFIED FRAME SIZES.

ALL DIMENSIONS ARE IN INCH/MM
Eclipse series **PULSAFEEDER**
A Unit of IDEX Corporation

DIMENSIONAL DRAWING
ECLIPSE 5

DWN BY: JRY
DATE: 5/12/04
SD-2976-000

SECTION/PAGE	ECLIPSE 3 / 101
EFFECTIVE	12/21/07
SUPERSEDES	6/23/05

△ ADDED FLANGE ADAPTORS	12/21/07
REF REVISION UPDATE	DATE