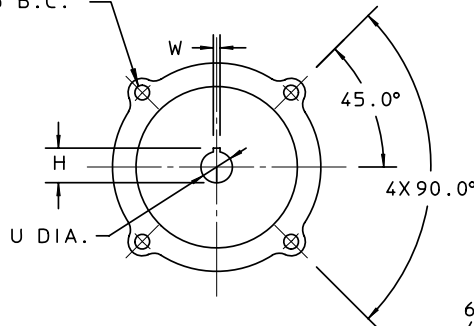


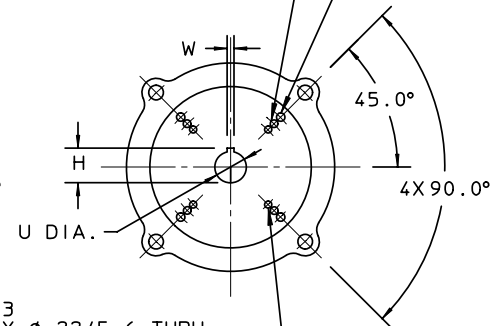
4X  $\phi$ .41/10.4 THRU.  
EQUALLY SPACED  
ON A  $\phi$ 5.88/149.3 B.C.



**56C-184C FR NEMA  
MOTOR MOUNTING**

80  
4X  $\phi$ .25/6.3 THRU.  
EQUALLY SPACED  
ON A  $\phi$ 3.94/100.1 B.C.

71  
4X  $\phi$ .25/6.3 THRU.  
EQUALLY SPACED  
ON A  $\phi$ 3.34/85.0 B.C.



63  
4X  $\phi$ .22/5.6 THRU.  
EQUALLY SPACED  
ON A  $\phi$ 2.95/74.9 B.C.

**63-71-80 FR METRIC  
MOTOR MOUNTING**

MOTOR FRAME	U DIA. SHAFT	W KEY WIDTH	H KEY HEIGHT
56C	.626 15.9	.188 4.7	.71 18.0
140TC	.876 22.2	.188 4.7	.96 24.5
180C			
63	.434 11.0	.159 4.0	.51 12.9
71	.553 14.0	.196 5.0	.64 16.0
80	.750 19.1	.237 6.0	.865 22.0

- NOTES:
- SUCTION AND DISCHARGE PORTS DEPENDENT UPON PUMP SHAFT ROTATION.
  - STANDARD MOTOR ADAPTOR FITS NEMA 56C, 143TC, 182C AND 184C FRAME MOTORS.
  - METRIC MOTOR ADAPTOR OPTION FITS 63, 71 AND 80 FRAME MOTORS.
  - MUST USE FOOT MOUNTED C-FACE MOTOR OF SPECIFIED FRAME SIZES.

ALL DIMENSIONS ARE IN INCH/MM  
**Eclipse series** **PULSAFEEDER**  
A Unit of IDEX Corporation

DIMENSIONAL DRAWING  
ECLIPSE 2

DWN BY: JRY  
DATE: 5/12/04  
SD-2975-000

SECTION/PAGE	ECLIPSE 2 / 101
EFFECTIVE	12/21/07
SUPERSEDES	3/11/05

ADDED 71 FRAME	12/21/07
REVISION UPDATE	DATE